

## DESCRIPTION

Replace existing fluorescent wraparound fixtures with these wattage and color selectable LED stairwell fixtures to reduce maintenance and energy costs. These fixtures also feature a built-in emergency backup, ensuring that the fixture operates during a power outage.

## FEATURES

- Efficiently replaces up to a 4 to 6 lamp fluorescent fixture
- Built in ultrasonic sensor allows light to automatically turn on when motion is detected and off again 1, 5, or 20 minutes after motion stops; See Ultrasonic Occupancy Sensor section for more information.
- Built-in emergency back-up operates fixture for at least 90 minutes in the event of a power failure; recharges in 12 hours
- Provides 1000 to 1500 lumens in emergency mode
- Automatically self-tests each month; indicated by built-in green indicator light
- Test switch is located on the front surface of the fixture
- Sensor detection range, time delays, and dimming level settings can be adjusted using the dip switches on the front of the fixture, see Sensor Setting Adjustment section for more information.
- Lumen output varies depending on the wattage and color temperature selected; see Selectable Chart for more information
- Wattage and color temperature are adjustable via switches on the driver

## LISTINGS

- UL rated for damp locations

## PERFORMANCE

- CRI: >80
- CCT: 3500K, 4000K and 5000K
- LED L70 Life Hours: >100,000 hours

## EMERGENCY OPERATION

- Operation: 90 minutes
- Charging Time: 12 Hours
- Input Voltage: 100-277VAC
- Output Power: 10W
- Output Lumens: 1000-1500

## THERMAL

- -4°F to 122°F (-20°C to 50°C) operating temperature

## ELECTRICAL

- THD: <20%
- Power Factor: >0.9
- Input Voltage: 120-277V
- Surge Protection: 2kV

## INSTALLATION

- Designed for surface mounting; see installation instructions for more details

project name	type
catalog number	
comments	voltage
approved by	date



## CONSTRUCTION

- Steel housing with white finish
- PMMA lens protects LEDs while evenly distributing light

## WARRANTY

- 5-year limited warranty; see [pltsolutions.com](http://pltsolutions.com) for warranty details

## APPLICATIONS

- Stairways
- Bathrooms
- Utility and Storage Areas
- Hallways

# PERFORMANCE SUMMARY

Item #	Watts*	CCT*	CRI	Dimming	Voltage	Replaces	Emergency Operation	Recharge Time	Emergency Operation Lumens	Default Settings	Length
PLT-90374	35/ 45/ 55	3500K/ 4000K/ 5000K	>80	No	120-277V	4 to 6 Lamp Fluorescent	90 Minutes	12 Hours	1200	55W, 5000K	4'

\* See Selectable Table for full breakdown

# SELECTABLE TABLE

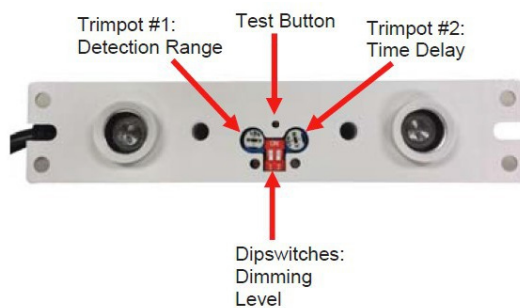
Wattage	CCT	Lumens	Efficacy
35	3500K	4445	127
	4000K	4480	128
	5000K	4515	129
45	3500K	5580	124
	4000K	5625	125
	5000K	5670	126
55	3500K	6655	121
	4000K	6710	122
	5000K	6765	123

# ULTRASONIC OCCUPANCY SENSOR

<b>Sensor Type</b>	Ultrasonic occupancy sensor
<b>Input Voltage   Current Consumption</b>	12-24VDC   45mA sensor
<b>0-10V Output</b>	100mA, up to 50LED sink drivers
<b>High</b>	Vin-2.5V 100mA source
<b>Low</b>	100mA sink current
<b>Mounting Height</b>	Fixture-Wall Mount or ceiling mount at 8-12ft (2.4-3.7m) high
<b>[Low/Med/High] MAX Range* (Wall Mounted)</b>	13ft (4.0m) / 18ft (5.5m) (Default Setting) / 35ft (10.7m)
<b>Time Delays</b>	1min (Default Setting), 5min, 20min
<b>Operating Temperature</b>	-22°F to 158°F (-30° C to 70°C)
<b>Storage Temperature</b>	-40°F to 176°F (-40° C to 80°C)
<b>Relative Humidity</b>	90-95% non-condensing at 86°F (30°C)
<b>Color</b>	White

\* Results may vary based on mounting height, angle, floor material, and light of sight

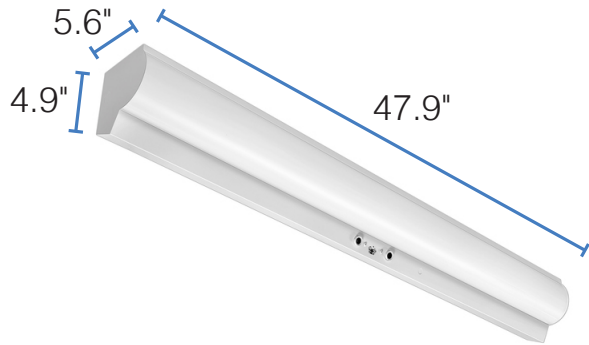
# SENSOR SETTINGS ADJUSTMENT



Dipswitch 1	Dipswitch 2	DIM Level
OFF	OFF	OFF (Default Setting)
OFF	ON	10%
ON	OFF	25%
ON	ON	50%

- Trimpot #1 on left adjusts motion detection range and sensitivity. Trimpot #2 on right adjusts time delay. Turn clockwise to increase, and counterclockwise to decrease.
- Test button sets the time delay to five seconds and runs for 5 minutes. The LED will flash 2 times to indicate that Test Mode has started. After 5 minutes (or push the Test Mode button again), the LED will flash 3 times. The sensors will then return to the selected Trimpot time delay setting.

# DIMENSIONS



## DIMENSIONS

Length: 47.9"

Height: 4.9"

Width: 5.6"

Weight: 8.05 lbs

# PHOTOMETRICS

