

# BLKFL24UC

Datasheet

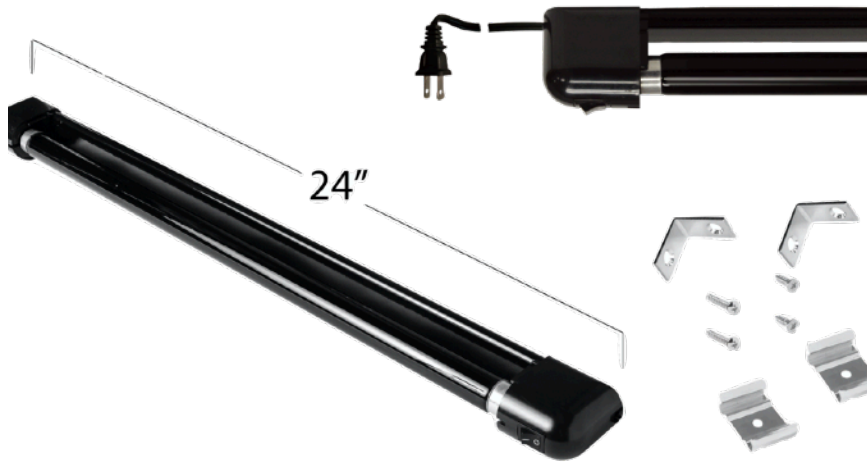
## Project Details

Project Name:

Fixture Schedule:

Project Number:

Notes:



## Physical Features

**Product Series:** tubul<sup>ARCH</sup> | Spec Grade  
**Description:** 24" Fluorescent Black Light  
**Regulatory:** UL Damp Location DLC  
**QPL Rebate:** Standard  
**Warranty:** 1 Year | 8,000 Hours

## Certifications



## Applications



Event Space



Residential

## Model Specifications

Model	Length (FT)	WATT	CCT	Type
BLKFL 24UC-1RM	2FT	17W	10000K	Fluorescent

## Product Warranty \*



1-Year



8,000 Hrs

\* Standard warranty. Extended warranty available.

## Key Features

- ✓ Steel And Polycarbonate Construction
- ✓ Instant-ON w/ No Visible Flicker
- ✓ Includes Mounting Accessories
- ✓ Universal Input Voltage: 120-277V
- ✓ 30FT Coverage Area
- ✓ Non-Dimmable Lighting
- ✓ Suitable For Enclosed, Dry And Damp Locations
- ✓ Easy Plug In Connection

### Ordering number example:

BLKFL 24UC-1RM

Please place dashes (-) in correct order.

### Choose your model specifications:

	BLK	FL	2	17W	10000K	
Model Series	Color	Lamp Type	Length	Wattage	CCT	Operation

# Installation Methods

Installation Method:	Configuration Diagrams
<p><b>Method 1:</b></p> <ol style="list-style-type: none"> <li>Secure the mounting brackets to the mounting surface with the screws provided per the following.</li> <li>Install the fluorescent black light into the mounting bracket. (1) Latch one side of the tube into the two brackets, then (2) latch the other side of the tube until fully secured.</li> </ol> <p>Fluorescent black light may be detached by using a small flat screwdriver between hooks and prying outward on the lamp.</p>	<p><b>1</b></p> <p><b>Front View Mounting Bracket</b></p> <p>12" Apart</p> <p>Brackets should Be in line with each other.</p> <p><b>2</b></p> <p>2</p> <p>1</p> <p><b>3. Tube into the lamps and lanterns rotate 90° after two card slots.</b></p>
<p><b>Method 2:</b></p> <ol style="list-style-type: none"> <li>Bracket and fixed bracket screw tightening.</li> <li>Secure the mounting brackets to the mounting surface with the screws</li> <li>Install the fluorescent black light into the mounting bracket. (1) Latch one side of the tube into the two brackets, then (2) latch the other side of the tube until fully secured.</li> </ol> <p>Fluorescent black light may be detached by using a small flat screwdriver between hooks and prying outward on the lamp.</p>	<p><b>1</b></p> <p><b>Front View Mounting Bracket</b></p> <p>12" Apart</p> <p>Screws 1</p> <p>Screws 2</p> <p>Brackets should Be in line with each other.</p> <p><b>2</b></p> <p>2</p> <p>1</p> <p><b>4. Tube into the lamps and lanterns rotate 90° after two card slots.</b></p>