

LEDVANCE T8 INSTANT START UNV

Low and Normal Ballast Factor Models

120-277 Voltage High Efficiency Systems

LHE T8 UNV Gear Guide

T8 Ballast 120-277V ISN and ISL:

- 2-lamp
- 3-lamp
- 4-lamp

Operates 32W T8, FBO32, FBO31, FBO24, F017, FBO16, F030/SS, F030/SS(30W), FBO29/SS (29W), F028/SS (28W) and F025/WW (25W), as well as F17, F25, F32, the U-bend and Energy Saving equivalents.

F40T8 operation:

- 1 lamp on 2L ballast
- 2 lamps on 3L ballast
- 3 lamps on 4L ballast

Click here to get the latest Ballast Compatibility Chart.

Application Information

LEDVANCE High Efficiency ballasts are ideally suited for:

- Commercial and retail
- Hospitality and institutional
- New construction



Ordering Information

Item Number	Description	# of Lamps	Primary Lamp (W)	Lamp family	Line Voltage	Starting Method	Ballast Factor	Case Size	Packaging
75861	LHE2X32T8UNVISNSCB	2	32	T8	UNV	IS	N	Small	10/CS 1/SKU
75862	LHE3x32T8UNVISNSCB	3	32	T8	UNV	IS	N	Small	10/CS 1/SKU
75863	LHE4X32T8UNVISNSCB	4	32	T8	UNV	IS	N	Small	10/CS 1/SKU
75864	LHE2X32T8UNVISLSCB	2	32	T8	UNV	IS	L	Small	10/CS 1/SKU
75865	LHE3x32T8UNVISLSCB	3	32	T8	UNV	IS	L	Small	10/CS 1/SKU
75866	LHE4X32T8UNVISLSCB	4	32	T8	UNV	IS	L	Small	10/CS 1/SKU

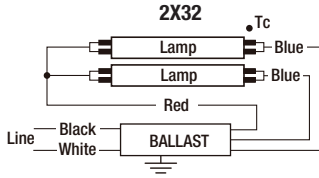
Efficiency

Item Number	Description	Input Current (AMPS)	Lamp Type	Rated Lumens (lm)	No. of Lamps	Ballast Factor (BF)	System Lumens (lm)	Mean Lumens (lm)	Input Power (W)	System Efficacy (lm/W)	BEF*
High Efficiency Normal Ballast Factor (0.88)											
75861	LHE2X32T8UNVISNSCB	0.19	F032/841	2800	2	0.88	4925	5500	53	97	1.57
		0.19	F032/XP	3000	2	0.88	5280	4965	54	97	1.57
75862	LHE3x32T8UNVISNSCB	0.3	F032	2800	3	0.88	4925	8250	81	97	1.05
		0.29	F032/XP	3000	3	0.88	7920	7445	80	97	1.05
75863	LHE4X32T8UNVISNSCB	0.28	F032/841	2800	4	0.88	9855	8870	104	97	0.80
		0.39	F032/XP	3000	4	0.88	10560	9925	105	97	1.07
High Efficiency Low Ballast Factor (0.78)											
75864	LHE2X32T8UNVISLSCB	0.17	F032/841	2800	2	0.78	4150	3825	48	97	1.60
		0.18	F032/XP	3000	2	0.78	4680	4400	50	97	1.56
75865	LHE3x32T8UNVISLSCB	0.23	F032/841	2800	3	0.78	6150	5700	73	97	1.05
		0.27	F032/XP	3000	3	0.78	7020	6600	73	97	1.06
75866	LHE4X32T8UNVISLSCB	0.36	F032/841	2800	4	0.78	8150	7500	98	97	0.80
		0.35	F032/XP	3000	4	0.78	9360	8800	96	97	0.80

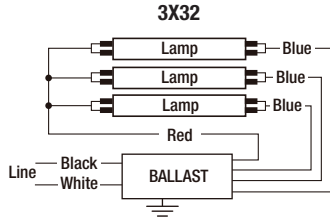
*Ballast Efficiency Factor (BEF) shown = (Ballast Factor x 100) divided by Input Power 277V 60Hz data



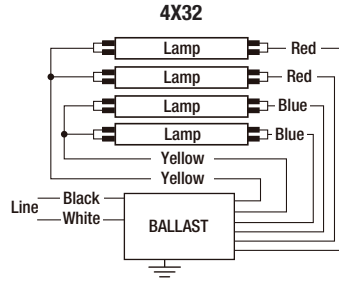
Wiring Diagrams



Note: For one lamp application, cap any blue lead. Insulate to 600 volts.



Note: For two lamp application, cap any blue lead. Insulate to 600 volts.



Note: For three lamp application, cap any blue lead. Insulate to 600 volts.

Dimensions:

Enclosure size: 2x

Overall: 9.5" L x 1.2" W x 0.9" H
(241mm L x 31mm W x 23mm H)
Mounting: 8.90" (226mm)

Packaging:

Quantity: 10-pack
Weight: 0.7 lbs. each (approx.)

Wiring:

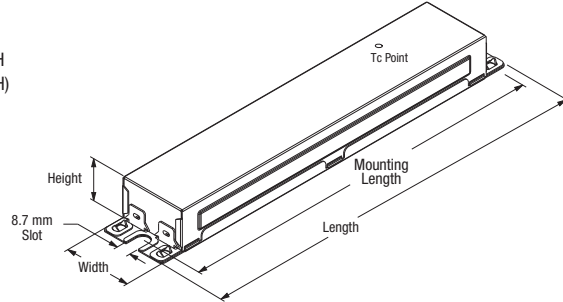
Leads only
(no connectors provided)

Enclosure size: 3x and 4x

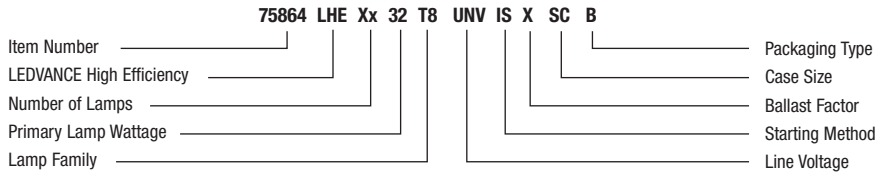
Overall: 9.5" L x 1.3" W x 1.1" H
(241mm L x 33mm W x 28mm H)
Mounting: 8.90" (226mm)

Packaging:

Quantity: 10-pack
Weight: 1.1 lbs. each (approx.)



Ordering Guide



Specification Data

Type	
Catalog #	
Project	
Comments	
Prepared by	

Performance Guide

Data based on fluorescent lamps shown. LHE Instant Start ballasts are also compatible with other lamp manufacturers' equivalent lamp types that meet ANSI specifications.

Specifications

Starting Method: Instant Start
Ballast Factor: 0.78-0.88
Circuit Type: Parallel
Lamp Frequency: >42kHz
Input Frequency: 50/60 Hz
Low THD: <10%
Power Factor: >97%
Voltage Range: ±10% rated input

Operating Temperatures

Starting Temperature:¹
0°F (-18°C) for T8 Lamps
32°F (0°C) for Supersaver T8 lamps
0°F (-18°C) for FOT8 lamps
Case Temp: 194°F (90°C) Max
Max Ambient Temp.: 131°F (55°C)

Product Ratings

UL Listed Class P, Type 1, Outdoor, CEC, NRCAN
FCC Part 18 Non-Consumer
Class A Sound Rating
ANSI C62.41 Cat. A Transient Protection
RoHS Compliant²
No PCBs

¹ Operation below 50°F (10°C) may affect light output or lamp operation – see "Low Temp. Starting" definition
² Complies with European Union Restriction of Hazardous Substances (Directive 2002/95/EC)

Installation Notes

- Ground ballast case
- Install in accordance with the National Electrical Code
- Remote Mounting: 18ft. max lead length 18AWG

System Life/Warranty

LEDVANCE ballasts carry a five-year warranty from date of manufacture. For additional details, check out the latest Warranty Bulletin on our website, ledvanceUS.com.

LEDVANCE LLC
181 Ballardvale Street, Suite 203
Wilmington, MA 01887 USA
Phone 1-800-LIGHTBULB (1-800-544-4828)
www.ledvanceUS.com

SYLVANIA and LEDVANCE are registered trademarks.
All other trademarks are those of their respective owners.
Licensee of product trademark SYLVANIA in general lighting.
Specifications subject to change without notice.
Products distributed by LEDVANCE LLC.

/sylvania /sylvania

