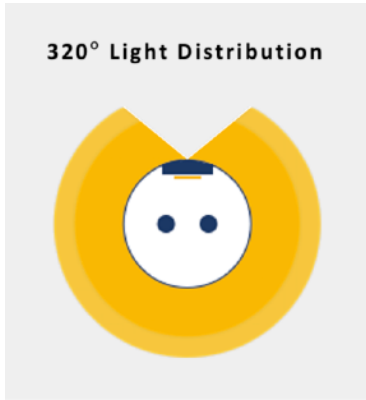


Project Name:	Fixture Schedule:	Product Number:	Notes:
---------------	-------------------	-----------------	--------



<b>Product Series:</b>	TUBULARCH   SPEC GRADE
<b>Lamp Type:</b>	LED smarT8 Dual Mode   Type A+B
<b>Base Type:</b>	G13 Medium Bi-Pin, FA8 & R17d (8FT)
<b>Wattage Equivalent:</b>	17W (2FT)   25W (3FT)   32W (4FT)   59W (8FT)
<b>CCT Options:</b>	3000K   3500K   4100K   5000K
<b>Operating Temperature:</b>	-4°F to 113°F
<b>Regulatory:</b>	UL Damp Location
<b>QPL Rebate:</b>	DLC Standard
<b>Warranty<sup>1</sup>:</b>	7 Years   50,000 Hours



### KEY FEATURES

✓ Full Length Glass Lens With 320° Light Distribution	✓ Compatible to shunted and/or non-shunted lamp holders
✓ Uniform, End To End Light Output W/ Zero Pixelation	✓ Dimmable When Used With Compatible Dimming Ballast
✓ smarT8: Compatible To Ballast (UL-A) and Bypass (UL-B)	✓ Suitable For Enclosed, Dry And Damp Locations
✓ Bypass (UL-B) May Be Single-Ended Or Doubled-Ended	✓ All Glass Construction w/ PET Coating for Shatterproof (Polyethylene Terephthalate) — Meets NSF Standards for Food Safety

### PERFORMANCE SUMMARY

MODELS	LENGTH	BARE WATT   LUMEN*	CCT[xx]	LISTING	WARRANTY	CTN QTY
LT8F208xxU5	2FT	8W   1200LM	30-35-41-5000K	UL   DLC	7 Years - 50,000Hrs	25
LT8F312xxU5	3FT	12W   1600LM	30-35-41-5000K	UL   DLC	7 Years - 50,000Hrs	25
LT8F410xxU5	4FT	10W   1700LM	30-35-40-5000K	UL   DLC	7 Years - 50,000Hrs	25
LT8F412xxU5	4FT	12W   1800LM	30-35-41-5000K	UL   DLC	7 Years - 50,000Hrs	25
LT8F415xxU5	4FT	15W   2300LM	30-35-41-5000K	UL   DLC	7 Years - 50,000Hrs	25
LT8F842xxU5	8FT	42W   5500LM	30-35-41-5000K	UL   DLC	7 Years - 50,000Hrs	25

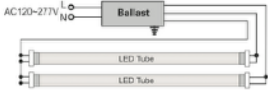
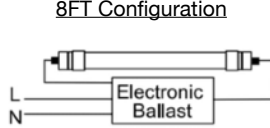
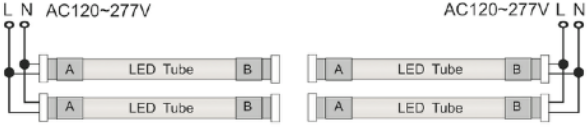
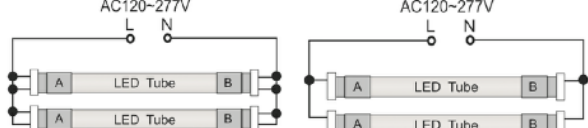

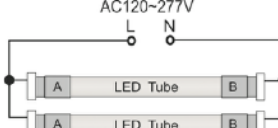

\* NOTE: Please refer to PERFORMANCE SPECIFICATIONS on page 2 for detailed performance.



## ORDERING GUIDE

MODEL NUMBERS	FAMILY	LAMP TYPE	LENGTH	WATTAGE	CCT	OPERATION
<b>2FT</b>						
LT8F20830U5 LT8F20835U5 LT8F20841U5 LT8F20850U5	LT   Linear Tube	8F   T8 Frosted	2   2FT	08   8W	30   3000K 35   3500K 41   4100K 50   5000K	U5   Universal A+B
<b>3FT</b>						
LT8F31230U5 LT8F31235U5 LT8F31241U5 LT8F31250U5	LT   Linear Tube	8F   T8 Frosted	3   3FT	12   12W	30   3000K 35   3500K 41   4100K 50   5000K	U5   Universal A+B
<b>4FT</b>						
LT8F41030U5 LT8F41035U5 LT8F41040U5 LT8F41050U5	LT   Linear Tube	8F   T8 Frosted	4   4FT	10   10W	30   3000K 35   3500K 40   4000K 50   5000K	U5   Universal A+B
LT8F41230U5 LT8F41235U5 LT8F41241U5 LT8F41250U5	LT   Linear Tube	8F   T8 Frosted	4   4FT	12   12W	30   3000K 35   3500K 41   4100K 50   5000K	U5   Universal A+B
LT8F41530U5 LT8F41535U5 LT8F41541U5 LT8F41550U5	LT   Linear Tube	8F   T8 Frosted	4   4FT	15   15W	30   3000K 35   3500K 41   4100K 50   5000K	U5   Universal A+B
<b>8FT</b>						
LT8F84230U5 LT8F84235U5 LT8F84241U5 LT8F84250U5	LT   Linear Tube	8F   T8 Frosted	8   8FT	42   42W	30   3000K 35   3500K 41   4100K 50   5000K	U5   Universal A+B

## INSTALLATION METHODS

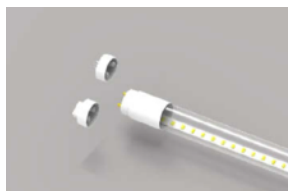
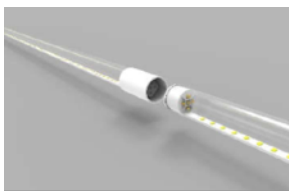
INSTALLATION TYPE	CONFIGURATION DIAGRAM
<p><b>Ballast Compatible (UL-A)</b></p> <p>Make sure the ballast is on the compatible list. If the ballast you intend on using is not on the list, you may choose to use ballast bypass mode shown below.</p>	 <p style="text-align: right;"><b>8FT Configuration</b></p> 
<p><b>Bypass Single-Ended (UL-B)</b></p> <p>Make sure to use non-shunted lampholder for use to connect to the powered end.</p>	 
<p><b>Bypass Double-Ended (UL-B)</b></p> <p>May be wired as bi-pin powered or single-pin powered as shown in the configuration diagram to the right.</p>	  <p style="text-align: right;"><b>8FT Configuration</b></p> 



### DLC MODEL GUIDE & PERFORMANCE SPECIFICATIONS

MODEL NUMBERS	DLC PRODUCT ID	BARE LAMP (UL-B) SYSTEM (UL-A) (W)	BARE LUMEN	LAMP EFFICACY	CCT	CRI	PF	INPUT VOLTAGE
<b>2FT</b>								
LT8F20830U5 LT8F20835U5 LT8F20841U5 LT8F20850U5	PLDL5HI6SAAY PLZP13VB1KSP PLWMCS67VN2I PLV6UYFLV1CV	8W   9.8W	1181LM 1190LM 1195LM 1205LM	148LM/W 149LM/W 149LM/W 151LM/W	3000K 3500K 4100K 5000K	≥83	≥0.90	120-277V 50/60Hz
<b>3FT</b>								
LT8F31230U5 LT8F31235U5 LT8F31241U5 LT8F31250U5	PL6WQDOQ37ZU PL09YA2SA7VP PLJGHFEGWWD5 PLN4Y3JENDNE	12W   13.9W	1560LM 1571LM 1583LM 1605LM	130LM/W 131LM/W 132LM/W 134LM/W	3000K 3500K 4100K 5000K	≥83	≥0.90	120-277V 50/60Hz
<b>4FT</b>								
LT8F41030U5 LT8F41035U5 LT8F41040U5 LT8F41050U5	PWPKGGSV P8REX8Y5 PO3Z441E PSK3Y62O	10W   11.9W	1650LM 1670LM 1685LM 1705LM	165LM/W 167LM/W 169LM/W 170LM/W	3000K 3500K 4000K 5000K	≥83	≥0.90	120-277V 50/60Hz
LT8F41230U5 LT8F41235U5 LT8F41241U5 LT8F41250U5	PLKY4RZSXFYJ PLBEWHEEUT7Z PLRFPMSKXZ4B PLPKPSNAD4PA	12W   14W	1747LM 1750LM 1800LM 1800LM	146LM/W 146LM/W 150LM/W 150LM/W	3000K 3500K 4100K 5000K	≥83	≥0.90	120-277V 50/60Hz
LT8F41530U5 LT8F41535U5 LT8F41541U5 LT8F41550U5	PLVODXLQ2UUN PLOOTWB169EK PL9Z033CTLZC PLIFE98KD1ZN	15W   17.3W	2215LM 2260LM 2280LM 2300LM	148LM/W 151LM/W 152LM/W 153LM/W	3000K 3500K 4100K 5000K	≥83	≥0.90	120-277V 50/60Hz
LT8F84230U5 LT8F84235U5 LT8F84241U5 LT8F84250U5	PLQGGP4PGZA9 PLE8FPC83T8S PL9EZRLWCHW8 PL5Z47CO8GOP	42W   44.8W	5984LM 6000LM 6000LM 6000LM	143LM/W 143LM/W 143LM/W 143LM/W	3000K 3500K 4100K 5000K	≥83	≥0.90	120-277V 50/60Hz

### 8FT KEY FEATURES & SPECIFICATION



Combine 2-Separate 4Ft Halves For 8Ft Tube

Extend From Standard G13 Endcap

Optional FA8 Endcap Adaptor

Optional R17d Endcap Adaptor

Current Leakage Protection: UL1993

Easy to Pick/Pack/Ship

Constant Power Output

Prevents Dead Pixels

Eases Inventory Control

Comes With Clipholder

TUBULAR<sup>ARCH</sup> | T8 LINEUP COMPARISON CHART

K5-Series (UL-A)				DE5-Series (UL-B)				U5-Series (UL-A and UL-B)			
CCT		→	Part Number	CCT		→	Part Number	CCT		→	Part Number
2FT											
8W								3000K	→	LT8F20830U5	
								3500K	→	LT8F20835U5	
								4100K	→	LT8F20841U5	
								5000K	→	LT8F20850U5	
3FT											
12W								3000K	→	LT8F31230U5	
								3500K	→	LT8F31235U5	
								4100K	→	LT8F31241U5	
								5000K	→	LT8F31250U5	
4FT											
10W				3000K	→	LT8F41030DE5		3000K	→	LT8F41030U5	
				3500K	→	LT8F41035DE5		3500K	→	LT8F41035U5	
				4100K	→	LT8F41041DE5		4100K	→	LT8F41041U5	
				5000K	→	LT8F41050DE5		5000K	→	LT8F41050U5	
12W	3000K	→	LT8F41230K5	3000K	→	LT8F41230DE5		3000K	→	LT8F41230U5	
	3500K	→	LT8F41235K5	3500K	→	LT8F41235DE5		3500K	→	LT8F41235U5	
	4100K	→	LT8F41241K5	4100K	→	LT8F41241DE5		4100K	→	LT8F41241U5	
	5000K	→	LT8F41250K5	5000K	→	LT8F41250DE5		5000K	→	LT8F41250U5	
15W				3000K	→	LT8F41530DE5		3000K	→	LT8F41530U5	
				3500K	→	LT8F41535DE5		3500K	→	LT8F41535U5	
				4100K	→	LT8F41541DE5		4100K	→	LT8F41541U5	
				5000K	→	LT8F41550DE5		5000K	→	LT8F41550U5	
18W				3000K	→	LT8F41830DE5					
				3500K	→	LT8F41835DE5					
				4100K	→	LT8F41841DE5					
				5000K	→	LT8F41850DE5					
8FT											
42W								3000K	→	LT8F84230U5	
								3500K	→	LT8F84235U5	
								4100K	→	LT8F84241U5	
								5000K	→	LT8F84250U5	



**BALLAST COMPATIBILITY LIST: 2FT, 3FT, & 4FT**

MODEL	BRAND	BALLAST TYPE	LAMP QTY	INPUT VOLTAGE (Vac)	INPUT CURRENT (mA)	INPUT WATTAGE (W)	OUTPUT VOLTAGE (Vdc)	OUTPUT CURRENT (mA)	OUTPUT WATTAGE (W)	POWER FACTOR
GE432MAXPH/ULTRA	UltraMax P-Series	Instant Start	1	120	251	30.47	67.77	296	20	0.984
				277	164	31.96	68.2	303	20.64	0.675
			4	120	558	67.75	65.96	205.4	13.54	0.996
				277	272	66.84	65.82	205.4	13.52	0.89
GE332-MVPS-XL	ULTRASTART T8	Program Start	1	120	128	15.25	63.8	120	7.65	0.965
				277	85	16.18	63.89	119.9	7.66	0.68
			3	120	219	26.73	63.12	96.66	6.1	0.993
				277	116	27.06	63.08	96.56	6.09	0.842
GE332-MVPS-L	ULTRASTART T8	Program Start	1	120	142	16.96	64.65	152.5	9.84	0.986
				277	81	17.81	64.85	152.7	9.9	0.789
			3	120	254	30.53	63.74	117.1	7.46	0.995
				277	121	30.67	63.69	117	7.45	0.908
BAF232PS/MV	Plusrite RoHs	Program Start	2	120	298	35.05	65.57	152.1	11.94	0.998
BAF232IS/MV		Instant Start	1	120	152	18.04	65.97	193.2	12.74	0.991
				277	79	18.53	66.19	193.4	12.79	0.845
			2	120	221	26.41	65.08	155.8	10.14	0.995
				277	101	26.43	65.2	155.9	10.16	0.939
BAF332IS/MV		Instant Start	1	120	170	20.21	66.41	203.7	13.52	0.99
				277	89	20.63	66.54	204	13.56	0.838
			3	120	315	27.82	65.37	157	10.25	0.997
				277	145	37.56	65.35	157	10.25	0.933
BAF432IS/MV		Instant Start	1	120	198	23.13	66.38	219.7	14.58	0.984
				277	108	24.05	66.67	221	14.72	0.798
			4	120	442	51.77	64.92	155.2	10.07	0.996
	277			198	50.89	64.81	154.9	10.04	0.934	
KTEB-432-UV-IS-N-P	KEYSTONE	Instant Start	1	120	199	23.57	66.77	224	14.93	0.983
				277	110	24.3	66.54	224	14.83	0.796
			4	120	418	51	64.78	154.7	10.02	0.996
				277	200	51.5	64.85	155	10.04	0.929
KTEB-432RIS-1-TP-SL		Instant Start	1	120	129	18.45	64.89	160.3	10.37	0.889
			4	120	250	33.1	63.47	107.3	6.87	0.924
KTEB-332-UV-IS-N-P		Instant Start	1	120	193	21.97	66.25	199.7	13.22	0.992
				277	90	22.52	66.04	199.4	13.16	0.901
	4		120	323	38.9	64.73	151.1	9.78	0.997	
			277	149	39.4	64.83	151.5	9.81	0.953	
KTEB-232RIS-1-TP-SLJ	Instant Start	1	120	288	20.33	66.46	204.3	13.57	0.58	
		2	120	391	28.7	65.2	166	10.82	0.604	



MODEL	BRAND	BALLAST TYPE	LAMP QTY	INPUT VOLTAGE (Vac)	INPUT CURRENT (mA)	INPUT WATTAGE (W)	OUTPUT VOLTAGE (Vdc)	OUTPUT CURRENT (mA)	OUTPUT WATTAGE (W)	POWER FACTOR
KTEB-232-UV-IS-N-P		Instant Start	1	120	160	19.2	65.94	192.4	12.68	0.993
				277	75	19.12	65.76	192	13.62	0.926
			2	120	220	26.68	64.74	154.5	10	0.996
				277	102	26.88	64.78	154.6	10.01	0.956
40155-SU-SB/232/MV	SUNLITE	Instant Start	1	120	151	18.27	66	196	12.93	0.995
				277	79	18.56	65.85	195.5	12.87	0.851
			2	120	220	26.53	64.91	160	10.39	0.998
				277	103	26.78	65	160.2	10.41	0.944
PES120ET5-E120T2	PES	Instant Start	1	120	350	23.72	68.15	394.8	20.9	0.571
2			120	442	23.04	66.38	217.5	14.43	0.579	
PES120ET8-12SMT-4		Instant Start	1	120	1.337	111.8	77.4	929	71.94	0.691
			4	120	1.143	94.87	67.72	274.8	18.61	0.684
GE132MAX-H/Ultra	ULTRAMAX T8	Instant Start	1	120	157	19	66.45	217.2	14.43	0.994
277				76	19.33	66.77	217.5	14.49	0.92	
GE132MAX-H/ULTRA		Instant Start	1	120	143	17.3	66.19	200.5	13.27	0.996
				277	69	17.41	66	201	13.27	0.912
GE132MAX-G-N		Instant Start	1	120	147	17.36	65.9	201.5	13.28	0.995
				277	70	17.65	66.16	200	13.28	0.904
GE132-MVPS-H		Program Start	1	120	171	20.58	66.45	224.5	14.9	0.996
				277	81	20.9	66.7	225.4	15.02	0.931
GE-132-MV-PS-L		Program Start	1	120	103	12.3	63.86	118.2	7.55	0.99
				277	54	12.56	63.77	118.2	7.54	0.837
GE232-120RES-B		Instant Start	1	120	253	17.6	65.96	183.1	12.07	0.569
			2	120	358	26.1	65.07	155.2	10.1	0.598
GE232MAX-L/ULTRA		Instant Start	1	120	132	16.04	65.16	164.7	10.73	0.992
				277	65	16.25	65	164.3	10.68	0.892
			2	120	238	28.97	66.55	235.7	15.68	0.997
				277	109	29.03	66.77	236.3	15.77	0.959
GE232-MVPS-L	Program Start	1	120	126	15.31	64.57	147.1	9.49	0.991	
			277	65	15.82	64.7	147.7	9.54	0.871	
		2	120	187	22.74	64.1	126.9	8.13	0.995	
			277	88	22.96	64	126.4	8.08	0.933	
GE232-MVPS-N	Program Start	1	120	159	18.92	65.28	180.8	11.8	0.992	
			277	80	19.5	65.26	180.7	11.79	0.884	
		2	120	222	27.05	64.55	151.4	9.77	0.995	
			277	107	27.55	64.57	151.5	9.78	0.928	
GE232-MV-PS-N	Program Start	1	120	152	18.23	65.6	184.9	12.13	0.996	
			277	74	18.6	64.77	185.2	12.17	0.929	
		2	120	219	26.17	64.74	150.9	9.77	0.998	
			277	98	25.92	64.66	150.8	9.75	0.958	



MODEL	BRAND	BALLAST TYPE	LAMP QTY	INPUT VOLTAGE (Vac)	INPUT CURRENT (mA)	INPUT WATTAGE (W)	OUTPUT VOLTAGE (Vdc)	OUTPUT CURRENT (mA)	OUTPUT WATTAGE (W)	POWER FACTOR
GE132MAXP-L/ULTRA	UltraMax P-SeriesT8	Instant Start	1	120	153	17.8	64.8	148.9	9.64	0.995
			1	277	72	18.02	64.68	148.6	9.61	0.904
GE-232-MV-N		Instant Start	1	120	147	17.62	65.62	186	12.21	0.99
				277	72	18.34	65.82	186.6	12.27	0.917
			2	120	212	25.44	64.68	151.1	9.77	0.994
				277	97	25.48	64.62	151	9.75	0.95
GE332MAXP-L/ULTRA		Instant Start	1	120	164	19.77	65.38	179.3	11.71	0.99
				277	92	20.33	65.55	180.7	11.83	0.793
			3	120	300	36.24	64.29	137.2	8.82	0.996
				277	141	35.84	64.23	136.8	8.78	0.921
GE332MAX-G-N-DIYB		Instant Start	1	120	173	20.25	65.83	197.4	12.98	0.991
				277	88	21.27	66.09	198.2	13.06	0.87
			3	120	328	38.80	64.83	150.8	9.77	0.996
				277	145	38.52	64.69	150.5	9.74	0.952
GE332MAX-G-N		Instant Start	1	120	172	20.45	65.92	200	13.18	0.99
				277	90	21.45	66.1	200.7	13.26	0.869
	3		120	325	38.5	64.84	154.4	10	0.996	
			277	143	38.2	64.72	154.1	9.98	0.948	
GE332MAX-G-H	Instant Start	1	120	247	29.17	68	287.4	19.46	0.993	
			277	118	29.82	67.66	286.3	19.36	0.912	
		3	120	429	52.56	66.13	209.9	13.87	0.997	
			277	198	53.32	66.22	210	13.91	0.972	
GE332MAXP-N/ULTRA	Instant Start	1	120	179	21.83	66.09	211.1	13.94	0.986	
			277	93	22.81	66.26	211.8	14.03	0.886	
		3	120	331	40.5	64.74	152.6	9.87	0.993	
			277	151	39.89	64.45	152.4	9.84	0.949	
GE332MAXP-H-42T	Instant Start	1	120	277	33	68.3	323	22	0.993	
			277	134	34.37	68.75	30	22.63	0.929	
		3	120	507	59.65	66.37	230	15.26	0.997	
			277	222	58.62	66.29	229.1	15.18	0.97	
GE432MAXP-L/ULTRA	Instant Start	1	120	170	20.3	65.58	191.8	12.57	0.984	
			277	101	20.98	65.78	192.8	12.67	0.744	
		4	120	380	45.27	64.26	134.9	8.66	0.995	
			277	170	44.8	64.18	134.5	8.63	0.942	
GE432MAXP-H/ULTRA	Instant Start	1	120	276	32.02	68.4	321	21.83	0.991	
			277			68.44	320	21.7		
		4	120	595	70	66.12	211.6	13.98	0.997	
			277	252	68.61	65.94	210.6	13.88	0.985	
VEL30BN-2C-10V	ESPEN	DIMMABLE								
VEL30BN-2C-10V (White)		DIMMABLE								



MODEL	BRAND	BALLAST TYPE	LAMP QTY	INPUT VOLTAGE (Vac)	INPUT CURRENT (mA)	INPUT WATTAGE (W)	OUTPUT VOLTAGE (Vdc)	OUTPUT CURRENT (mA)	OUTPUT WATTAGE (W)	POWER FACTOR		
QTP 2x32T8/UNV ISN-SC	SYLVANIA	Instant Start	1	120	147	17.62	65.62	186	12.21	0.99		
				277	72	18.34	65.82	186.6	12.27	0.917		
			2	120	212	25.44	64.68	151.1	9.77	0.994		
				277	97	25.48	64.62	151	9.75	0.95		
QTP 4x32T8/UNV ISN-SC		SYLVANIA	Instant Start	1	120	193	21.97	66.25	199.7	13.22	0.992	
					277	90	22.52	66.04	199.4	13.16	0.901	
				4	120	323	38.9	64.73	151.1	9.78	0.997	
					277	149	39.4	64.83	151.5	9.81	0.953	
ICN-2P32-N	Advance		Instant Start	1	120	147	17.62	65.62	186	12.21	0.99	
					277	72	18.34	65.82	186.6	12.27	0.917	
				2	120	212	25.44	64.68	151.1	9.77	0.994	
					277	97	25.48	64.62	151	9.75	0.95	
ICN-2S40-N		Advance	Instant Start	1	120	147	17.62	65.62	186	12.21	0.99	
					277	72	18.34	65.82	186.6	12.27	0.917	
				2	120	212	25.44	64.68	151.1	9.77	0.994	
					277	97	25.48	64.62	151	9.75	0.95	
ICN-4P32-N	Advance		Instant Start	1	120	193	21.97	66.25	199.7	13.22	0.992	
					277	90	22.52	66.04	199.4	13.16	0.901	
				4	120	323	38.9	64.73	151.1	9.78	0.997	
					277	149	39.4	64.83	151.5	9.81	0.953	
ICN-1P32-N		Advance	Instant Start	1	120	193	21.97	66.25	199.7	13.22	0.992	
					277	90	22.52	66.04	199.4	13.16	0.901	
IOPA-1P32-N			Advance	Instant Start	1	120	193	21.97	66.25	199.7	13.22	0.992
						277	90	22.52	66.04	199.4	13.16	0.901
IOPA-2P32-N	Advance			Instant Start	1	120	147	17.62	65.62	186	12.21	0.99
						277	72	18.34	65.82	186.6	12.27	0.917
					2	120	212	25.44	64.68	151.1	9.77	0.994
						277	97	25.48	64.62	151	9.75	0.95
IOPA-1P32-LW-N		Advance		Instant Start	1	120	193	21.97	66.25	199.7	13.22	0.992
						277	90	22.52	66.04	199.4	13.16	0.901
IOPA-2P32-LW-N			Advance	Instant Start	1	120	147	17.62	65.62	186	12.21	0.99
						277	72	18.34	65.82	186.6	12.27	0.917
	2				120	212	25.44	64.68	151.1	9.77	0.994	
					277	97	25.48	64.62	151	9.75	0.95	
IOPA-4P32-LW-N	Advance			Instant Start	1	120	193	21.97	66.25	199.7	13.22	0.992
						277	90	22.52	66.04	199.4	13.16	0.901
		4			120	323	38.9	64.73	151.1	9.78	0.997	
					277	149	39.4	64.83	151.5	9.81	0.953	
REZ-2S32-SC		Advance	Instant Start	1	120	147	17.62	65.62	186	12.21	0.99	
					277	72	18.34	65.82	186.6	12.27	0.917	





MODEL	BRAND	BALLAST TYPE	LAMP QTY	INPUT VOLTAGE (Vac)	INPUT CURRENT (mA)	INPUT WATTAGE (W)	OUTPUT VOLTAGE (Vdc)	OUTPUT CURRENT (mA)	OUTPUT WATTAGE (W)	POWER FACTOR	
RELB-2S40-N			2	120	212	25.44	64.68	151.1	9.77	0.994	
				277	97	25.48	64.62	151	9.75	0.95	
			Instant Start	1	120	147	17.62	65.62	186	12.21	0.99
					277	72	18.34	65.82	186.6	12.27	0.917
		2	120	212	25.44	64.68	151.1	9.77	0.994		
			277	97	25.48	64.62	151	9.75	0.95		

### BALLAST COMPATIBILITY LIST: 8FT

MODEL	BRAND	BALLAST TYPE	LAMP QTY	INPUT VOLTAGE (Vac)	INPUT CURRENT (mA)	INPUT WATTAGE (W)	OUTPUT VOLTAGE (Vdc)	OUTPUT CURRENT (mA)	OUTPUT WATTAGE (W)	POWER FACTOR
GE432MAXPH/ULTRA	UltraMax P-Series	Instant Start	1	120	251	30.47	67.77	296	20	0.984
				277	164	31.96	68.2	303	20.64	0.675
			4	120	558	67.75	65.96	205.4	13.54	0.996
				277	272	66.84	65.82	205.4	13.52	0.89

### WARRANTY



7 Year



50,000 Hours

The lesser of 7-Years after shipment by Seller, or 50,000-Hours of use.

This product line may be eligible for extended 10-Years warranty with an additional fee. Contact ARCHIPELAGO for additional details.

ARCHIPELAGO will not under any circumstances whether as a result of breach of contract, breach of warranty, tort, strict liability or otherwise be liable for consequential, incidental, special or exemplary damages including but not limited to, loss of pro its or revenues, loss of use of the above product or any other goods or associated equipment or damage to any associated equipment, cost of capital, cost of substituted products, facilities of services, downtime cost, or claims of claimant's customers.

For a complete documentation of ARCHIPELAGO Lighting, Inc. warranty and limitation of liability, please refer to [www.archipelagolighting.com](http://www.archipelagolighting.com).

