

WARNING

- Installation, service, and maintenance of luminaries should be performed by a qualified licensed electrician.
- Please read these instructions carefully before installation.
- Please abide by related country, regional, and local laws and regulations when installing this fixture.
- Notify the manufacturer immediately of hidden damage in transit.

CAUTION

- Do not use an electric generator to test this fixture.
- In the event of smoke or fire, turn off the power immediately and call a licensed electrician.

Installation Instructions

Slipfitter Installation (90W – 120W – 150W)

- Step 1. Take the fixture out of the package.
- Step 2. Connect the line wire through the slipfitter to the fixture wire, black to black, white to white, and green to green. Use only UL listed wiring. Purple and pink wires are 0-10V (low voltage) dimming leads. Connect to low voltage dimming wiring only. Stuff wiring into the pole (Figure 2.1)
- Step 3. Tighten the slipfitter securely in place. Loosen the screw on the slipfitter at the joint securing the angle of the fixture. Adjust to the desired angle and tighten the screw.

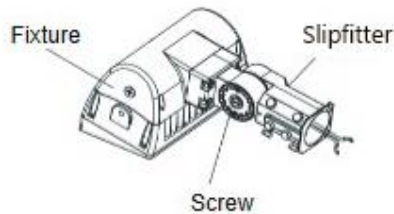


Figure 2.1

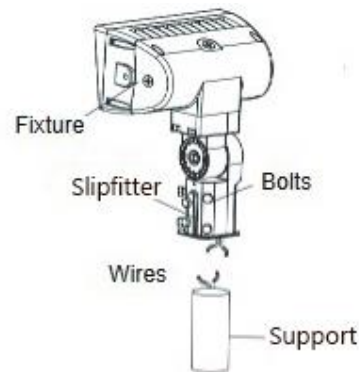
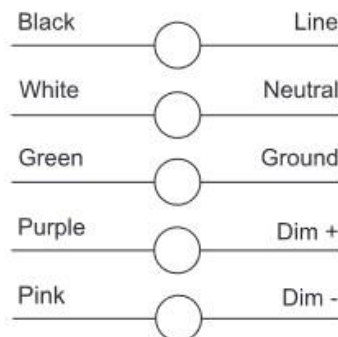


Figure 2.2

Wiring Diagrams



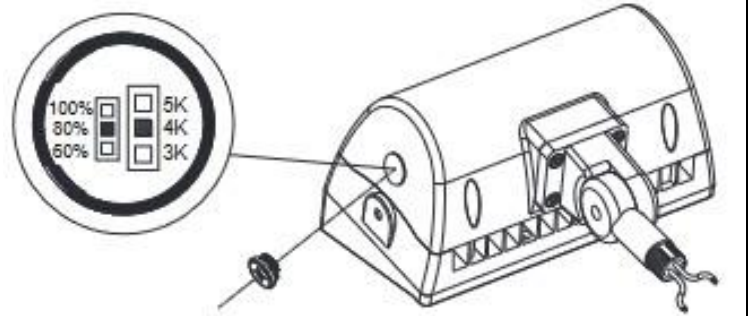
Wattage and CCT Selection

Unscrew the 1/2 knockout cover to select CCT.

- Default CCT: 5000K

Unscrew the 1/2 knockout cover to select wattage.

- Power Setting: 100% (default), 80%, 60%



⚠ WARNING

- Before installing, servicing, or performing routine maintenance upon this equipment, follow these general precautions.
- To reduce the risk of death, personal injury, or property damage from fire, electric shock, falling parts, cuts/abrasions, and other hazards, read all warnings and instructions included with and on the fixture box and all fixture labels.
- Proper grounding is required to ensure safety.
- Power must be turned off at the breaker before installation or maintenance.
- This product must be installed in accordance with the applicable installation code by a person familiar with the construction and operation of the product and the hazards involved.
- Wear gloves and eye protection at all times while installing, servicing, or performing maintenance on the luminaire, and avoid direct eye exposure to the light source while it is on.
- To prevent wiring damage or abrasion, do not expose wiring to edges of sheet metal or other sharp objects.
- Do not install damaged product. Inspect luminaire for damage that may have occurred during transit. If damaged, contact the manufacturer immediately.
- These instructions do not purport to cover all details or variations in equipment nor to provide every possible contingency to meet in connection with installation, operation, or maintenance. Should further information be desired or should particular problems arise which are not covered sufficiently for the purchaser's or owner's purposes, contact the manufacturer.

⚠ ADVERTENCIA

- Antes de instalar, reparar o realizar el mantenimiento de rutina de este equipo, siga estas precauciones generales.
- Para reducir el riesgo de muerte, lesiones personales o daños a la propiedad por fuego, descarga eléctrica, caída de piezas, cortes / abrasiones y otros peligros, lea todas las advertencias y instrucciones incluidas con y en la caja del dispositivo y todas las etiquetas del dispositivo.
- Se requiere una conexión a tierra adecuada para garantizar la seguridad.
- Se debe apagar la energía en el disyuntor antes de la instalación o el mantenimiento.
- Este producto debe ser instalado de acuerdo con el código de instalación aplicable por una persona familiarizada con la construcción y operación del producto y los peligros involucrados.

- Utilice guantes y protección para los ojos en todo momento durante la instalación, el servicio o el mantenimiento de la luminaria, y evite la exposición directa de los ojos a la fuente de luz mientras está encendida.
- Para evitar daños o abrasiones en el cableado, no exponga el cableado a bordes de láminas de metal u otros objetos afilados.
- No instale un producto dañado. Inspeccione la luminaria en busca de daños que puedan haber ocurrido durante el tránsito. Si está dañado, comuníquese con el fabricante de inmediato.
- Estas instrucciones no pretenden cubrir todos los detalles o variaciones en el equipo ni proporcionar todas las posibles contingencias a cumplir en relación con la instalación, operación o mantenimiento. Si desea obtener más información o si surgen problemas particulares que no están suficientemente cubiertos para los propósitos del comprador o propietario, comuníquese con el fabricante.