



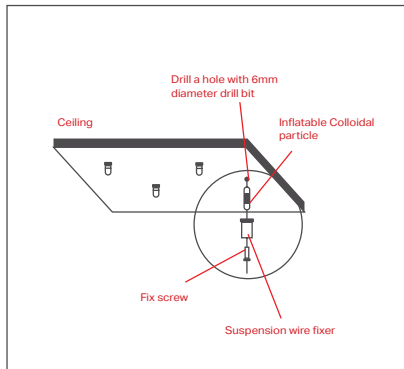
Please read all the instructions before attempting installation

- Please read the product specification carefully first to confirm that the working environment is in line with the condition on the specification before it is used.
- Please confirm the input voltage and frequency before use.
- The light must be installed by professional personnel
- If the power cord and case of the products are damaged, it will be regarded as disqualified product and should not be used.
- If the external soft cable or wire of the product is damaged, the wire should be replaced by the manufacturer or service agent or, personnel with similar qualifications to avoid danger.

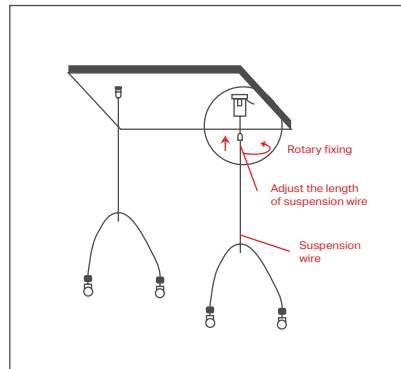
- This luminaire is designed to operate in ambient temperatures ranging from -10°F to 125°F and to be horizontally mounted facing down.
- This product must be installed in accordance with the applicable installation code by a person familiar with the construction and operation of the product and the hazards involved.
- This product is not available for several special environments, such as places with corrosive gas liquids or high pressure water vapor.
- CONSULT A QUALIFIED ELECTRICIAN TO ENSURE THE CORRECT BRANCH CIRCUIT CONDUCTOR
- CAUTION - RISK OF FIRE

Suspended Installation

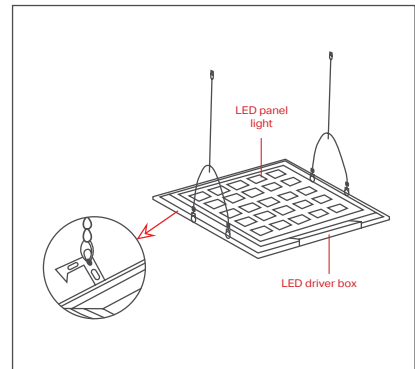
1. Fix the suspension wire fixer on the ceiling



2. Fix the suspension wire on the ceiling



3. Connect LED panel light by the hook of suspension wire

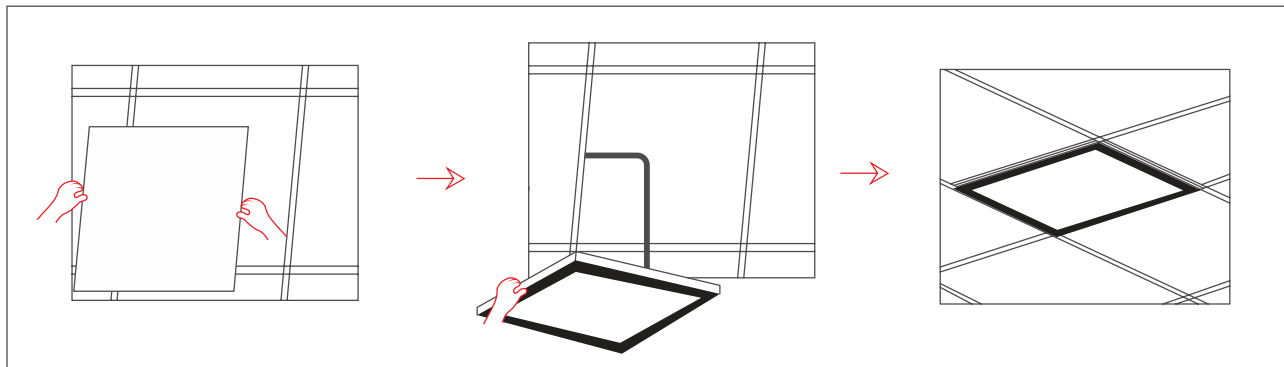


Lay-in Installation

1. Cut off the power supply before installation.
2. Ensure that the installed object can bear the fixture weight.

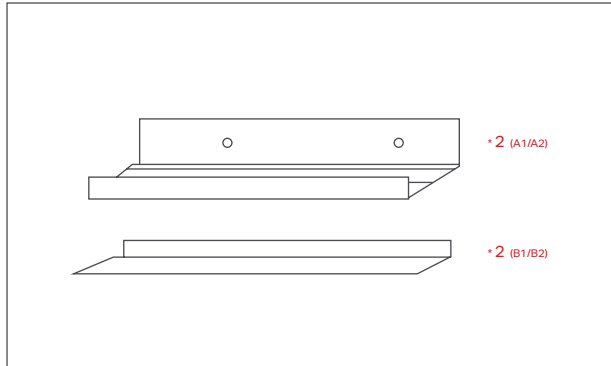
3. Open the groove on the ceiling according to corresponding size. Then install the lamp into the clamping groove on the ceiling.

4. Then connect wire attached to the light onto the corresponding power cord and carry out insulation sealing at the joint.

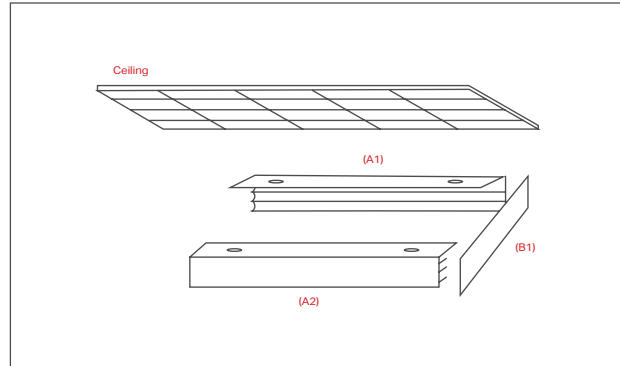


Surface Mount Installation

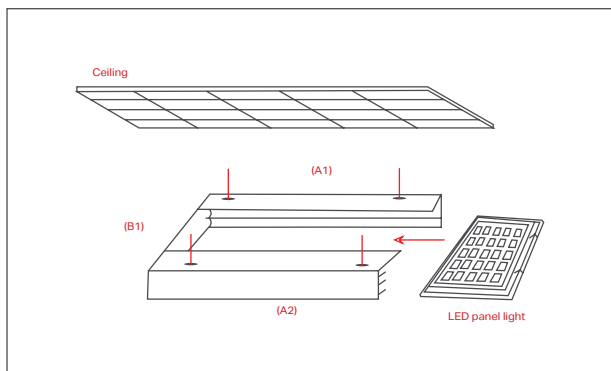
1. Parts A1, A2, B1, B2



2. First install A1, A2, and B1 (as illustrated)



3. As is shown in the figure, fix A1 and A2 on the ceiling or on the roof, and then insert the Back-lit panel light directly (the end with the power source enters later)



4. Install B2, finish installation

