



SORAA BRILLIANT HL™

The SORAA Brilliant HL single-source COB lamp combines SORAA's world-class optics design and driver technology with a photopically efficacious LED

POINT SOURCE OPTICS™

Point Source Optics deliver exceptional beam quality with crisp shadows, perfect uniformity and precisely controlled beam distributions from 9° to 60°.

ENERGY EFFICIENCY AND LONG LIFE

85% more energy than standard halogen lamps
 Typical payback of one year or less
 Rated lifetime to L70: 35,000hrs
 Warranty: 3yrs or 25,000hrs whichever comes first
 Warranty information: SORAA.com/resrouces/legal

ACCESSORIES

Narrow spot compatible with the Soraa SNAP SYSTEM™

Output Range	1190 - 1330 lumen
Beam Angle Range	9°, 25°, 36°, 60°
Color Metrics	CCT: 2700K, 3000K Color Rendering CIE Metrics: CRI 92, R9 50
Application	Halogen replacement for indoor and outdoor



HIGHLY COMPATIBLE

Thermally and geometrically compatible with standard fixtures and suitable for damp locations. Suitable for fully enclosed fixtures. Can be used with from glass cover. Works with trailing edge phase cut dimmers (sww www.soraa.com/resources)

INTENDED USE AND APPLICATIONS

Intended for use in PAR30S compatible recessed downlights, track lighting and other indoor and outdoor applications.

Soraa lamps are designed to safely turn down in any thermal environment not conducive to minimum airflow or proper ventilation

CERTIFICATION

Title 20 compliant, RoHS, CE, UL/CUL, FCC Title 47 Part 15B

GENERAL SPECIFICATIONS

Form Factor

Width: 96mm (3.78")
 Height: 92mm (3.62")
 Weight: 269g

Operating Temperature

Minimum: -40°C (ambient)
 Typical: 60°C - 70°C (base)
 Maximum: 80°C (base)

Electrical

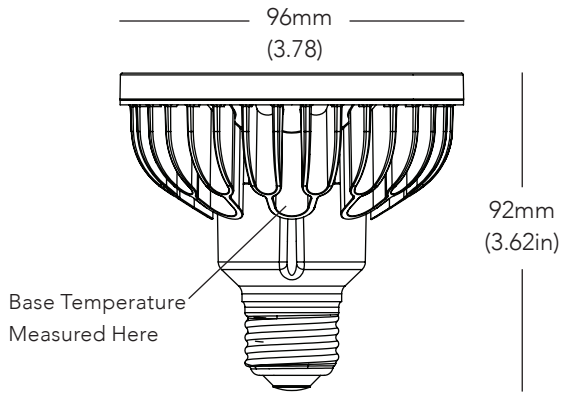
Wattage: 14W
 Power factor: 0.97
 Voltage: 120V +/- 12V
 Frequency: 50/60Hz

Dimming and Flicker

T24/JA8 compliant.
 Please reference our compatibility chart for dimmer and transformer information.

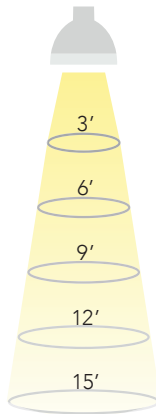


DIMENSIONS



9 DEGREE BEAM

Beam Dia at 50% CBCP (ft)	Field Dia at 10% CBCP (ft)	Foot-candles (% of CBCP)
0.5	0.8	8.6%
0.9	1.7	2.5%
1.4	2.5	1.2%
1.9	3.4	0.7%
2.4	4.2	0.4%

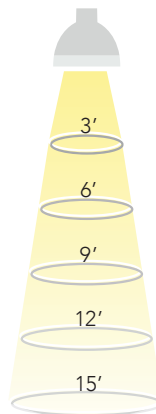


25 DEGREE BEAM

Beam Dia at 50% CBCP (ft)	Field Dia at 10% CBCP (ft)	Foot-candles (% of CBCP)
1.3	2.2	8.6%
2.7	4.4	2.5%
4.0	6.6	1.2%
5.3	8.7	0.7%
6.7	10.9	0.4%

36 DEGREE BEAM

Beam Dia at 50% CBCP (ft)	Field Dia at 10% CBCP (ft)	Foot-candles (% of CBCP)
1.9	3.5	8.6%
3.9	6.9	2.5%
5.8	10.4	1.2%
7.8	13.9	0.7%
9.7	17.3	0.4%



60 DEGREE BEAM

Beam Dia at 50% CBCP (ft)	Field Dia at 10% CBCP (ft)	Foot-candles (% of CBCP)
3.5	6.0	8.6%
6.9	12.0	2.5%
10.4	18.0	1.2%
13.9	24.0	0.7%
17.3	30.0	0.4%

Note: Footcandles may be calculated by multiplying the CBCP of the desired model number by the percentage in the tables above

Model #	Product Code	CCT (K)	Beam Angle	Field Angle	CBCP (cd)	Halogen Equiv	Total Flux (Lm)	Efficacy (Lm/W)	CRI	McA	Title 20
BRILLIANT HL SERIES											
SP30S-14-09D-827-H1	08825	2700	9	16	22015	100	1190	85	92	3	Compliant
SP30S-14-25D-827-H1	08829	2700	25	40	6425	100	1290	92	92	3	Compliant
SP30S-14-36D-827-H1	08833	2700	36	60	2975	100	1290	92	92	3	Compliant
SP30S-14-60D-827-H1	08837	2700	60	90	1310	100	1290	92	92	3	Compliant
SP30S-14-09D-830-H1	08827	3000	9	16	22755	100	1230	88	92	3	Compliant
SP30S-14-25D-830-H1	08831	3000	25	40	6640	100	1330	95	92	3	Compliant
SP30S-14-36D-830-H1	08835	3000	36	60	3075	100	1330	95	92	3	Compliant
SP30S-14-60D-830-H1	08839	3000	60	90	1350	100	1330	95	92	3	Compliant

CCT: Correlated Color Temperature **McA**: White Point Accuracy in McA step **SNAP**:SORAA SNAP System Compatible

*Specifications are at stable warm operating conditions (25°C ambient)

