

DESCRIPTION

Featuring a low-profile design, these UFO LED high bays are a one-for-one replacement of existing 250W, 400W, and 1000W metal halide fixtures making them a cost-effective solid-state solution for high bay applications.

FEATURES

- Up to 146 LPW ultra-high efficiency delivers superior performance over older HID high bays
- 6' power cord standard for more installation flexibility
- 0-10V dimming; see Compatible Dimmers section for full list of compatible dimmers
- Optional motion sensor and remote control; see Accessories section for more information
- Optional u-bracket available for surface mounting; see Mounting Accessories section for more information

LISTINGS

- UL rated for wet locations
- IP65

PERFORMANCE

- CRI: >80
- CCT: 4000K, 5000K
- LED L70 Life Hours: 140,000 hours
- Philips Lumileds SMD LEDs

THERMAL

- -40°F to 122°F (-40°C to 50°C) operating temperature

ELECTRICAL

- THD: ≤20%
- Power Factor: ≥0.9
- Input Voltage: 120-277V
- Dimmable power supply (0-10V)
- Surge Protection: 6kV

INSTALLATION

- Suspended mounting with included 10mm ring or surface mounting (u-bracket sold separately); see installation instructions for more information

CONSTRUCTION

- Ships standard with impact resistant PC frosted lens & reflector (90°)
- Slim, lightweight die-cast aluminum construction allows for quick and easy installation
- Black or white finish

WARRANTY

- 5-year limited warranty; see pltsolutions.com for warranty details

project name	type
catalog number	
comments	voltage
approved by	date



APPLICATIONS

- Warehouses
- Manufacturing Plants
- Distribution Centers
- Grocery Stores
- Gymnasiums
- Indoor Recreational Facilities
- Cold Storage
- Big Box Retail
- Service Repair Centers

PERFORMANCE SUMMARY

Item #	Model	Watts	Lumens	LPW	CCT	CRI	Dimming	Voltage	Replaces	Finish
PLT-12630	Round	150	21,450	143	5000K	>80	0-10V	120-277V	MH400	Black
PLT-12631	Round	150	21,150	141	4000K	>80	0-10V	120-277V	MH400	Black
PLT-12632	Round	240	34,560	144	5000K	>80	0-10V	120-277V	MH1000	Black
PLT-12633	Round	100	14,600	146	5000K	>80	0-10V	120-277V	MH250	Black
PLT-12634	Round	150	21,450	143	5000K	>80	0-10V	120-277V	MH400	White
PLT-12635	Round	150	21,150	141	4000K	>80	0-10V	120-277V	MH400	White
PLT-12636	Round	240	34,560	144	5000K	>80	0-10V	120-277V	MH1000	White

COMPATIBLE DIMMERS

Brand	Model
LEGRAND	RH4FBL3PTC
LEVITON	IP710-DLZ
LEVITON	DS710-10Z
LUTRON	NTSTV-DV-WH
LUTRON	NFTV-WH
LUTRON	DVSTV-WH

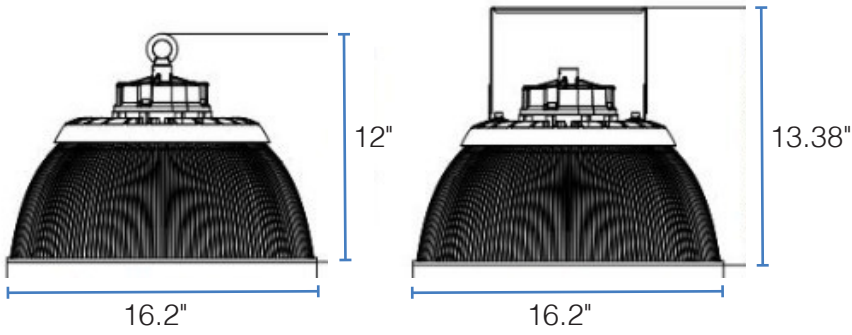
ACCESSORIES

SKU	Description
PLT-12844	High Bay Occupancy Sensor and Photocell - Microwave - White - Screw-in Connector - 12 Volt
PLTS-12281	Motion Sensor Remote

MOUNTING ACCESSORIES

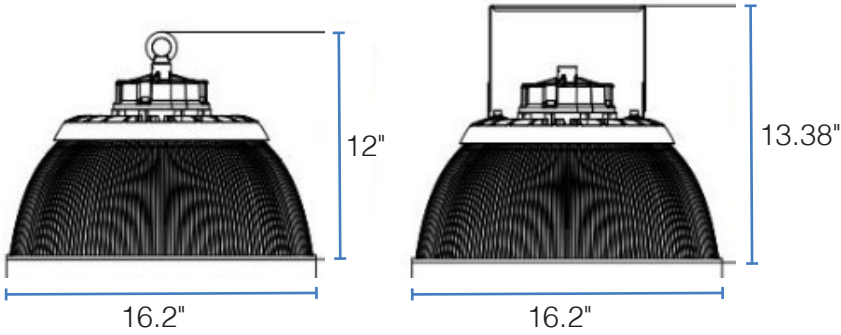
SKU	Description
PLTS-12377	100W and 150W UFO Adjustable U-Bracket - White
PLTS-12378	100W and 150W UFO Adjustable U-Bracket - Black

DIMENSIONS



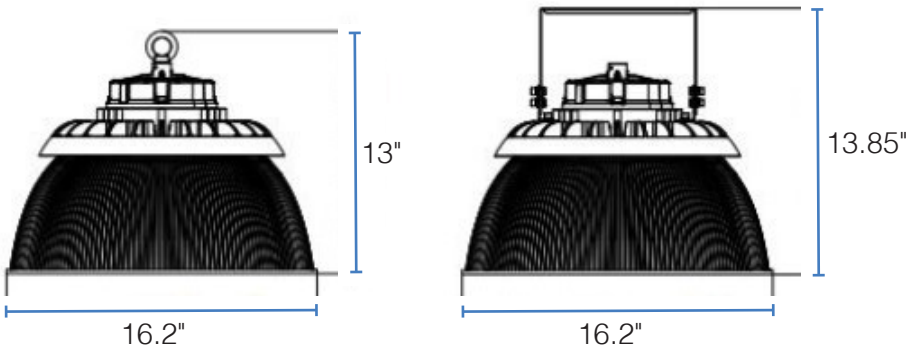
100W DIMENSIONS

Height w/ ring mount – 12"
 Height w/ bracket – 13.38"
 Diameter – 16.2"
 Weight – 5.14 lbs
 Ring Mount Thread Size – 10MM



150W DIMENSIONS

Height w/ ring mount – 12"
 Height w/ bracket – 13.38"
 Diameter – 16.2"
 Weight – 5.14 lbs
 Ring Mount Thread Size – 10MM

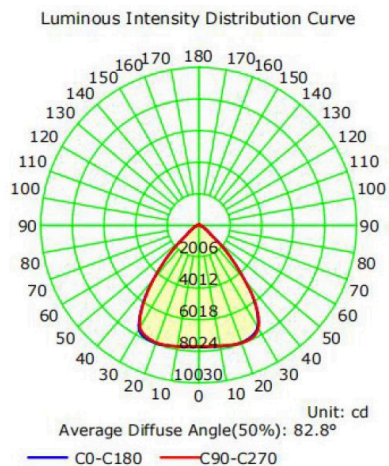


240W DIMENSIONS

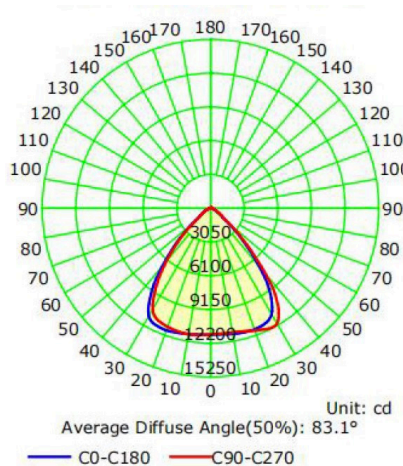
Height w/ ring mount – 13"
 Height w/ bracket – 13.85"
 Diameter – 16.2"
 Weight – 6.9 lbs
 Ring Mount Thread Size – 10MM

PHOTOMETRICS

100W DIMENSIONS



150W DIMENSIONS



240W DIMENSIONS

