

DESCRIPTION

Reduce energy and maintenance costs by replacing existing fluorescent vapor tight fixtures with these more efficient and longer lasting LED vapor tight fixtures. Featuring a built-in battery backup, these fixtures will continue to operate for at least 90 minutes in the event of a power outage.

FEATURES

- Efficiently replaces up to a 6 lamp fluorescent fixture
- Delivers up to 138 LPW; output will vary depending on the wattage selected, see Selectable Table for full breakdown
- Built-in emergency backup operates fixtures for at least 90 minutes in the event of a power failure; recharges in 12 hours
- Self-tests monthly and yearly; red indicator light is located inside the housing
- IP65 rated, meaning that the fixture is built to completely restrict the entry of dust as much as possible and it is protected from being sprayed with water jets without being damaged
- 0-10V dimming
- Wattage and color temperature can be adjusted using the switches on the driver; see Installation Instructions for more information.

LISTINGS

- UL rated for wet locations
- IP65
- FCC
- IK10
- DesignLights Consortium® 5.1 Standard - meets the requirements for the highest DLC qualification for efficacy and lumen maintenance

PERFORMANCE

- CRI: 80
- CCT: 3500K, 4000K, and 5000K
- LED L70 Life Hours: >100,000

EMERGENCY OPERATION

- Operation: 90 minutes
- Charging Time: 12 Hours
- Input Voltage: 100-277VAC
- Output Power: 10W
- Output Lumens: 1000 to 1500

ELECTRICAL

- THD: <20%
- Power Factor: >0.9
- Input Voltage: 120-277V
- Dimmable power supply (0-10V)
- Surge Protection: 2kV

THERMAL

- Surface Mounted Operating Temperature: -40°F to 104°F (-40°C to 40°C)
- Suspended at least 18" from Ceiling Operating Temperature: -40°F to 113°F (-40°C to 45°C)

project name	type
catalog number	
comments	voltage
approved by	date



INSTALLATION

- Designed for surface mounting (mounting hardware included) or suspended mounting with included V-hooks (chain sold separately); see installation instructions for more information

CONSTRUCTION

- Polycarbonate housing with light gray finish and aluminum latches
- Frosted PC lens protects LEDs while evenly distributing light and reducing glare

WARRANTY

- 5 year limited warranty; see pltsolutions.com for warranty details

APPLICATIONS

- Utility Lighting
- Parking Garages
- Stairwell Lighting
- Hallways

PERFORMANCE SUMMARY

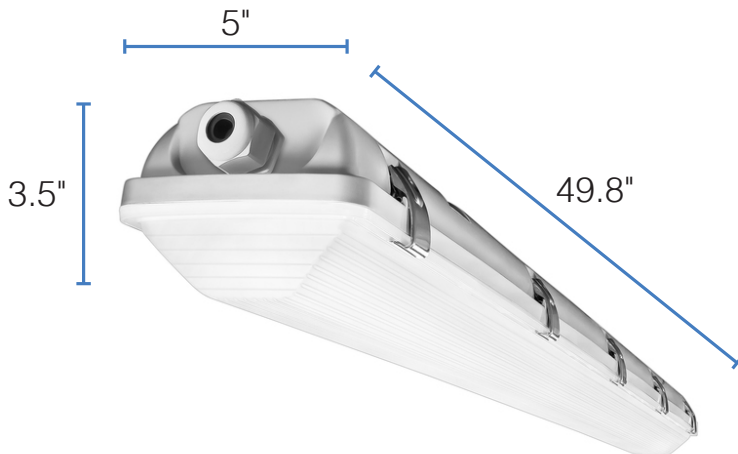
Item #	Watts*	CCT*	CRI	Dimming	Voltage	Replaces	Emergency Operation	Recharge Time	Emergency Output Lumens	Length	DLC #	DLC Level
PLT-90355	44/ 64/ 75	3500K/ 4000K/ 5000K	80+	0-10V	120-277V	4 to 6 Lamp Fluorescent	90 Minutes	12 Hours	1000 to 1500	4'	PLTM94B1421	5.1 Standard
PLT-90356	25/ 30/ 34	3500K/ 4000K/ 5000K	80+	0-10V	120-277V	2 Lamp Fluorescent	90 Minutes	12 Hours	1000 to 1500	4'	PLTM9461421	5.1 Standard

* See Selectable Table for full breakdown

SELECTABLE TABLE

Item #	Wattage	CCT	Lumens	Efficacy
PLT-90355	44	3500K	5984	136
		4000K	6028	137
		5000K	6072	138
	64	3500K	8512	133
		4000K	8576	134
		5000K	8640	135
	75	3500K	9750	130
		4000K	9825	131
		5000K	9900	132
PLT-90356	25	3500K	3400	136
		4000K	3425	137
		5000K	3450	138
	30	3500K	3990	133
		4000K	4020	134
		5000K	4050	135
	34	3500K	4420	130
		4000K	4454	131
		5000K	4488	132

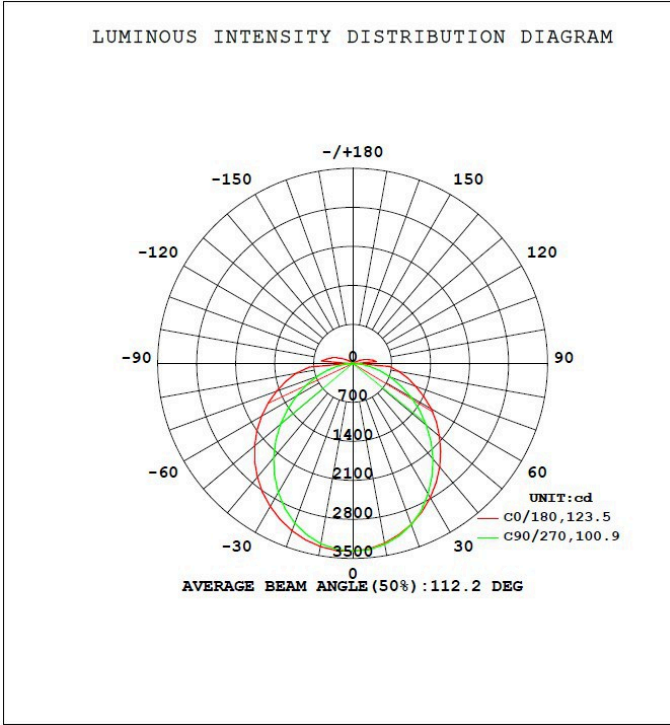
DIMENSIONS



DIMENSIONS

Length: 49.8"
 Height: 3.5"
 Width: 5"
 Weight: 7.1 lbs

PLT-90355



PLT-90356

