

**DESCRIPTION**

Greatly reduce energy and maintenance costs by replacing existing fluorescent strip fixtures with these more efficient color and wattage selectable LED strip light fixtures that feature a built-in emergency backup.

**FEATURES**

- Efficiently replaces up to an 8 lamp fluorescent fixture
- Delivers up to 153 LPW; output will vary depending on the wattage selected, see Selectable Table for full breakdown
- Built-in emergency backup operates fixtures for at least 90 minutes in the event of a power failure; recharges in 12 hours
- Self-tests monthly and yearly; red indicator light is located on the housing
- 0-10V dimming
- Wattage and color temperature are adjusted via dip switch on the driver; see installation instructions for more details

**LISTINGS**

- UL rated for damp locations
- IP20
- DesignLights Consortium® 5.1 Standard - meets the requirements for the highest DLC qualification for efficacy and lumen maintenance

**PERFORMANCE**

- CRI: 80
- CCT: 3500K, 4000K, and 5000K
- LED L70 Life Hours: >100,000

**EMERGENCY OPERATION**

- Operation: 90 minutes
- Charging Time: 12 Hours
- Input Voltage: 100-277VAC
- Output Power: 10W
- Output Lumens: 1000 to 1500

**THERMAL**

- -4°F to 122°F (-20°C to 50°C) operating temperature

**ELECTRICAL**

- THD: <20%
- Power Factor: >0.9
- Input Voltage: 120-277V
- Dimmable power supply (0-10V)
- Surge Protection: 2kV

**INSTALLATION**

- Designed for surface mounting; see installation instructions for more details

**CONSTRUCTION**

- Stamped sheet metal housing with white finish
- Frosted PMMA lens protects LEDs while evenly distributing light

project name	type
catalog number	
comments	voltage
approved by	date



**WARRANTY**

- 5-year limited warranty; see [pltsolutions.com](http://pltsolutions.com) for warranty details

**APPLICATIONS**

- Storage Areas
- Utility Areas
- Garages
- Workshops
- Hallways

# PERFORMANCE SUMMARY

Item #	Watts*	CCT*	CRI	Dimming	Voltage	Emergency Operation	Recharge Time	Emergency Operation Lumens	Replaces	Default Settings	Length	DLC #	DLC Level
PLT-90357	18/ 25/ 30	3500K/ 4000K/ 5000K	80	0-10V	120-277V	90 Minutes	12 Hours	1000 to 1500	2 Lamp Fluorescent	30W, 5000K	4'	PLTM34B81421	5.1 Standard
PLT-90358	34/ 38/ 45	3500K/ 4000K/ 5000K	80	0-10V	120-277V	90 Minutes	12 Hours	1000 to 1500	3 Lamp Fluorescent	45W, 5000K	4'	PLTM34B91421	5.1 Standard
PLT-90359	38/ 46/ 54	3500K/ 4000K/ 5000K	80	0-10V	120-277V	90 Minutes	12 Hours	1000 to 1500	4 to 6 Lamp Fluorescent	54W, 5000K	8'	PLTM38BA1421	5.1 Standard
PLT-90360	65/ 75/ 90	3500K/ 4000K/ 5000K	80	0-10V	120-277V	90 Minutes	12 Hours	1000 to 1500	6 to 8 Lamp Fluorescent	90W, 5000K	8'	PLTM38BB1421	5.1 Standard

\* See Selectable Table for full breakdown

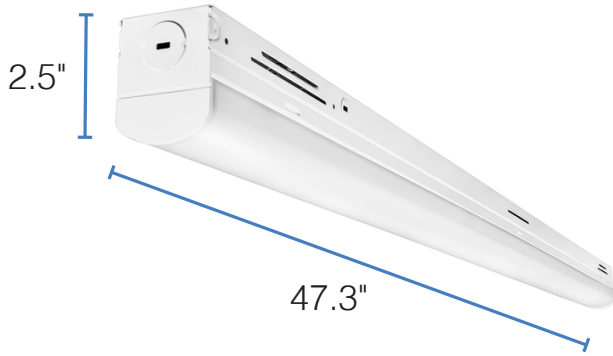
# SELECTABLE TABLE

SKU	Wattage	CCT	Lumens	Efficacy
PLT-90357	18	3500K	2635	146
		4000K	2769	153
		5000K	2679	148
	25	3500K	3605	144
		4000K	3819	152
		5000K	3674	146
	30	3500K	4191	139
		4000K	4477	149
		5000K	4246	141
PLT-90358	34	3500K	4420	130
		4000K	4454	131
		5000K	4488	132
	38	3500K	4940	130
		4000K	4978	131
		5000K	5016	132
	45	3500K	5850	130
		4000K	5895	131
		5000K	5940	132
PLT-90359	38	3500K	5468	143
		4000K	5698	149
		5000K	5637	148
	46	3500K	6543	142
		4000K	6865	149
		5000K	6749	146
	54	3500K	4767	138
		4000K	7882	145
		5000K	7741	142
PLT-90360	65	3500K	9277	142
		4000K	9776	150
		5000K	9545	146
	75	3500K	10,787	143
		4000K	11,410	152
		5000K	11,015	146
	90	3500K	12,146	134
		4000K	12,963	144
		5000K	12,476	138

# DIMENSIONS

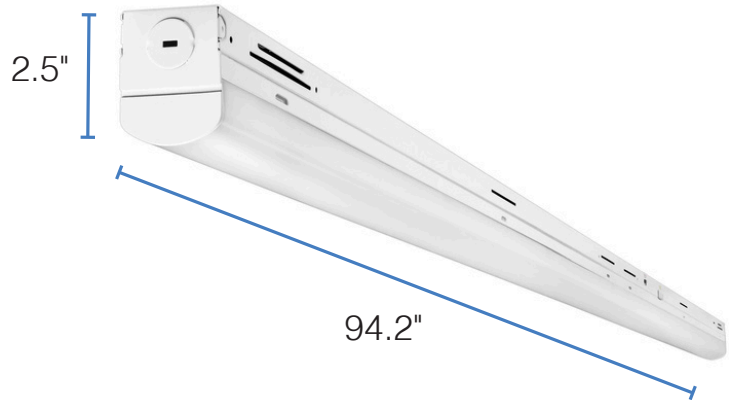
## 4' DIMENSIONS

Length: 47.3"  
Height: 2.5"  
Width: 1.9"  
Weight: 4.87 lbs



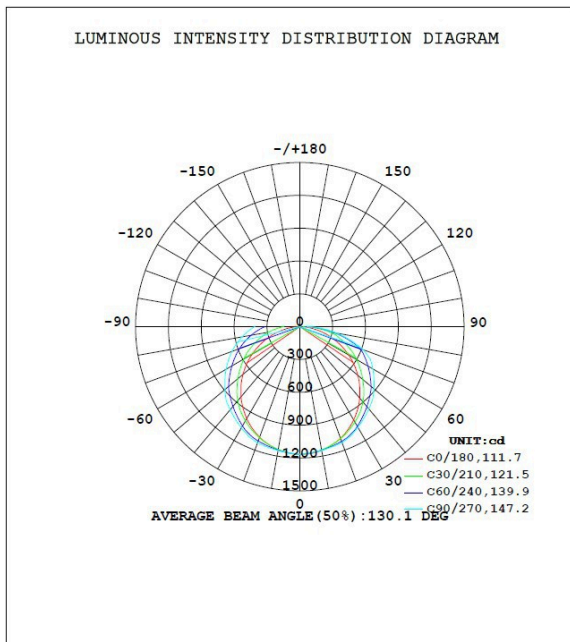
## 8' DIMENSIONS

Length: 94.2"  
Height: 2.5"  
Width: 1.8"  
Weight: 8.37 lbs



# PHOTOMETRICS

## PLT-90357



## PLT-90358

