

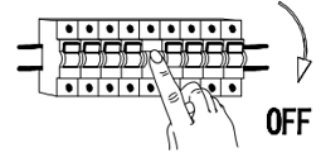
FIXTURES



LBI MAX

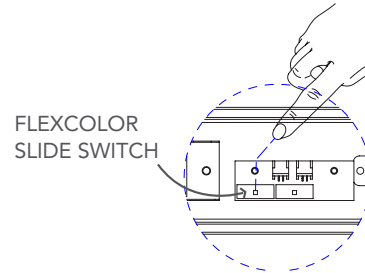
WARNING

- Risk of fire. Turn off power before installation.
- Risk of electric shock. Install only by certified electrician with gloves.
- To be used in indoor, dry or damp locations only.
- If the luminaire exhibits undesirable operation (buzzing, flickering, not working etc.) ,immediately turn off power, remove luminaire and contact manufacturer.
- Do not make mass installation before testing.
- Suitable for damp locations.
- Consult a qualified electrician to ensure correct branch circuit conductor.



FLEXWATT SETTINGS

Simply open the fixture, and adjust the 4-position slide switch with your fingers.

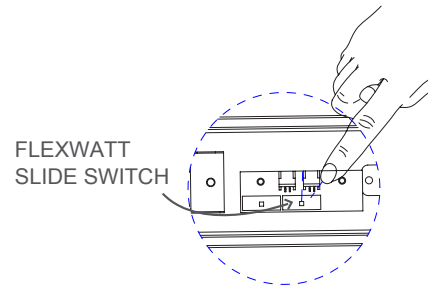


FLEXWATT LUMENS @ 4000K

SIZE	POSITION 1	POSITION 2	POSITION 3	POSITION 4
2FT	15W (1950LM)	20W (2600LM)	25W (3250LM)	30W (3900LM)
4FT	30W (3900LM)	35W (4550LM)	40W (5200LM)	48W (6240LM)

FLEXCOLOR SETTINGS

Simply open the fixture, and adjust the 4-position slide switch with your fingers.



FLEXCOLOR SWITCH POSITION

SIZE	POSITION 1	POSITION 2	POSITION 3	POSITION 4
2FT	3000K	3500K	4000K	5000K
4FT	3000K	3500K	4000K	5000K

DEFAULT OCC SENSOR SETTINGS

SENSITIVITY	DAYLIGHT SENSOR	HOLD TIME	TWILIGHT TIME	TWILIGHT LEVEL
100%	DISABLED	5 MIN	+ ∞	30%

Information subject to change without notice.

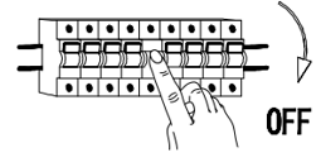
FIXTURES



LBI MAX

WARNING

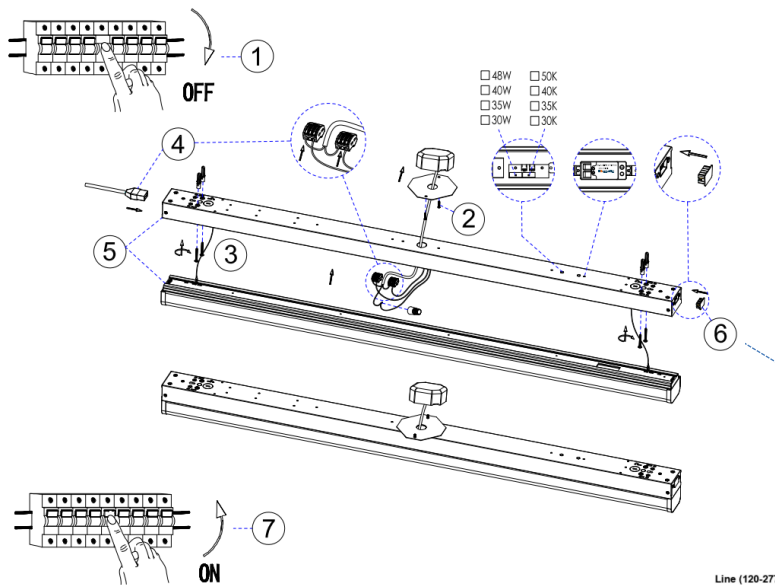
- Risk of fire. Turn off power before installation.
- Risk of electric shock. Install only by certified electrician with gloves.
- To be used in indoor, dry or damp locations only.
- If the luminaire exhibits undesirable operation (buzzing, flickering, not working etc.) ,immediately turn off power, remove luminaire and contact manufacturer.
- Do not make mass installation before testing.
- Suitable for damp locations.
- Consult a qualified electrician to ensure correct branch circuit conductor.



INSTALLATION FOR SURFACE MOUNTING

1. Disconnect or turn off power before installation, see step ①.
If applicable: adjust the FlexWatt and/or FlexColor switches to desired wattage/lumen package and CCT.
**Note: that not all models have these adjustments. Check your part # and product specification sheet for more details.*
2. Please use the junction box plate to cover an existing junction box, see step ②
3. Install the metal housing on to the ceiling, see step ③. Drywall anchors and screws included.
4. There are two types of wiring methods, see step ④:
 1. Use LBI incoming power cable at Input side(sold separately).
 2. Use the lever nuts to hard wire at the center(provided). If this connection method is used the "Dead End" must remain installed, see step ⑥.

Make the electrical connection to the fixture in accordance with local electrical code.
Make all necessary wiring connections, observing proper voltage and polarity.
5. Once the wiring is secured and clear. Push the lens assembly onto the metal housing, see step ⑤. Be careful not to pinch any wires.
6. Double check that the "Dead End" cap on the input side is installed, see step ⑥.
7. Reconnect power, the light will be on, see step ⑦.
8. Adjust settings of the motion sensor (OCC) if desired. See separate instruction sheet for details.



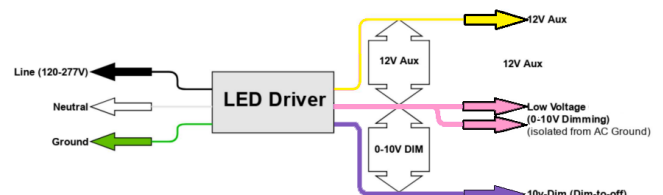
SUPPLIED ACCESSORIES

Installed				
x 2PCS	x 3PCS	x 4PCS	x 4PCS	x 1PCS

WARNING

1. Do not remove lever nuts unless fixture is hardwired. If linking is used Lever nuts must remain installed.
2. End Caps or "Dead Ends" must be installed when hardwired.

WIRING DIAGRAM



Information subject to change without notice.

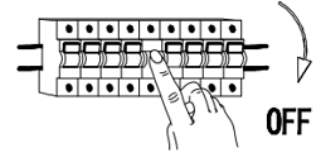
FIXTURES



LBI MAX

WARNING

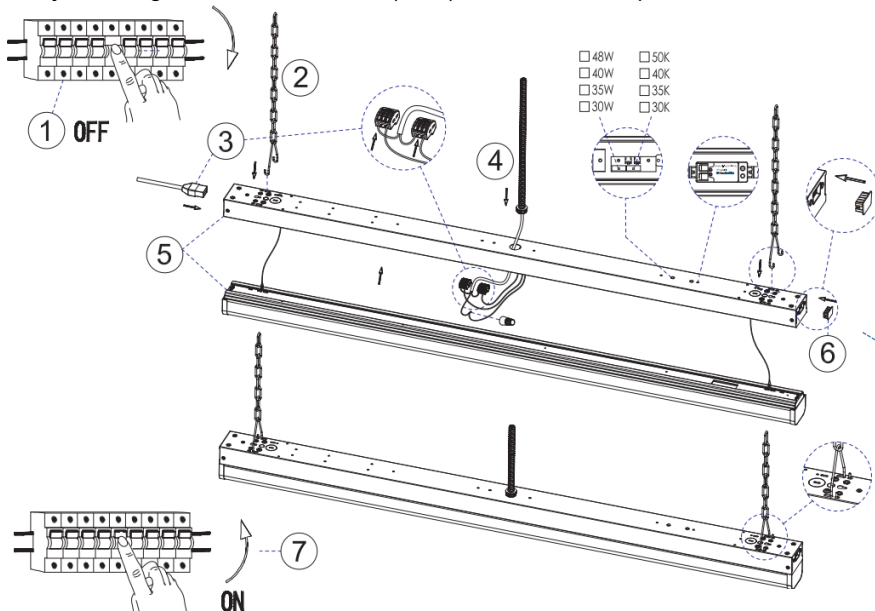
- Risk of fire. Turn off power before installation.
- Risk of electric shock. Install only by certified electrician with gloves.
- To be used in indoor, dry or damp locations only.
- If the luminaire exhibits undesirable operation (buzzing, flickering, not working etc.) ,immediately turn off power, remove luminaire and contact manufacturer.
- Do not make mass installation before testing.
- Suitable for damp locations.
- Consult a qualified electrician to ensure correct branch circuit conductor.



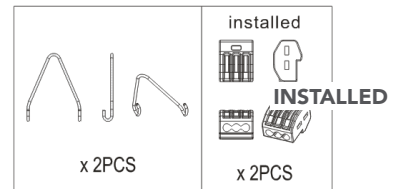
INSTALLATION FOR SUSPENSION MOUNTING WITH V HOOK

1. Disconnect or turn off power before installation, see step ①.
If applicable: adjust the FlexWatt and/or FlexColor switches to desired wattage/lumen package and CCT.
**Note: that not all models have these adjustments. Check your part # and product specification sheet for more details.*
2. Clip V hooks to the fixtures, use hanging cables or chain to install in the ceiling , see step ②.
3. There are two types of wiring methods:
 1. Use LBI incoming power cable at input side(sold separately), see step ③.
 2. Use the lever nuts to hard wire at the center(provided) see step ③. If this connection method is used the “Dead End” must be installed, see step ⑥.

Make the electrical connection to the fixture in accordance with local electrical codes.
Make all necessary wiring connections, observing proper voltage and polarity.
4. Once the wiring is secured and clear. Push the lens assembly onto the metal housing, see step ⑤. Be careful not to pinch any wires.
5. Double check that the “Dead End” cap on the input side is installed. Install the “Dead end” cap to the connector see step ⑥.
6. Reconnect power, the light will be on see step ⑦.
7. Adjust settings of the motion sensor (OCC) if desired. See separate instruction sheet for details.



SUPPLIED ACCESSORIES

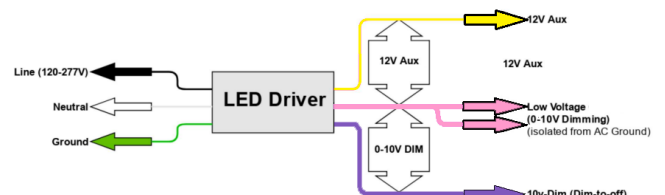


⚡ WARNING

1 Do not remove lever nuts unless fixture is hardwired. If linking is used Lever nuts must remain installed.

2. End Caps or “Dead Ends” must be installed when hardwired.

WIRING DIAGRAM



Information subject to change without notice.

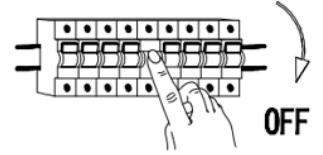
FIXTURES



LBI MAX

WARNING

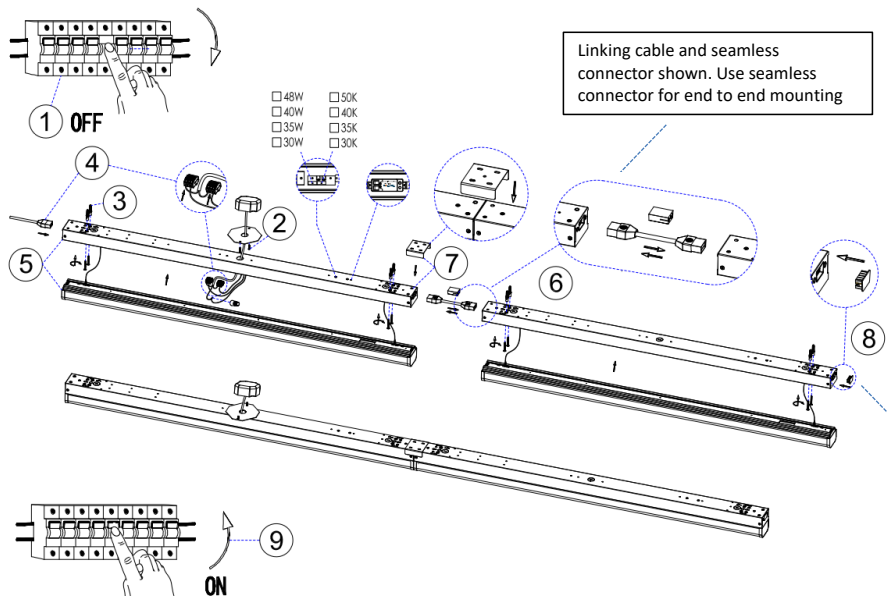
- Risk of fire. Turn off power before installation.
- Risk of electric shock. Install only by certified electrician with gloves.
- To be used in indoor, dry or damp locations only.
- If the luminaire exhibits undesirable operation (buzzing, flickering, not working etc.) ,immediately turn off power, remove luminaire and contact manufacturer.
- Do not make mass installation before testing.
- Suitable for damp locations.
- Consult a qualified electrician to ensure correct branch circuit conductor.



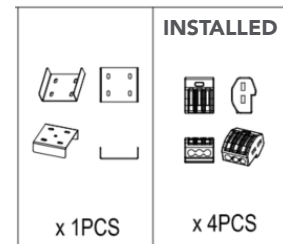
INSTALLATION FOR SURFACE MOUNTING WITH DAISY CHAIN FUNCTION

1. Disconnect or turn off power before installation, see step ①.
If applicable: adjust the FlexWatt and/or FlexColor switches to desired wattage/lumen package and CCT.
**Note: that not all models have these adjustments. Check your part # and product specification sheet for more details.*
Please use the junction box plate to cover an existing junction box, see step ②
2. Install the metal housing on to the ceiling, see step ③. Drywall anchors and screws included.
3. **There are two types of wiring methods, see step ④:**
 1. Use LBI incoming power cable at Input side(sold separately).
 2. Use the lever nuts to hardwire at the center(provided), see step ④. If this connection method is used the “Dead End” must be installed, see step ⑧.

Make the electrical connection to the fixture in accordance with local electrical codes.
Make all necessary wiring connections, observing proper voltage and polarity.
4. Once the wiring is secured and clear. Push the lens assembly onto the metal housing, see step ⑤. Be careful not to pinch any wires.
5. Use the LBI seamless connector or linkable cable connectors(sold separately) to connect two or more fixtures, see step ⑥.
6. For In-Line linking a surface mount bracket(sold separately) should be used to make sure two or more line up straight, see step ⑦.
7. Install the second fixture onto the ceiling, see step ③, and continue to desired amount, max connections are:
 - 4FT: 20pcs
8. Double check that the “Dead End” cap on the input side is installed, see step ⑧.
9. Reconnect power, the light will be on, see step ⑨.
10. Adjust settings of the motion sensor (OCC) if desired. See separate instruction sheet for details.



ACCESSORIES SOLD SEPARATELY



⚡ WARNING

1 Do not remove lever nuts unless fixture is hardwired. If linking is used Lever nuts must remain installed.

2. End Caps or “Dead Ends” must be installed when hardwired.

Information subject to change without notice.

LIGHT EFFICIENT DESIGN HEADQUARTERS 188 S. Northwest Highway • Cary, IL 60013
 INNOVATION & MANUFACTURING CENTER 30 Log Bridge Road, Building 200 • Middleton, MA 01949
 847.380.3540 • led-llc.com

07.27.23 Information is subject to change without notice.

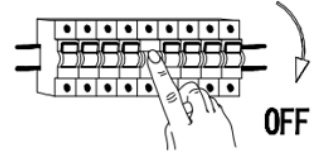
FIXTURES



LBI MAX

WARNING

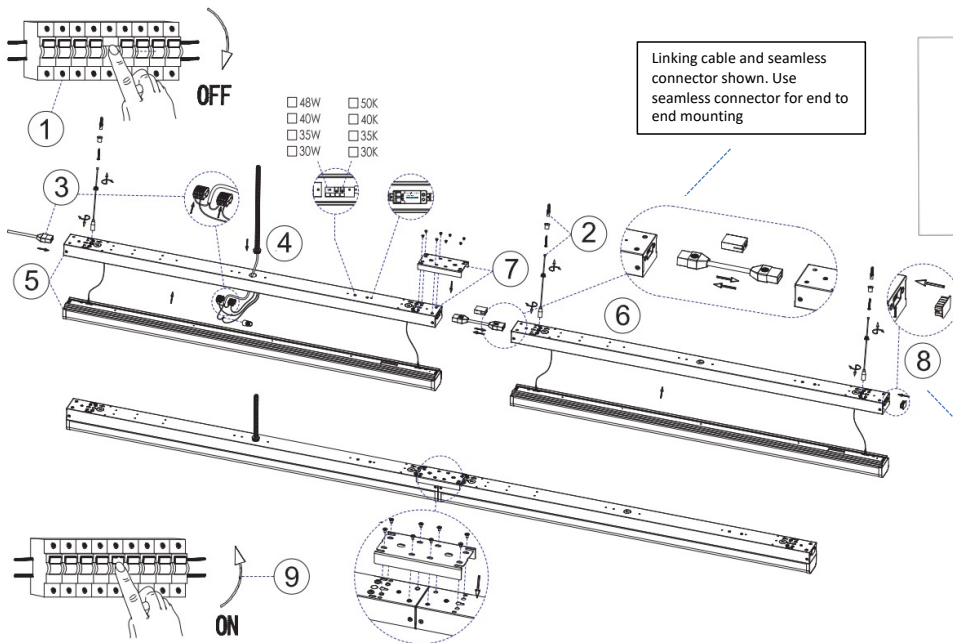
- Risk of fire. Turn off power before installation.
- Risk of electric shock. Install only by certified electrician with gloves.
- To be used in indoor, dry or damp locations only.
- If the luminaire exhibits undesirable operation (buzzing, flickering, not working etc.) ,immediately turn off power, remove luminaire and contact manufacturer.
- Do not make mass installation before testing.
- Suitable for damp locations.
- Consult a qualified electrician to ensure correct branch circuit conductor.



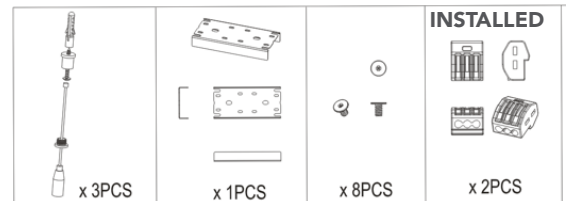
INSTALLATION FOR SUSPENSION MOUNTING WITH DAISY CHAIN FUNCTION

1. Disconnect or turn off power before installation, see ①.
If applicable: adjust the FlexWatt and/or FlexColor switches to desired wattage/lumen package and CCT.
**Note: that not all models have these adjustments. Check your part # and product specification sheet for more details.*
2. Install the aircraft cables, or chain to the mounting surface, attach the suspension cable, or V-hooks to the fixture, see ②. For V-hooks see Page 2.
3. **There are two types of wiring methods, see step ④:**
 1. Use LBI incoming power cable at Input side(sold separately).
 2. Use the lever nuts at the center(provided), see step ④. If this connection method is used the "Dead End" must be installed see step ⑧.

Make the electrical connection to the fixture in accordance with local electrical codes.
Make all necessary wiring connections, observing proper voltage and polarity.
4. Once the wiring is secured and clear. Push the lens assembly onto the metal housing, see step ⑤. Be careful not to pinch any wires.
5. Use the seamless connector or linkable cable connectors to connect two or more fixtures, see step ⑥.
6. For In-Line linking a Suspension Linking Mounting Bracket(sold separately) should be used to make sure two or more line up straight, see step ⑦.
7. Install the second fixture to the ceiling, see step ③, and continue to desired amount, max connections are:
 - **4FT: 20pcs** – Pro Tip: the number of mount points needed is always one more than the fixtures used.
8. Double check that the "Dead End" cap on the input side is installed, see step ⑧.
9. Reconnect power, the light will be on see step ⑨.
10. Adjust settings of the motion sensor (OCC) if desired. See separate instruction sheet for details.



ACCESSORIES SOLD SEPARATELY



⚡ WARNING

1 Do not remove lever nuts unless fixture is hardwired. If linking is used Lever nuts must remain installed.

2 End Caps or "Dead Ends" must be installed when hardwired.

Information subject to change without notice.