

# PDS-STN Mounting bracket dla PDS4-ALU; MICRO-ALU, PDS-O , REF. 24190



**BRACKET IS MADE OF HIGH QUALITY SPRING, STAINLESS STEEL.  
AFFORDABLE PRICE.**

## Description

The bracket is durable, easy to mount and provides excellent mounting as well as possible dismounting of the extrusion.

It is made of high quality stainless steel, which grants it resistance against corrosion and weather conditions. Stainless steel guarantees the aesthetic appearance even after many years of usage.

Product is offered at an affordable price.

## Applications :

- to mount extrusions to desired surfaces
- to connect extrusions into one integrated fixture that creates a straight line of light of any desired length

## Product Description :

Material: spring steel, stainless steel  
Certificate: CE

## Accessories:



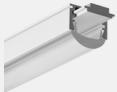
**PDS - O PROFILE,**  
REF.B3777ANODA



**PDS 4 - ALU PROFILE,**  
REF.B1718ANODA



**MICRO - ALU PROFILE**  
6MM IN HEIGHT,  
REF.B1888ANODA



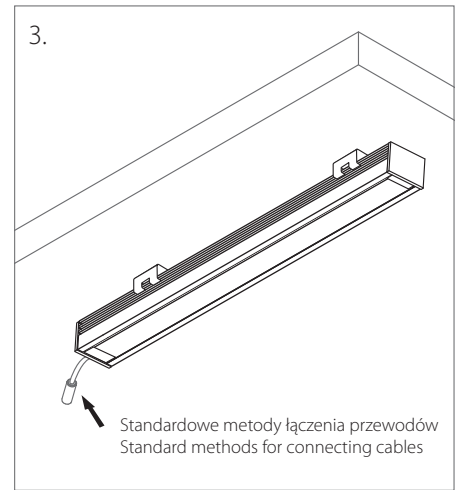
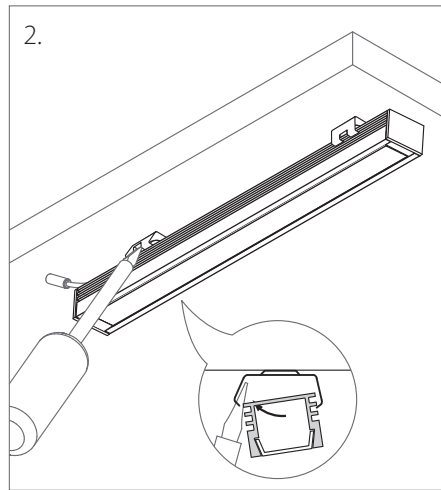
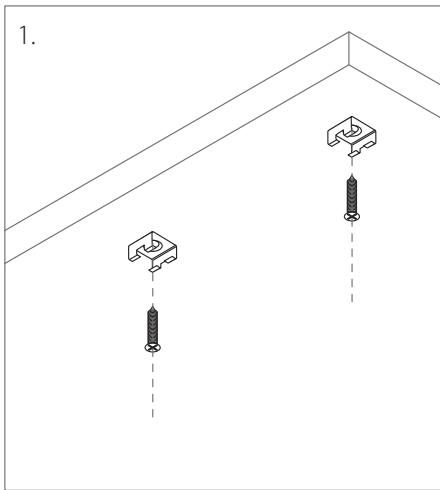
**REGULOR ZWK PROFILE**  
FOUR ANGLES OF ILLUMINATION,  
REF.B468+43ANODA



**TAMI PROFILE (ECO)**  
REF.B5390ANODA

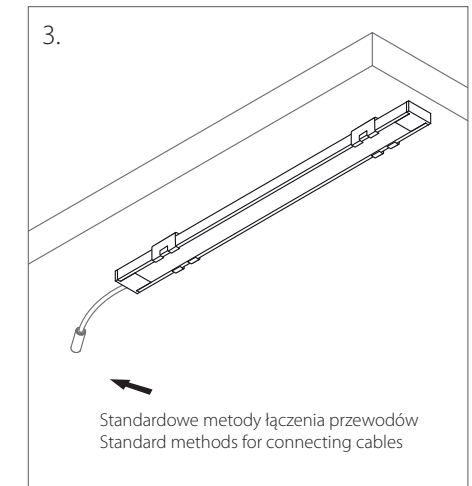
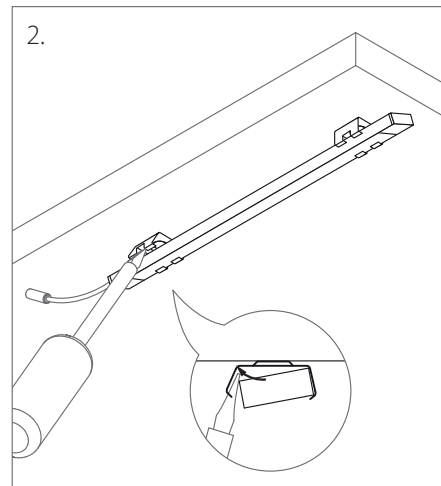
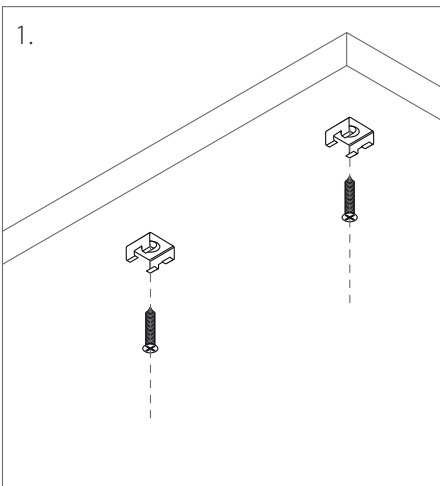
## Installation Instructions - PDS4ALU

Mocownik stalowy / Mounting bracket (steel)



## Installation Instructions - MICRO-ALU

Mocownik stalowy / Mounting bracket (steel)



## Installation Instruction - PDS-O

Mocownik stalowy / Mounting bracket (steel)

