

DESCRIPTION

Automate existing UFO LED high bay fixtures by installing this microwave high bay occupancy sensor and photocell. Installing into the pre-installed port, this motion sensor turns the fixture on, off, and adjusts the light level depending on current light levels and room occupancy.

FEATURES

- Allows fixture to turn on or off automatically depending on the amount of light or activity detected in area; see Motion Sensor Specifications for information on factory settings
- Installs into pre-installed port on select LED UFO high bays; see Compatible Fixture section for full list of fixtures.
- Optional remote control available to adjust motion sensor settings including light levels and daylight sensing; remote must be less than 49 feet from the sensor/fixture that is being controlled; see PLTS-12281 for more information

LISTINGS

- RoHS
- IP65

THERMAL

- -22°F to 140°F (-30° to 60°C) operating temperature

ELECTRICAL

- Operating Current: 30mA
- Microwave Frequency: 5.8GHz ±75MHz
- Microwave Power: <0.5W

INSTALLATION

- Remove the plastic cap from the prongs, then simply screw into the pre-installed port on select LED UFO high bays; see Compatible Fixture section for full list of fixtures.

WARRANTY

- 1 year limited warranty; see pltsolutions.com for warranty details

project name	type
catalog number	
comments	voltage
approved by	date



APPLICATIONS

- Warehouses
- Manufacturing Plants
- Distribution Centers
- Grocery Stores
- Gymnasiums
- Indoor Recreational Facilities
- Cold Storage
- Big Box Retail
- Service Repair Centers

PERFORMANCE SUMMARY

Item #	Input Voltage	Dimming	Mounting Height	Detection Range	Finish	Compatible Remote
PLT-12844	12±2V	0-10V	49.2' (15m) Max	49.2' Max	White	PLTS-12281

MOTION SENSOR SPECIFICATIONS

Input Voltage	12±2V
Stand-by Power	<0.5W
Dimming	0-10V
Mounting Height	49.2' (15m) Max
Sensor Range	49.2' Max
Detection Angle	360°
Default Setting*	<ul style="list-style-type: none"> Brightness - 100% Hold Time - 10 min Standby Dim - 50% Standby Time - 1 min Sensitivity: 100% Daylight - OFF
Brightness Setting**	0%-100% Quick Settings - 70%, 80%, 90%, 100%
Sensitivity Setting**	20%, 50%, 75%, 100%
Hold Time Setting**	10s, 1 min, 10 min, 30 min
Daylight Threshold**	10 Lux, 30 Lux, 50 lux, 100 Lux, OFF
Stand-by Dimming Level**	10%, 20%, 30%, 50%

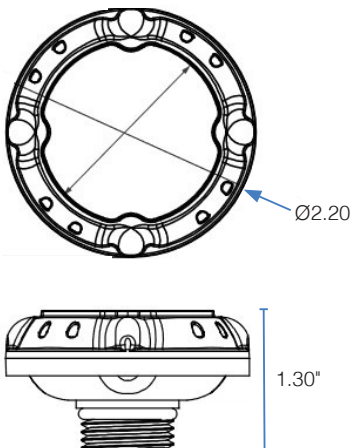
*Reset button on the PLTS-12281 remote returns sensor settings to these Default Settings. See PLTS-12281 for more information.

** Adjustable only with the PLTS-12281 remote. See PLTS-12281 for more information.

COMPATIBLE FIXTURES

SKU	Description
PLT-12379	Rotatable Linear LED High Bay – 400W MH Equal – 165W – 23,210 Lumens – 5000K – White Finish
PLT-12380	Wattage/CCT Selectable Linear LED High Bay – 400W MH Equal – 180/200/220W – 31,888 Lumen Max – 4000/5000K - White Finish
PLT-12414	Rotatable Linear LED High Bay – 250W MH Equal – 110W – 14,686 Lumens – 5000K – White Finish
PLT-12558	UFO LED High Bay – 250W MH Equal – 100W – 15,200 Lumens – 4000K – Black Finish
PLT-12559	UFO LED High Bay – 250W MH Equal – 100W – 14,800 Lumens – 5000K – Black Finish
PLT-12560	UFO LED High Bay – 250W MH Equal – 100W – 13,800 Lumens – 4000K – White Finish
PLT-12561	UFO LED High Bay – 250W MH Equal – 100W – 15,200 Lumens – 5000K – White Finish
PLT-12562	UFO LED High Bay – 400W MH Equal – 150W – 22,500 Lumens – 4000K – Black Finish
PLT-12563	UFO LED High Bay – 400W MH Equal – 150W – 22,500 Lumens – 5000K – Black Finish
PLT-12564	UFO LED High Bay – 400W MH Equal – 150W – 22,500 Lumens – 4000K – White Finish
PLT-12565	UFO LED High Bay – 400W MH Equal – 150W – 22,500 Lumens – 5000K – White Finish
PLT-12566	UFO LED High Bay – 1000W MH Equal – 240W – 36,500 Lumens – 4000K – Black Finish
PLT-12567	UFO LED High Bay – 400W MH Equal – 240W – 32,400 Lumens – 4000K – Black Finish
PLT-12568	UFO LED High Bay – 1000W MH Equal – 240W – 36,500 Lumens – 5000K – Black Finish
PLT-12569	UFO LED High Bay – 1000W MH Equal – 240W – 36,500 Lumens – 4000K – White Finish
PLT-12570	UFO LED High Bay – 1000W MH Equal – 240W – 36,500 Lumens – 5000K – White Finish
PLT-12572	UFO LED High Bay – 1500W MH Equal – 300W – 44,727 Lumens – 5000K – Black Finish
PLT-12630	UFO LED High Bay w/ Reflector – 400W MH Equal – 150W – 21,450 Lumens – 5000K – Black Finish
PLT-12631	UFO LED High Bay w/ Reflector – 400W MH Equal – 150W – 21,150 Lumens – 4000K – Black Finish
PLT-12632	UFO LED High Bay w/ Reflector – 1000W MH Equal – 240W – 34,560 Lumens – 5000K – Black Finish
PLT-12633	UFO LED High Bay w/ Reflector – 250W MH Equal – 100W – 14,600 Lumens – 5000K – Black Finish
PLT-12634	UFO LED High Bay w/ Reflector – 400W MH Equal – 150W – 21,150 Lumens – 4000K – White Finish
PLT-12635	UFO LED High Bay w/ Reflector – 400W MH Equal – 150W – 21,150 Lumens – 4000K – White Finish
PLT-12636	UFO LED High Bay w/ Reflector – 1000W MH Equal – 240W – 34,560 Lumens – 5000K – White Finish
PLT-12637	UFO LED High Bay w/ Reflector – 400W MH Equal – 150W – 21,000 Lumens – 3500K – Black Finish
PLT-12686	Linear LED High Bay – 400W MH Equal – 165W – 23,000 Lumens – 5000K – White Finish
PLT-12687	Linear LED High Bay – 400W MH Equal – 220W – 30,500 Lumens – 5000K – White Finish
PLT-12690	UFO LED High Bay – 400W MH Equal – 150W – 21,150 Lumens – 5000K – White Finish
PLT-12691	UFO LED High Bay – 400W MH Equal – 150W – 21,150 Lumens – 5000K – Black Finish
PLT-12692	UFO LED High Bay – 1000W MH Equal – 240W – 33,600 Lumens – 5000K – Black Finish
PLT-12693	UFO LED High Bay w/ Reflector – 400W MH Equal – 150W – 21,000 Lumens – 3500K – Black Finish
PLT-12939	UFO LED High Bay w/ Reflector – 250W MH Equal – 100W – 14,600 Lumens – 5000K – White Finish
PLT-12980	UFO LED High Bay w/ Reflector – 250W MH Equal – 100W – 14,400 Lumens – 5000K – Black Finish
PLT-12981	UFO LED High Bay – 1000W MH Equal – 240W – 33,600 Lumens – 5000K – White Finish

DIMENSIONS

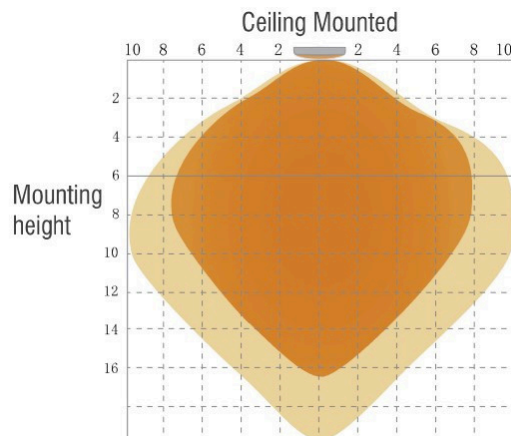


DIMENSIONS:

Diameter: 2.20"

Height: 1.30"

MOTION SENSOR COVERAGE



WARNINGS

- Plastic cap must be removed from the prongs before installing the sensor to the fixture.