

DESCRIPTION

Customize the brightness and color of lighting in your space by installing these wattage and color selectable Spec Grade LED downlight fixtures in their compatible trims. Each engine's junction box eliminates the need for traditional housing, making it an ideal choice for hardwired lighting in new constructions and remodels.

FEATURES

- Energy efficient replacement for 150W and 300W incandescents
- Light output will vary depending on the wattage selected, see Selectable Table for more information
- Can be paired with 4, 6, 8, or 10-inch aperture round or square aluminum trims (sold separately); see Compatible Trims section for list of compatible trims
- Does not require a recessed housing
- Can be paired with optional mounting plates for new construction; see Mounting Accessories section for list of compatible mounting plates
- Dimmable with 0-10V dimmers; see Compatible Dimmers section for full list of compatible dimmers
- Wattage and color temperature can be adjusted via switches on the side of the fixture; see installation instructions for more information

LISTINGS

- UL Listed for damp locations
- IC Rated (PLT-90287 only)
- Energy Star Certified

PERFORMANCE

- CRI: 80
- CCT: 3000K, 3500K, and 4000K
- Rated Lifetime L70: 60,000 hours

ELECTRICAL

- THD: <20%
- Power Factor: >0.9
- Input Voltage: 120-347V
- Surge protection: 1000V

THERMAL

- -4°F to 104°F (-20°C to 40°C) operating temperature

project name	type
catalog number	
comments	voltage
approved by	date



CONSTRUCTION

- Aluminum body
- Frosted PMMA lens

WARRANTY

- 5-year limited warranty; see pltsolutions.com for warranty details

APPLICATIONS

- Offices
- Conference Rooms
- Lobbies
- High-end Hotels
- High-end Restaurants
- Living Rooms
- Hallways

PERFORMANCE	Power Consumption*	10, 15, 20, 27, 34, 40 Watt
	CRI	80
	CCT*	3000K, 3500K, 4000K
	LED L70 Life Hours	60,000
ELECTRICAL	Power Factor	>0.9
	THD	<20%
	Input Voltage	120-347V
CONSTRUCTION	Housing	Aluminum
	Lens	Frosted
LISTINGS	Certifications	UL Listed, IC,
	Environment	Damp Location Rated

* See Selectable Table for full breakdown

PERFORMANCE SUMMARY

Item #	UPC	Size	Wattage*	CCT*	Voltage	Replaces	CRI	LED L70 Life Hours	Dimmable	IC Rated	Default Setting	Energy Star
PLT-90287	842821119970	4"	10/ 15/ 20	3000K/ 3500K/ 4000K	120-347V	120W	80	60,000	Yes	Yes	20W, 3500K	PLTRC111#
PLT-90288	842821119987	4"	27/ 34/ 40	3000K/ 3500K/ 4000K	120-347V	240W	80	60,000	Yes	No	40W, 3500K	PLTRC2111

* See Selectable Table for full breakdown

SELECTABLE TABLE

Item #	Wattage	CCT	Lumens	Efficacy
PLT-90287	10	3000K	740	74
		3500K	770	77
		4000K	800	80
	15	3000K	1065	71
		3500K	1125	75
		4000K	1170	78
	20	3000K	1380	69
		3500K	1440	72
		4000K	1500	75
PLT-90288	27	3000K	2685	99
		3500K	2882	106
		4000K	2787	103
	34	3000K	3206	94
		3500K	3366	99
		4000K	3298	97
	40	3000K	3587	89
		3500K	3844	96
		4000K	3711	92

COMPATIBLE TRIMS

Item #	Description
PLT-90289	4" Aperture Round Trim - White finish with Matte Silver Reflector
PLT-90290	6" Aperture Round Trim - White finish with Matte Silver Reflector
PLT-90291	8" Aperture Round Trim - White finish with Matte Silver Reflector
PLT-90292	10" Aperture Round Trim - White finish with Matte Silver Reflector
PLT-90333	4" Aperture Square Trim - White finish with Matte Silver Reflector
PLT-90334	6" Aperture Square Trim - White finish with Matte Silver Reflector
PLT-90335	4" Aperture Wall Wash Square Trim - White finish with Matte Silver Reflector
PLT-90336	6" Aperture Wall Wash Square Trim - White finish with Matte Silver Reflector
PLT-90337	4" Aperture Wall Wash Round Trim - White finish with Matte Silver Reflector
PLT-90338	6" Aperture Wall Wash Round Trim - White finish with Matte Silver Reflector

COMPATIBLE DIMMERS

Brand	Model #
Lutron	DVLV
Leviton	IP-710-DL

MOUNTING ACCESSORIES

Item #	Description
PLT-90387	3" to 8" Round Mounting Plate - for New Construction
PLT-90388	4" to 6" Square Mounting Plate - for New Construction

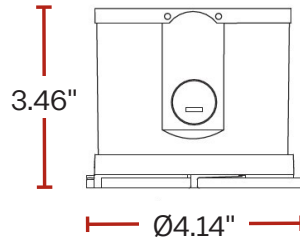
DOWNLIGHT ENGINE DIMENSIONS

10/15/20W ENGINE:

Height: 3.46"

Diameter: 4.14"

Weight: 1.03 lbs

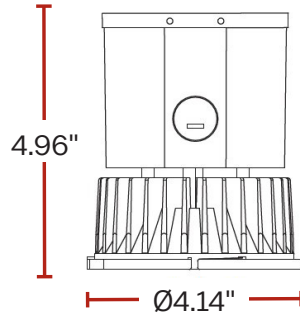


27/34/40W ENGINE:

Height: 4.96"

Diameter: 4.14"

Weight: 1.62 lbs



ROUND TRIM DIMENSIONS

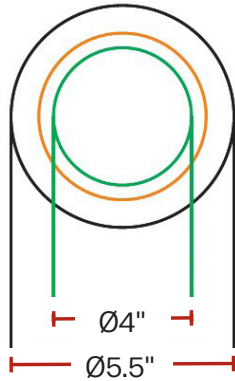
4" DIMENSIONS:

Inside Diameter – 4"

Outside Diameter – 5.5"

Height – 2.8"

Hole Cut Size – 4.7" to 5.2"



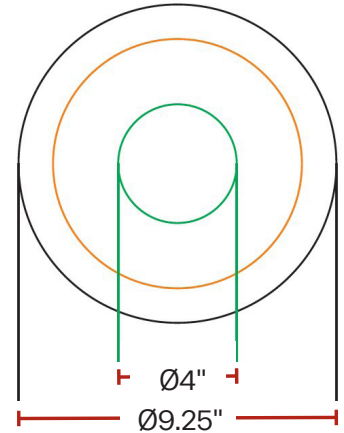
8" DIMENSIONS:

Inside Diameter – 7"

Outside Diameter – 9.25"

Height – 3.25"

Hole Cut Size – 7.2" to 8.9"



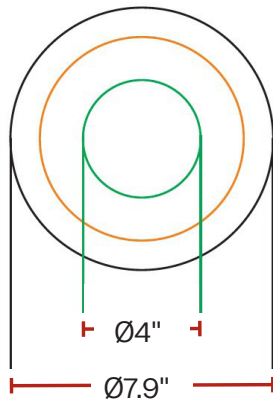
6" DIMENSIONS:

Inside Diameter – 5.6"

Outside Diameter – 7.9"

Height – 2.5"

Hole Cut Size – 6" to 7.3"



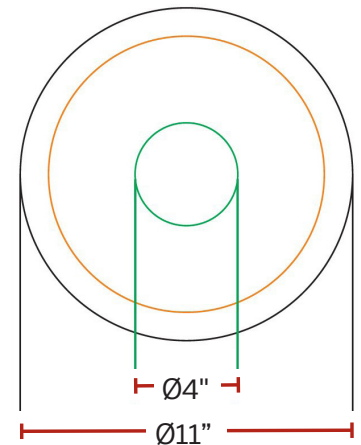
10" DIMENSIONS:

Inside Diameter – 9"

Outside Diameter – 11"

Height – 4.3"

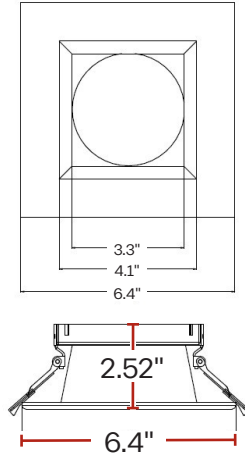
Hole Cut Size – 9.5" to 10.8"



SQUARE TRIM DIMENSIONS

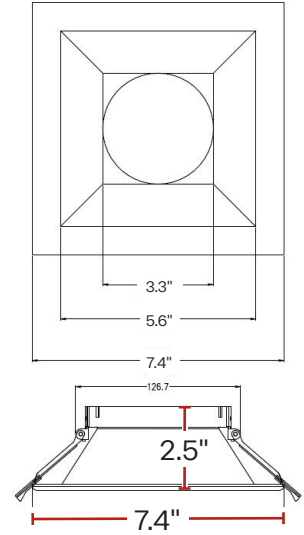
4" DIMENSIONS:

- Inside Width – 4.1"
- Inside Length – 4.1"
- Inside Opening Diameter – 3.3"
- Outside Width – 6.4"
- Outside Length – 6.4"
- Height – 2.52"
- Hole Cut Size - 5.3" to 6"



6" DIMENSIONS:

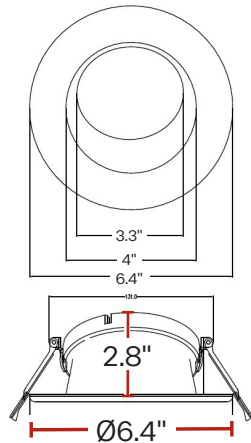
- Inside Width – 5.6"
- Inside Length – 5.6"
- Inside Opening Diameter – 3.3"
- Outside Width – 7.4"
- Outside Length – 7.4"
- Height – 2.5"
- Hole Cut Size - 6" to 7.3"



WALL WASH TRIM DIMENSIONS

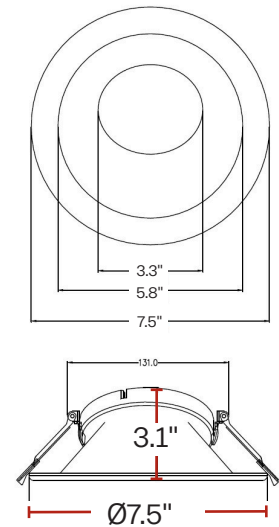
4" ROUND DIMENSIONS:

- Inside Diameter – 4"
- Inside Opening Diameter – 3.3"
- Outside Diameter – 6.4"
- Height – 2.8"
- Hole Cut Size – 4.7" to 5.2"



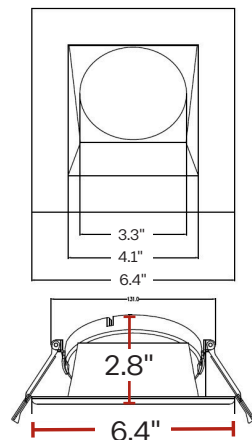
6" ROUND DIMENSIONS:

- Inside Diameter – 5.8"
- Inside Opening Diameter – 3.3"
- Outside Diameter – 7.5"
- Height – 3.1"
- Hole Cut Size – 6" to 7.3"



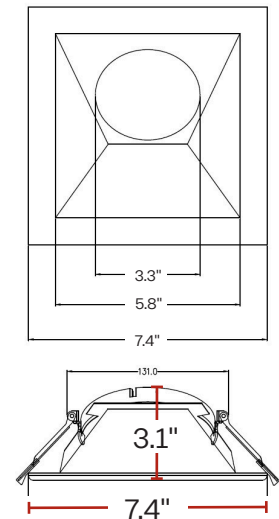
4" SQUARE DIMENSIONS:

- Inside Width – 4.1"
- Inside Length – 4.1"
- Inside Opening Diameter – 3.3"
- Outside Width – 6.4"
- Outside Length – 6.4"
- Height – 2.8"
- Hole Cut Size - 5.3" to 6"



6" SQUARE DIMENSIONS:

- Inside Width – 5.8"
- Inside Length – 5.8"
- Inside Opening Diameter – 3.3"
- Outside Width – 7.4"
- Outside Length – 7.4"
- Height – 3.1"
- Hole Cut Size - 6" to 7.3"



MOUNTING PLATE DIMENSIONS

PLT-90387

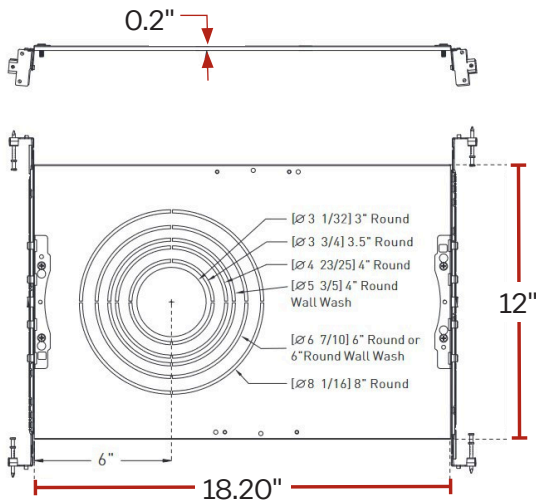
Length – 18.20"

Width – 12"

Punch Out Diameters:

- 3" Round – 3 1/32"
- 3.5" Round – 3 3/4"
- 4" Round – 4 32/25"
- 4" Round Wall Wash – 5 3/5"
- 6" Round or 6" Round Wall Wash – 6 7/10"
- 8" Round – 8 1/16"

Bar Width – 0.2"



PLT-90388

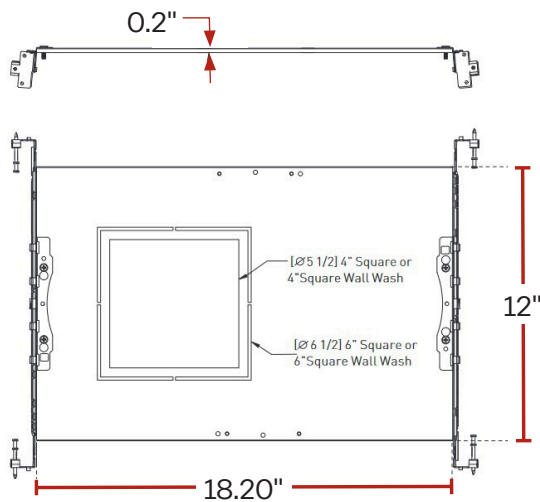
Length – 18.20"

Width – 12"

Punch Out Diameters:

- 4" Square or 4" Square Wall Wash – 5 1/2"
- 6" Square or 6" Square Wall Wash – 6 1/2"

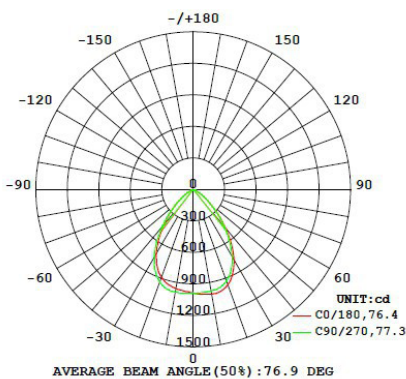
Bar Width – 0.2"



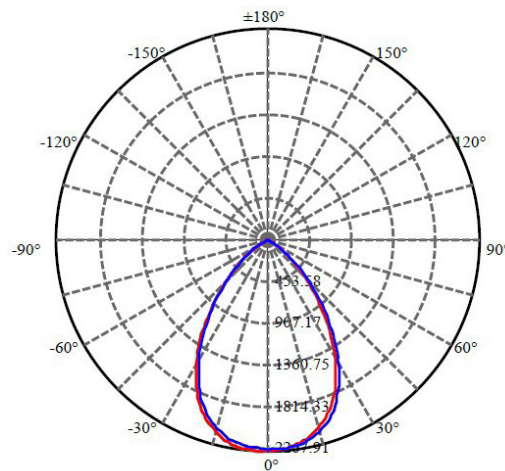
PHOTOMETRICS

20W PHOTOMETRICS

LUMINOUS INTENSITY DISTRIBUTION DIAGRAM



40W PHOTOMETRICS



WARNINGS

- Only use this LED downlight with the dimmers listed in the compatibility list. Using this downlight with incompatible dimmers may cause performance issues including humming, buzzing, flickering, and poor dimming performance.