

DESCRIPTION

Improve overall light coverage in stadiums, exhibition centers, outdoor sports fields, and other similar locations by replacing existing metal halide fixtures with these round LED sports lights featuring Bridgelux LED chips. Using a fraction of the energy of their metal halide counterparts, these powerful sports lights greatly reduce energy costs while providing consistent lighting that can be easily aimed where needed using the included yoke mount.

FEATURES

- Delivers up to 139 LPW for highly efficient performance
- Replaces up to a 2100W metal halide fixture
- Yoke mount adjusts up to 250-degrees up or down
- Includes optional visor
- 0-10V dimming

LISTINGS

- UL rated for wet locations
- IP66
- BUG: B5-U0-G3
- DesignLights Consortium® 5.1 Premium - meets the requirements for the highest DLC qualification for efficacy and lumen maintenance

PERFORMANCE

- CRI: >70
- CCT: 5000K
- Rated lifetime L70 LED life @ 25C ≥100,000 hours

THERMAL

- -40°F to 113°F or (-40°C to 45°C) operating temperature

ELECTRICAL

- THD: ≤20%
- Power Factor: ≥0.9
- Input Voltage: 120-277V, 277-480V
- Surge Protection: 20kV
- Dimmable power supply (0-10V)

INSTALLATION

- Designed for installation with included yoke mount; see installation instructions for more information.

CONSTRUCTION

- Die-cast aluminum housing with black finish
- Impact-resistant PC lens

project name	type
catalog number	
comments	voltage
approved by	date



WARRANTY

- 5-year prorated warranty; see pltsolutions.com for warranty details

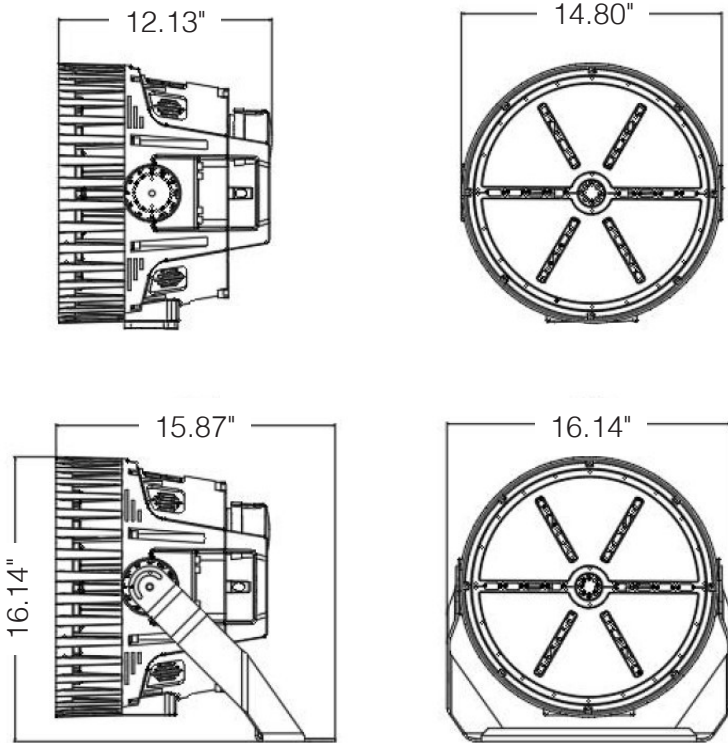
APPLICATIONS

- Parking Lots
- Outdoor Sports
- Stadiums
- Exhibition Center

PERFORMANCE SUMMARY

Item #	Watts	Lumens	LPW	CCT	Beam Angle	CRI	Dimming	Voltage	Replaces	DLC #	DLC Level	
PLT-12449	480W	66,600	139	5000K	30°	>70	0-10V	120-277V	Up to 1700W MH	PLTSNL1111232	5.1 Premium	In Stock
PLT-12450	480W	66,600	139	5000K	40°	>70	0-10V	120-277V	Up to 1700W MH	PLTSNL1121232	5.1 Premium	Built to Order Call for lead time
PLT-12451	480W	66,600	139	5000K	30°	>70	0-10V	277-480V	Up to 1700W MH	PLTSNL1211232	5.1 Premium	Built to Order Call for lead time
PLT-12452	480W	66,600	139	5000K	40°	>70	0-10V	277-480V	Up to 1700W MH	PLTSNL1221232	5.1 Premium	Built to Order Call for lead time
PLT-12453	600W	72,100	120	5000K	30°	>70	0-10V	120-277V	Up to 2100W MH	PLTSNL2111232	5.1 Premium	In Stock
PLT-12454	600W	72,100	120	5000K	40°	>70	0-10V	120-277V	Up to 2100W MH	PLTSNL2121232	5.1 Premium	Built to Order Call for lead time
PLT-12455	600W	72,100	120	5000K	30°	>70	0-10V	277-480V	Up to 2100W MH	PLTSNL2211232	5.1 Premium	Built to Order Call for lead time
PLT-12456	600W	72,100	120	5000K	40°	>70	0-10V	277-480V	Up to 2100W MH	PLTSNL2221232	5.1 Premium	Built to Order Call for lead time

DIMENSIONS



DIMENSIONS

Diameter: 14.80"
 Height (w/ mount): 16.14"
 Width (w/ mount): 16.14"
 Depth: 12.13"
 Depth (w/ mount): 15.87"
 Weight: 27.79 lbs
 Weight (w/ mount): 32.19 lbs

Yoke Height: 10.08"
 Yoke Width: 16.16"
 Yoke Base Width: 4.53"
 Yoke Arm Extension: 11.74"