



LED SPORT LIGHT FIXTURE

WARNING, CAUTION, SAFETY AND INSTALLATION INSTRUCTIONS

WARNING

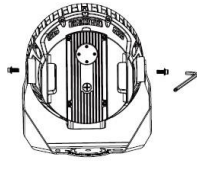
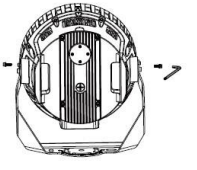
- Installation, service, and maintenance of luminaries should be performed by a qualified licensed electrician.
- Do not install fixtures during inclement weather.

CAUTION


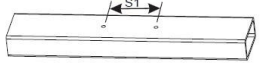
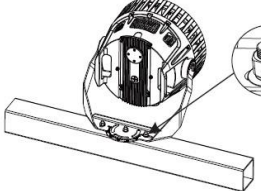

- Ensure that the voltage is within the product identification range.
- Use wires that comply with UL (or other local standards) for wiring. The voltage AC 100-277V should be wired with no led than 16 AWG, and 18 AWG wire for AC 277V-430V.
- Do not install in a hazardous environment. The ambient temperature must not exceed the rated operating temperature of the product.
- Please use with a listed waterproof strain relid bushing when connecting the power supply cord to the outlet box.
- Do not use an electric generator to test this fixture.
- Use only 0-10V passive dimmers.
- Min 75°C supply conductors.

Installation Instructions

Flood Mounting (FM)

<ol style="list-style-type: none"> 1. Attach the bracket to the heat sink with M10 screws (Figure 1). 2. Attach fixture with M6 screws after adjusting the required angle (Figure 2). 	 <p style="text-align: center;">Figure 1</p>  <p style="text-align: center;">Figure 2</p>
---------------------------------------------------------------------------------------------------------------------------------------------------------------------------------------------------------------	--------------------------------------------------------------------------------------------------------------------------------------------------------------------------------------------------------------------------------------------------------------------

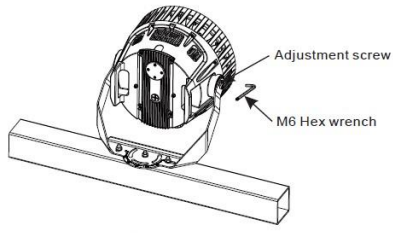
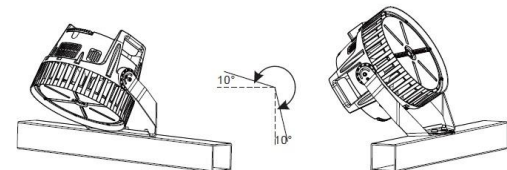
Pole Mounting

<ol style="list-style-type: none"> 1. Mark the hold distance S1 shown on the product to be installed (Figure 5). 2. Drill two holes on the mounting bar (Figure 6). 	 <p style="text-align: center;">Figure 5</p> <table border="1" data-bbox="1307 1375 1453 1449"> <tr> <td>POWER</td> <td>400/500W</td> </tr> <tr> <td>S1</td> <td>190mm</td> </tr> </table>  <p style="text-align: center;">Figure 6</p>	POWER	400/500W	S1	190mm
POWER	400/500W				
S1	190mm				
<ol style="list-style-type: none"> 3. Install the luminaire on the crossbar and secure it with bolts, nuts, spring washers, and flat washers (Figure 7). 	 <p style="text-align: center;">Figure 7</p> <div style="display: flex; align-items: center;"> <div style="margin-right: 10px;"> <p>Nut</p> <p>Spring washer</p> <p>Flat washer</p> </div>  </div> <p style="text-align: right;">M12</p>				

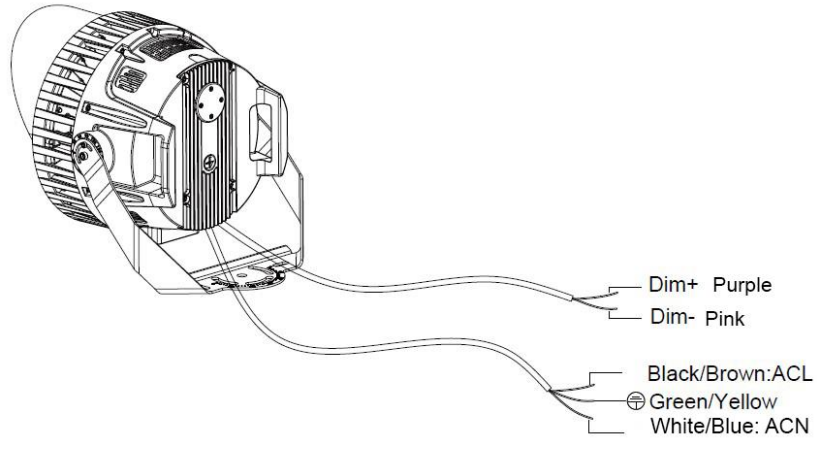


LED SPORT LIGHT FIXTURE

WARNING, CAUTION, SAFETY AND INSTALLATION INSTRUCTIONS

4. Use a M6 hex wrench to loosen the adjustment screw in order to adjust the angle (Figure 8).	 <p>Figure 8</p>
5. Adjust the projection adjustment range (Figure 9).	 <p>Figure 9</p>
6. Lock the adjustment screw. 7. Using the wiring diagram, select the proper gauge of wire.	

Wiring Diagram

	<p>Notice: Please use the dimming+, dimming- (DC10V) marking leads to connect to outside dimmer. Class 1 wiring only. Please assure a cumulative leakage current of less than 3.5mA on the control circuit. The AUX control wire with shrinkable tubing shall not be damaged (no connection).</p>
-----------------------------------------------------------------------------------	----------------------------------------------------------------------------------------------------------------------------------------------------------------------------------------------------------------------------------------------------------------------------------------------------------------------

⚠ WARNING

- Before installing, servicing, or performing routine maintenance upon this equipment, follow these general precautions.
- To reduce the risk of death, personal injury, or property damage from fire, electric shock, falling parts, cuts/abrasions, and other hazards, read all warnings and instructions included with and on the fixture box and all fixture labels.
- Proper grounding is required to ensure safety.
- Power must be turned off at the breaker before installation or maintenance.
- This product must be installed in accordance with the applicable installation code by a person familiar with the construction and operation of the product and the hazards involved.
- Wear gloves and eye protection at all times while installing, servicing, or performing maintenance on the luminaire, and avoid direct eye exposure to the light source while it is on.



LED SPORT LIGHT FIXTURE

WARNING, CAUTION, SAFETY AND INSTALLATION INSTRUCTIONS

- To prevent wiring damage or abrasion, do not expose wiring to edges of sheet metal or other sharp objects.
- Do not install damaged product. Inspect luminaire for damage that may have occurred during transit. If damaged, contact the manufacturer immediately.
- These instructions do not purport to cover all details or variations in equipment nor to provide every possible contingency to meet in connection with installation, operation, or maintenance. Should further information be desired or should particular problems arise which are not covered sufficiently for the purchaser's or owner's purposes, contact the manufacturer.

⚠ ADVERTENCIA

- Antes de instalar, reparar o realizar el mantenimiento de rutina de este equipo, siga estas precauciones generales.
- Para reducir el riesgo de muerte, lesiones personales o daños a la propiedad por fuego, descarga eléctrica, caída de piezas, cortes / abrasiones y otros peligros, lea todas las advertencias y instrucciones incluidas con y en la caja del dispositivo y todas las etiquetas del dispositivo.
- Se requiere una conexión a tierra adecuada para garantizar la seguridad.
- Se debe apagar la energía en el disyuntor antes de la instalación o el mantenimiento.
- Este producto debe ser instalado de acuerdo con el código de instalación aplicable por una persona familiarizada con la construcción y operación del producto y los peligros involucrados.
- Utilice guantes y protección para los ojos en todo momento durante la instalación, el servicio o el mantenimiento de la luminaria, y evite la exposición directa de los ojos a la fuente de luz mientras está encendida.
- Para evitar daños o abrasiones en el cableado, no exponga el cableado a bordes de láminas de metal u otros objetos afilados.
- No instale un producto dañado. Inspeccione la luminaria en busca de daños que puedan haber ocurrido durante el tránsito. Si está dañado, comuníquese con el fabricante de inmediato.
- Estas instrucciones no pretenden cubrir todos los detalles o variaciones en el equipo ni proporcionar todas las posibles contingencias a cumplir en relación con la instalación, operación o mantenimiento. Si desea obtener más información o si surgen problemas particulares que no están suficientemente cubiertos para los propósitos del comprador o propietario, comuníquese con el fabricante.