

LED CEILING LIGHT

Model No. EIN-CL57WH-1000e

Ideal for kitchens, hallways and entryways, this Euri Lighting flushmount ceiling light features a switch on the unit which allows for adjustment of the color temperature 2700K/3000K/3500K/4000K/5000K. Energy efficient and long-lasting, this LED ceiling light reduces energy costs and maintenance worries, while still adding a simple touch of style to any home. Features include: dimming option, 5CCT selectable, wet rated, Title24 and Energy Star.



White Aluminum Housing & Frosted Plastic Lens



15 Watts



5CCT Selectable



Dimmable (Using Triac)



Energy Efficient



Wet Rated



Integrated LED Fixture

Electrical Specifications

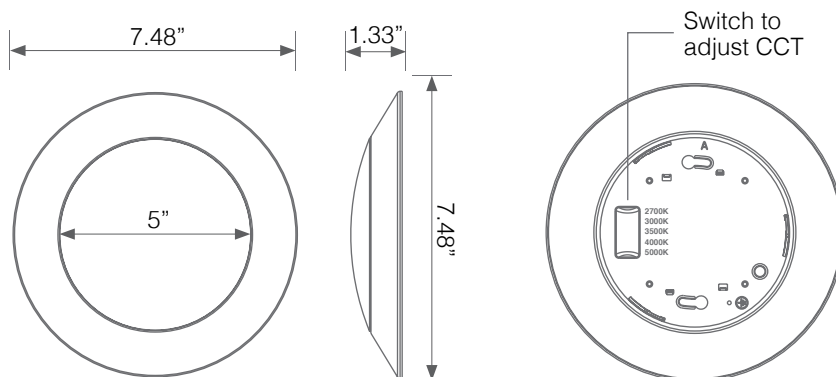
Model No.	Input Power	Input Voltage	Lumen Output	Beam Angle	Center Beam	CCT
EIN-CL57WH-1000e	15 W	120V	1000 lm	110°	N/A	2700/3000/3500 4000/5000K

CRI	Luminous Efficacy	Power Factor	Input Current	Base	Lamp Lifespan	Estimated Yearly Cost
90	66.7 lm/W	0.9	0.135 A	Disk	50,000 Hrs.	\$ 1.80

Mechanical Specifications

Rating	Operational Temperature	Inner Box QTY.	Master Box QTY.	Dimensions(in.)	UPC Code
Wet Rated	-4°F - 104°F	1 pc	12 pcs	7.48"(ø) x 1.33"(H)	811174035138

Product Dimensions



Product Photometric Data

