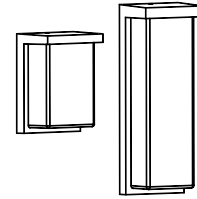




Questions?

For customer service please call us at 1-310-787-1100
Office Hours: 8:00 a.m. – 5:00 p.m. PST Monday-Friday
www.eurilighting.com



**3 Wattage &
3 CCT Selectable
LED WALL
SCONCE**

PLEASE REVIEW THE INSTRUCTIONS AND WARNINGS LISTED BELOW PRIOR TO PROPER INSTALLATION

WARNINGS

PLEASE READ ALL INSTRUCTIONS BEFORE ATTEMPTING INSTALLATION

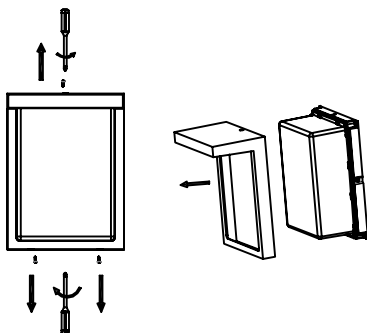
- To prevent personal injury or product damage only licensed electricians should install.
- To avoid electric shock or component damage disconnect power before attempting installation or servicing.
- Disconnect product and allow cooling prior to servicing.
- Any alteration or modification and/or electrical shock to this product is forbidden as it may cause personal injury, death property damage and/or product malfunction.
- This luminaire is designed to operate in ambient temperatures ranging from -20°C to 40°C (-4°F to 104°F)
- MIN 75°C SUPPLY CONDUCTORS.
- CONSULT A QUALIFIED ELECTRICIAN TO ENSURE CORRECT BRANCH CIRCUIT CONDUCTOR.

MOUNTING BRACKET

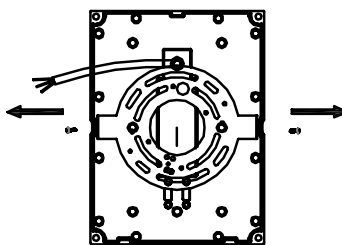


INSTALLATION METHOD A

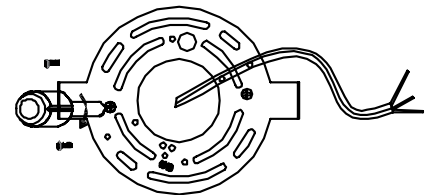
Step 1: Remove the 3 screws on the outer frame, one on the top and two at the bottom, then detach the outer frame.



Step 2: Remove the screws on both sides of the light, and take out the installation bracket.



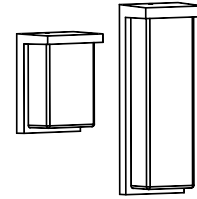
Step 3: Screw the bracket onto the wall.





Questions?

For customer service please call us at 1-310-787-1100
Office Hours: 8:00 a.m. – 5:00 p.m. PST Monday-Friday
www.eurilighting.com

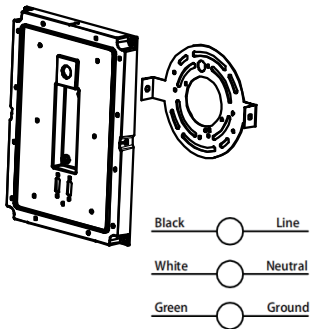


**3 Wattage &
3 CCT Selectable
LED WALL
SCONCE**

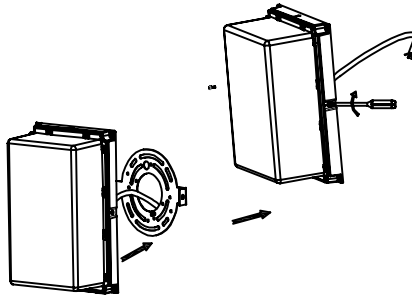
PLEASE REVIEW THE INSTRUCTIONS AND WARNINGS LISTED BELOW PRIOR TO PROPER INSTALLATION

INSTALLATION METHOD A

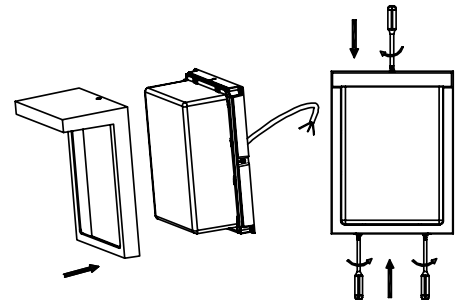
Step 4: Connect the light cable to the power input cable.



Step 5: Screw and fasten the light to the bracket by aligning the holes, and screw on both sides.

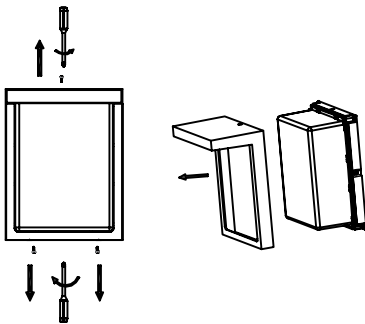


Step 6: Screw and fasten the outer frame back to the light with one screw on the top and two screws at the bottom.



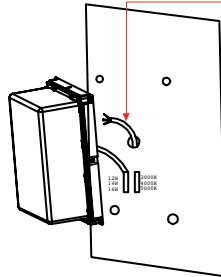
INSTALLATION METHOD B

Step 1: Remove the 3 screws on the outer frame, one on the top and two at the bottom, then detach the outer frame.

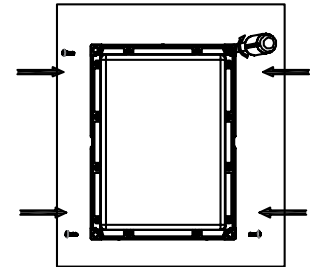


Step 2: Connect the light cable to the power input cable.

Attention: The screw hole on top of the light is mounted facing the front part of the light.



Step 3: Screw and fasten the light to the wall with 4 KA5X12 screws on the 4 corners of the light.



Step 4: Screw and fasten the outer frame back to the light with one screw on the top and two screws at the bottom.

