



COLOR/WATTAGE SELECTABLE SEMI-CUTOFF LED WALL PACK FIXTURE

WARNING, CAUTION, SAFETY AND INSTALLATION INSTRUCTIONS

WARNING

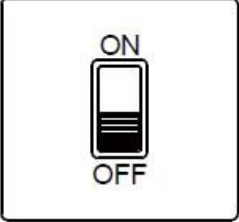
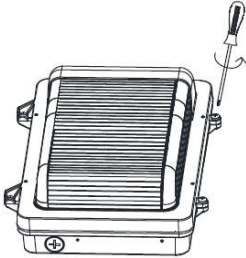
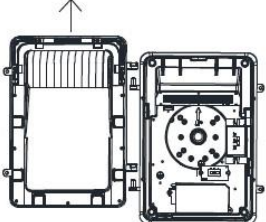
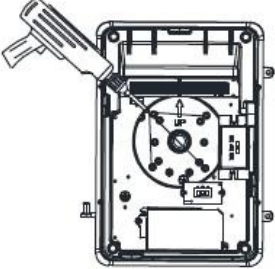
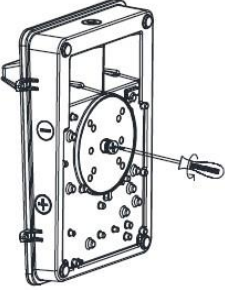
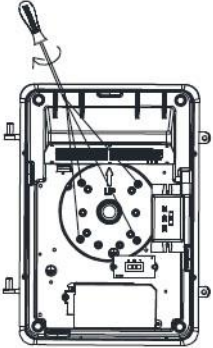
- Installation, service, and maintenance of luminaires should be performed by a qualified licensed electrician.
- Read the installation instructions carefully before installation
- This luminaire must be installed in accordance with the National Electrical Code and applicable local codes and ordinances.
- Wear gloves to avoid injury during installation.
- Notify the manufacturer if the fixture was damaged in transit.

CAUTION

- Do not use an electric generator to test this fixture.
- In the event of smoke or fire, turn off the power immediately and call a licensed electrician.
- Use a strain relief bushing between the fixture and outlet box when connecting power wires.
- To avoid the risk of shock or fixture failure, don't install the fixture during inclement weather.
- The distance of the fixture from the ground should be more than 6.56'.

Installation Instructions

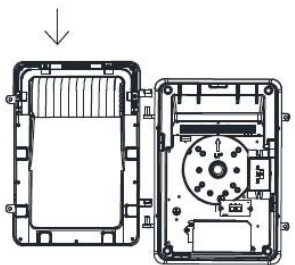

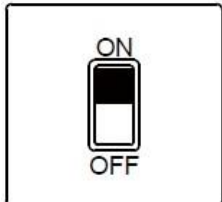
J-box Mounting

<p>1. Turn off the power.</p> 	<p>2. Use a Philips head screwdriver to remove the screws on both sides.</p> 	<p>3. Open the fixture and remove the upper cover of the fixture.</p> 
<p>4. Drill mounting holes for J-box using an electric drill.</p> 	<p>5. Use a Philips head screwdriver to remove the plug. Attach the EVA cotton pad to bottom.</p> 	<p>6. Lock the bottom shell on the mounting seat with screws. Connect the L, N, and G wires to the power supply.</p> 

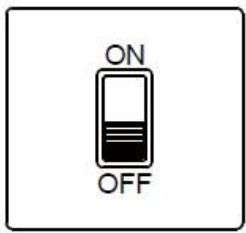
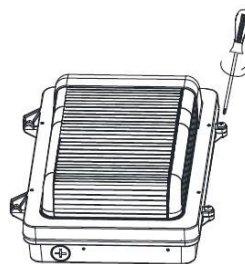
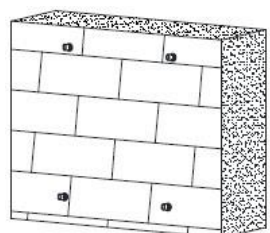
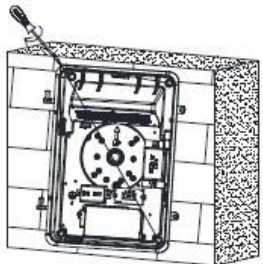
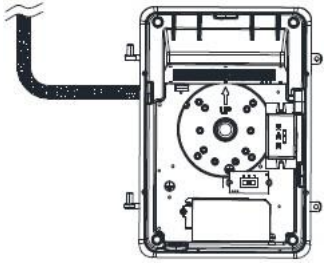
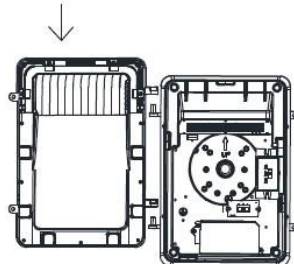
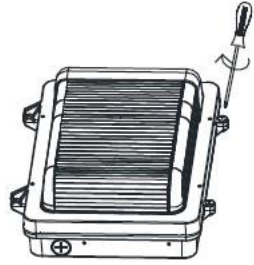
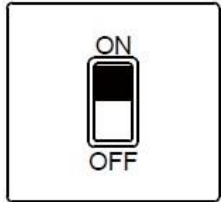


COLOR/WATTAGE SELECTABLE SEMI-CUTOFF LED WALL PACK FIXTURE

WARNING, CAUTION, SAFETY AND INSTALLATION INSTRUCTIONS

<p>7. Mount the cover on the fixture.</p> 	<p>8. Screw the cover on the fixture.</p> 	<p>9. Make sure the installation is complete before turning on the power switch.</p> 
---	---	--

Wall Mounting

<p>1. Turn off the power.</p> 	<p>2. Use a Philips head screwdriver to remove the screws on both sides and remove the upper cover of the fixture.</p> 	<p>3. Drill mounting holes with an electric drill. Push the expansion rubber plug (by others) into the mounting hole.</p> 
<p>4. Screw the housing base to the brick wall.</p> 	<p>5. Connect the L, N, and G wires to the power supply.</p> 	<p>6. Mount the cover on the fixture.</p> 
<p>7. Secure the front cover to the housing.</p> 	<p>8. Make sure the installation is complete before turning on the power.</p> 	



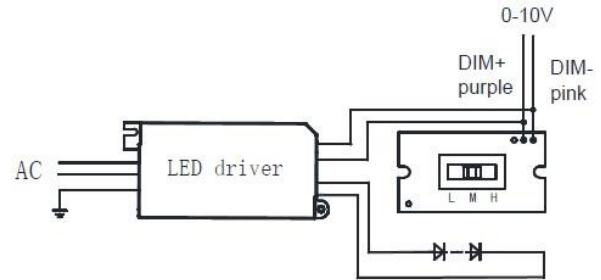
COLOR/WATTAGE SELECTABLE SEMI-CUTOFF LED WALL PACK FIXTURE

WARNING, CAUTION, SAFETY AND INSTALLATION INSTRUCTIONS

Wiring

- L/Live: Black
- N/Neutral: White
- Ground wire: Green/Yellow-green

Make sure the earth wire of the driver and fixture's housing are connected with the earth wire of the local power supply.



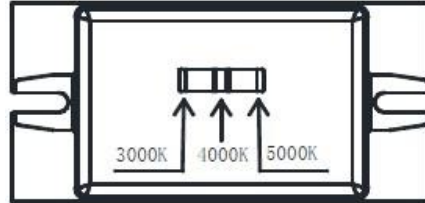
Selectable Wattage and CCT

Wattage Adjustment

- Adjust the wattage knob on the switch designated L-M-H to the desired setting to achieve the proper illumination level (See the above wiring diagram).
- **NOTE:** Please turn off the power before adjusting the wattage.

Color Temperature Adjustment

- Position the color switch to 3000K for soft white, 4000K for cool white, or 5000K for daylight.
- **NOTE:** Please turn off the power before adjusting the color temperature.



⚠ WARNING

- Before installing, servicing, or performing routine maintenance upon this equipment, follow these general precautions.
- To reduce the risk of death, personal injury, or property damage from fire, electric shock, falling parts, cuts/abrasions, and other hazards, read all warnings and instructions included with and on the fixture box and all fixture labels.
- Proper grounding is required to ensure safety.
- Power must be turned off at the breaker before installation or maintenance.
- This product must be installed in accordance with the applicable installation code by a person familiar with the construction and operation of the product and the hazards involved.
- Wear gloves and eye protection at all times while installing, servicing, or performing maintenance on the luminaire, and avoid direct eye exposure to the light source while it is on.
- To prevent wiring damage or abrasion, do not expose wiring to edges of sheet metal or other sharp objects.
- Do not install damaged product. Inspect luminaire for damage that may have occurred during transit. If damaged, contact the manufacturer immediately.



COLOR/WATTAGE SELECTABLE SEMI-CUTOFF LED WALL PACK FIXTURE WARNING, CAUTION, SAFETY AND INSTALLATION INSTRUCTIONS

- These instructions do not purport to cover all details or variations in equipment nor to provide every possible contingency to meet in connection with installation, operation, or maintenance. Should further information be desired or should particular problems arise which are not covered sufficiently for the purchaser's or owner's purposes, contact the manufacturer.

⚠ ADVERTENCIA

- Antes de instalar, reparar o realizar el mantenimiento de rutina de este equipo, siga estas precauciones generales.
- Para reducir el riesgo de muerte, lesiones personales o daños a la propiedad por fuego, descarga eléctrica, caída de piezas, cortes / abrasiones y otros peligros, lea todas las advertencias y instrucciones incluidas con y en la caja del dispositivo y todas las etiquetas del dispositivo.
- Se requiere una conexión a tierra adecuada para garantizar la seguridad.
- Se debe apagar la energía en el disyuntor antes de la instalación o el mantenimiento.
- Este producto debe ser instalado de acuerdo con el código de instalación aplicable por una persona familiarizada con la construcción y operación del producto y los peligros involucrados.
- Utilice guantes y protección para los ojos en todo momento durante la instalación, el servicio o el mantenimiento de la luminaria, y evite la exposición directa de los ojos a la fuente de luz mientras está encendida.
- Para evitar daños o abrasiones en el cableado, no exponga el cableado a bordes de láminas de metal u otros objetos afilados.
- No instale un producto dañado. Inspeccione la luminaria en busca de daños que puedan haber ocurrido durante el tránsito. Si está dañado, comuníquese con el fabricante de inmediato.
- Estas instrucciones no pretenden cubrir todos los detalles o variaciones en el equipo ni proporcionar todas las posibles contingencias a cumplir en relación con la instalación, operación o mantenimiento. Si desea obtener más información o si surgen problemas particulares que no están suficientemente cubiertos para los propósitos del comprador o propietario, comuníquese con el fabricante.