



WARNING

- Installation, service, and maintenance of luminaires should be performed by a qualified licensed electrician.
- Read and follow all safety instructions, and save these instructions.
- Install in accordance with the National Electrical Code and local regulations.
- Do not use this equipment for other than intended use.
- While these products are compliant with the requirements of UL Standard 924, it is ultimately the responsibility of the designer/specifier to assure the as-installed system delivers code compliant path of egress illumination in accordance with federal, state or local municipal requirements.

CAUTION

- This is a sealed unit. Components are not replaceable. Replace the entire LED emergency backup until when necessary.
- This LED emergency backup unit requires an un-switched AC power source of 120-277V, 50/60 Hz, open circuit voltage: 200VDC. The AC driver **MUST** be on the same branch circuit as the LED emergency backup unit.
- The driver is intended for ordinary locations and for permanent installation into one or more Listed emergency luminaires.
- To prevent high voltage from being present on black & white output leads prior to installation, the inverter connection must be open. Do not join inverter connector until installation is complete and AC power is supplied to the emergency driver.
- Do not let power supply cords touch hot surfaces.
- Do not mount near gas or electric heaters.
- The use of accessory equipment not recommended by the manufacturer may cause a safety hazard.
- Use with grounded, UL Listed, damp location rated fixtures and case should be grounded.
- The emergency driver needs to be replaced if the battery discharged with environment temperature below 0°C (32° F).

NOTICE

- For use with most 14W through 40W TS, T5 or T12 single end or double end Type B LED lamps. It can provide a constant power output of about 10 watts in emergency mode. Operates one lamp in the emergency mode for a minimum of 90 minutes.
- Equipment should be mounted in locations and at heights where it will not readily be subjected to tampering by unauthorized personnel.
- New batteries may require an initial 12 hours of charging before testing emergency function.
- Do not use outdoors.

Maximum Mounting Height

Model	Luminaire	Max. Mounting Height
PLTSP92	One (1) LED tube, Classified (IFAR/7), PRECISION LIGHTING & TRANSFORMER INC (E503246) Model PLTSP3E21X with 3000-5000K color temperature and opal diffuser, LEDs manufactures by Bridgelux, Inc, model 2835.	17.7 ft 5.23 m



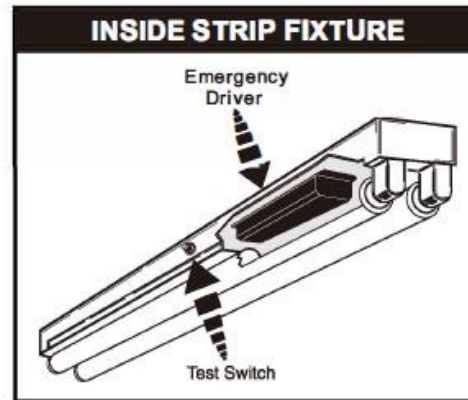
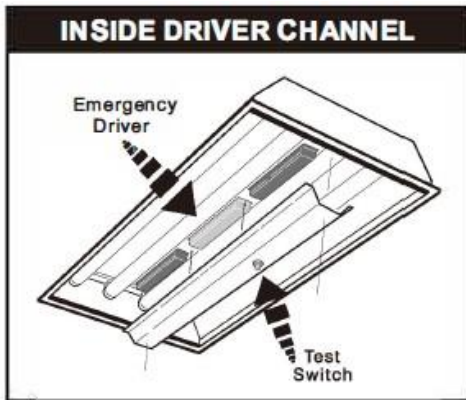
10W CONSTANT CURRENT LED EMERGENCY BACKUP DRIVER

WARNING, CAUTION, SAFETY AND INSTALLATION INSTRUCTIONS

One (1) LED tube, Classified (IFAR/7), PRECISION LIGHTING & TRANSFORMER INC (E503246) Model PLTSP2K21X with 3000-5000K color temperature and opal diffuser, LEDs manufactured by Bridgelux, Inc, model 2835.	15.93 ft 4.8 m
One (1) LED tube, Classified (IFAR/7), PRECISION LIGHTING & TRANSFORMER INC (E503246) Model PLTSP4M2X & PLTSP4121X with 3000-5000K color temperature and opal diffuser, LEDs manufactured by Bridgelux, Inc, model 2835.	14.71 ft 4.48 m
One (1) LED tube, Classified (IFAR/7), PRECISION LIGHTING & TRANSFORMER INC (E503246) Model PLTSP3F21X with 3000-5000K color temperature and opal diffuser, LEDs manufactured by Bridgelux, Inc, model 2835.	16.4 ft 5 m

Installation Instructions

Installing the Emergency Driver

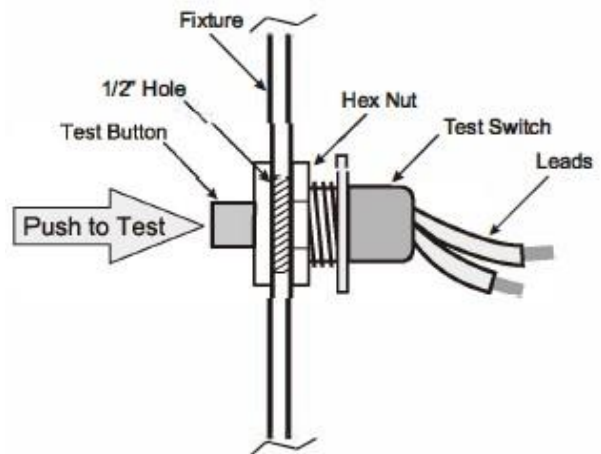


Installing the Test Switch

Refer to the illustrations above and install the test switch through the driver channel cover of a troffer or through the side of a strip fixture.

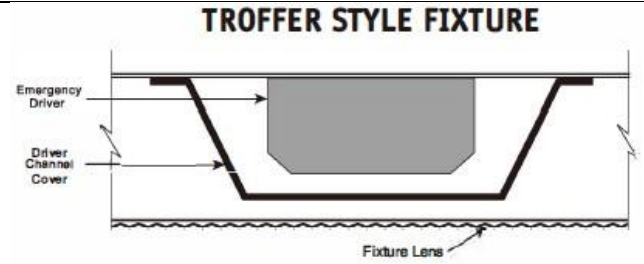
Drill a 1/2" hole and install the switch as shown.

Wire the test switch so that it removed AC power from the unswitched hot line to the emergency driver.

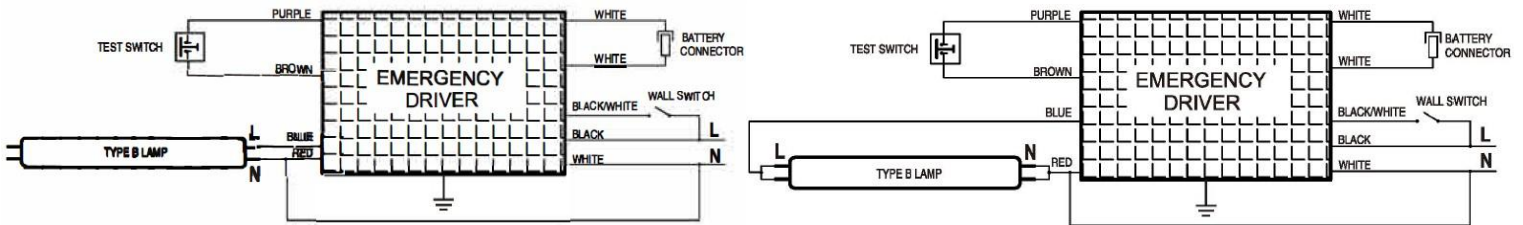


Installing the Charging Indicator Light

Install the charging indicator lights as show in the illustration so that it will be visible after the fixture is installed.



Wiring Diagrams



Operation

- Normal Mode:
 - AC power is present. The AC driver operates the LED load as designed. The emergency pack is charging in a standby mode. The test button will be lit, showing that the battery is charging.
- Emergency Mode:
 - When the AC power goes out, the emergency pack detects the power outage and automatically switches to the emergency mode. The LED load is illuminated, for a minimum of 90 minutes. When AC power is restored, the emergency pack switches back to Normal Mode and starts re-charging.

Maintenance

Although no routine maintenance is required to keep the emergency driver functional, it should be checked periodically to ensure that it is working. The following schedule is recommended:

1. Visually inspect the charging indicator light monthly. It should be illuminated.
2. Test the emergency operation of the fixture at 30-day intervals for a minimum of 30 seconds. One lamp should operate at reduced illumination.
3. Conduct a 90-minute discharge test once a year. One lamp should operate at reduced illumination for at least 90 minutes.

FCC Warning

- This device complies with Part 15 of the FCC Rules. Operation is subject to the following two conditions: (1) this device may not cause harmful interference, and (2) this device must accept any interference received, including interference that may cause undesired operation.



⚠ WARNING

- Before installing, servicing, or performing routine maintenance upon this equipment, follow these general precautions.
- To reduce the risk of death, personal injury, or property damage from fire, electric shock, falling parts, cuts/abrasions, and other hazards, read all warnings and instructions included with and on the fixture box and all fixture labels.
- Proper grounding is required to ensure safety.
- Power must be turned off at the breaker before installation or maintenance.
- This product must be installed in accordance with the applicable installation code by a person familiar with the construction and operation of the product and the hazards involved.
- Wear gloves and eye protection at all times while installing, servicing, or performing maintenance on the luminaire, and avoid direct eye exposure to the light source while it is on.
- To prevent wiring damage or abrasion, do not expose wiring to edges of sheet metal or other sharp objects.
- Do not install damaged product. Inspect luminaire for damage that may have occurred during transit. If damaged, contact the manufacturer immediately.
- These instructions do not purport to cover all details or variations in equipment nor to provide every possible contingency to meet in connection with installation, operation, or maintenance. Should further information be desired or should particular problems arise which are not covered sufficiently for the purchaser's or owner's purposes, contact the manufacturer.

⚠ ADVERTENCIA

- Antes de instalar, reparar o realizar el mantenimiento de rutina de este equipo, siga estas precauciones generales.
- Para reducir el riesgo de muerte, lesiones personales o daños a la propiedad por fuego, descarga eléctrica, caída de piezas, cortes / abrasiones y otros peligros, lea todas las advertencias y instrucciones incluidas con y en la caja del dispositivo y todas las etiquetas del dispositivo.
- Se requiere una conexión a tierra adecuada para garantizar la seguridad.
- Se debe apagar la energía en el disyuntor antes de la instalación o el mantenimiento.
- Este producto debe ser instalado de acuerdo con el código de instalación aplicable por una persona familiarizada con la construcción y operación del producto y los peligros involucrados.
- Utilice guantes y protección para los ojos en todo momento durante la instalación, el servicio o el mantenimiento de la luminaria, y evite la exposición directa de los ojos a la fuente de luz mientras está encendida.
- Para evitar daños o abrasiones en el cableado, no exponga el cableado a bordes de láminas de metal u otros objetos afilados.
- No instale un producto dañado. Inspeccione la luminaria en busca de daños que puedan haber ocurrido durante el tránsito. Si está dañado, comuníquese con el fabricante de inmediato.
- Estas instrucciones no pretenden cubrir todos los detalles o variaciones en el equipo ni proporcionar todas las posibles contingencias a cumplir en relación con la instalación, operación o mantenimiento. Si desea obtener más información o si surgen problemas particulares que no están suficientemente cubiertos para los propósitos del comprador o propietario, comuníquese con el fabricante.