

PROJECT NAME: _____ CAT. #: _____
 NOTES: _____ FIXTURE SCHEDULE: _____

Round Control Node



CN-RDMSB



CN-RDMSW



CNA-RDMSW

Features

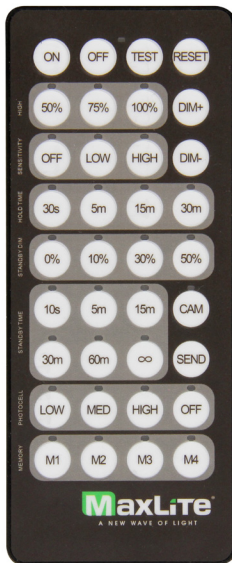
- Simple “Plug-and-Play” Connection - Easy to install in the field with pre-installed USB-C receptacle in controls ready fixtures
- Control Technology: PIR for motion sensing + Photocell
- Includes locking screw to resist vandalism and withstand vibration (Requires M1.5 Allen wrench)
- Easy Programming with IR Remote (CN-REMOTE sold separately) - Save and store settings to minimize commissioning time
- 0-10V Dimming Method with dim-to-off capability
- Bi-Level Dimming
- Ability to Set High Trim
- Daylight Harvesting via Continuous Adjustment Mode for Indoor applications
- Photocontrol via on/off mode for Outdoor applications
- Check <https://www.maxlite.com/cmax/> for c-Max fixture compatibility
- 5 Year Warranty

Ordering Information

MODEL NUMBER	ORDER CODE	FINISH
CN-RDMSW	105565	WHITE
CN-RDMSB	105566	BRONZE
CNA-RDMSW	108689	WHITE
CN-REMOTE	105567	BLACK

Specifications

	CN-RDMSW	CN-RDMSB	CNA-RDMSW
OPERATING VOLTAGE	12-20VDC		
OPERATING CURRENT	max 12mA		
SINKING CURRENT	max 25mA		
SENSOR TECHNOLOGY	Passive Infrared, Photoelectric		
CONTROL OUTPUT	0-10V		
MAXIMUM MOUNTING HEIGHT	40ft / 12m		
DETECTION ANGLE	120°		
CONNECTOR INTERFACE	USB-C		Audio Jack 3.5mm
COMMISSIONING PROTOCOL	IR		
IP RATING	IP66		
CERTIFICATIONS/STANDARD	cULus Listed E511069, California Title 20 Compliant, FCC Part 15 Subpart B Class A		
OPERATING TEMPERATURE	-40°F to 130°F / -40°C to 55°C		
PHOTOCELL	LOW(1FC) / MEDIUM(20FC) / HIGH(50FC) (PC OFF)		
HIGH TRIM	50%, 75%, 100%		
OVERALL DIMENSIONS	2.48" x 1.42" / 63mm x 36mm		
COLOR	White, Bronze		
WEIGHT	1.44oz/41g		



Requires at least one CN-REMOTE per project for commissioning
(remote control sold separately)



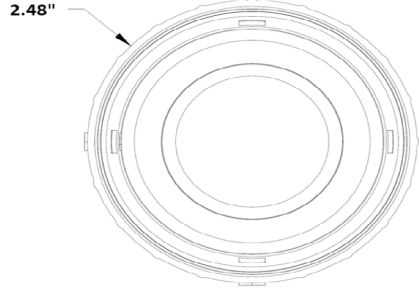
5-year standard warranty (further details available at www.maxlite.com/warranties) Product may be eligible for a warranty extension to 10 years, for an additional fee. Contact MaxLite for details.

Round Control Node

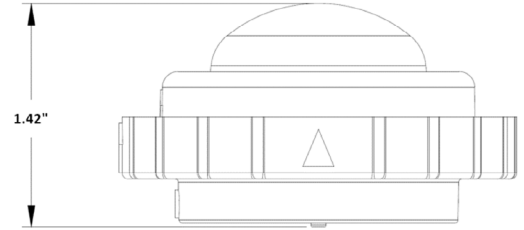
Product Dimensions

*Requires M1.5 Allen wrench

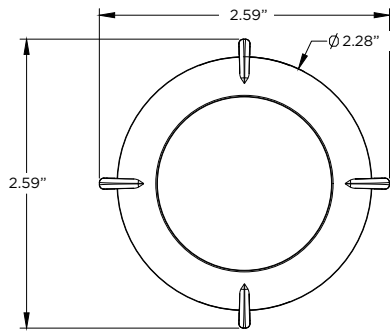
CN-RDMSx TOP



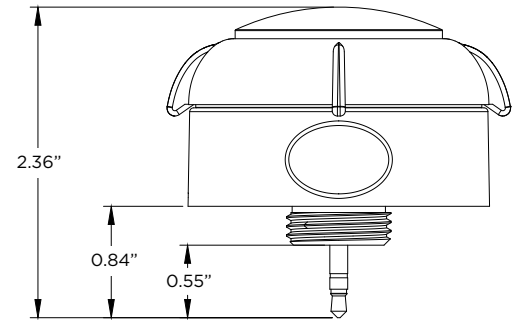
CN-RDMSx SIDE



CNA-RDMSW TOP



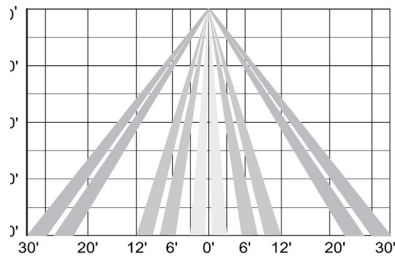
CNA-RDMSW SIDE



Sensor Detection Coverage for CN-RD/ CNA-RDMSW Models

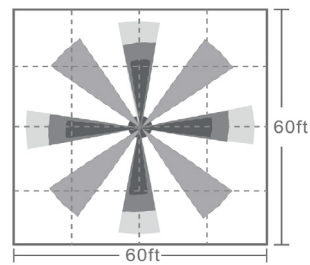
SIDE VIEW

HIGH BAY SIDE VIEW



TOP VIEW

HIGH BAY TOP VIEW



MOUNTING HEIGHT	ft (m)	10' (3)	20' (6)	30' (9.1)	40' (12.2)
MAX COVERAGE DIAMETER	ft (m)	20' (6)	40' (12.2)	60' (18.3)	80' (24.4)

Click on www.maxlite.com/cmaj for c-Max fixture compatibility and installation video.



Basic Control Remote - Quick Guide



Check out the remote commissioning video here.



Remote Settings

FEATURE	DEFINITION	SETTINGS
HIGH MODE	Set High Trim or Maximum light output setting	SET MAXIMUM THRESHOLD VALUE 50/75/100%. (SENSOR DEFAULT = 100%)
SENSITIVITY	Set motion detection sensitivity	OFF (NO OCCUPANCY) / LOW (50%) / HIGH (100%) (SENSOR DEFAULT=HIGH)
HOLD TIME	Time luminaire stays at the High Trim threshold when no motion detected before going into Standby Dim level.	30S/5M/15M/30M (SENSOR DEFAULT=5MIN)
STANDBY DIM	With no motion detected and hold time elapsed, light output is reduced to this level	0/10/30/50% (SENSOR DEFAULT=50%)
STANDBY TIME	With no motion detected, length of time luminaire stays at the Standby Dim level before turning OFF.	10S / 5MIN / 15MIN / 30MIN / 60MIN / ∞ (SENSOR DEFAULT=30MIN)
PHOTOCELL	Turns luminaire ON/OFF based on photosensor settings. (Outdoor application)	LOW(1FC) / MEDIUM(20FC) / HIGH(50FC) (SENSOR DEFAULT = PC OFF)

Default settings can be changed during commissioning
 For Standby Dim, "0%" means on/off control. There is no standby dimming level.
 For Standby time "∞" means bi-level dimming control. Luminaire will never turn off.

Memory Mode (Commissioning)

To begin commissioning, follow the steps below:

1. Select either M1, M2, M3, or M4.
2. Indicator lights on the remote will illuminate to indicate the current saved settings.
3. Settings can be changed by pressing appropriate buttons in the highlighted gray area of the remote. (HIGH, SENSITIVITY, HOLD TIME, STANDBY DIM, STANDBY TIME, and PHOTOCCELL). Review selected settings and make changes as necessary.
4. Point remote to desired luminaire to commission and press "SEND".
5. If configuration is successful, luminaire will flash suggesting settings are saved.

Note that any changes made to the sensor settings are automatically saved to the memory banks M1, M2, M3 or M4 and will override previous settings.

If commissioning multiple luminaires, select the configured memory mode M1/M2/M3/M4 then follow steps 4 and 5.

Test Mode

Press "TEST" to enter test mode. Luminaire will flash two times. Test mode will last five (5) minutes then return to previous setting.

HOLD TIME	2 Seconds
STANDBY DIM	50%
STANDBY TIME	2 Seconds

To Turn Lights ON

Press "ON" to turn luminaire on.

To Turn Lights OFF

Press "OFF" to turn luminaire off.

Manual Dimming Mode

Press "ON", luminaire will blink, then press DIM+ or DIM- to adjust dimming level.

Continuous Adjustment Mode or CAM (Daylight Harvesting for Indoor Applications)

Continuously adjusts dim levels in response to changes in ambient light.

1. Point IR remote to desired luminaire
2. Enter Manual Dimming Mode - Press "ON", luminaire will blink, then press DIM+ or DIM- to adjust the desired light level.
3. Press "CAM", indicator lights on the remote will indicate current saved settings. Note: only HIGH, SENSITIVITY, and HOLD TIME can be selected for CAM settings. (Sensitivity should be set to either LOW or HIGH)
4. Review selected settings and make changes as necessary. Press "SEND".
5. If configuration is successful, luminaire will blink to confirm setting saved.

If configuring multiple luminaires, repeat steps 1-5 above to configure CAM settings. Light levels has to be configured for each luminaire individually

Reset Mode

Press "RESET" to enter reset mode. Luminaire will blink to indicate reset is complete. Sensor will default to original settings shown in the above table.

