

DESCRIPTION

Create a modern look in your space by installing these Spec Grade LED troffers with an innovative floating curved design. Engineered with a flat transparent LED engine centered under a rounded reflector, this volumetric light distributes both direct and indirect lighting.

FEATURES

- Innovative floating curved design delivers superior light uniformity
- Efficiently replaces up to a 3 lamp fluorescent fixture
- Dimmable with 1-10V dimmers; see Compatible Dimmers section for full list of compatible dimmers
- Light output varies depending on wattage and color temperature selected; see Selectable Table for full breakdown
- Wattage and color temperature is selectable via switches on the back of the fixture; see installation instruction for more information

LISTINGS

- UL rated for damp locations
- IC Rated
- IP20

PERFORMANCE

- CRI: 80
- CCT: 3000K, 3500K, and 4000K
- LED L70 Life Hours @ 25°C: >54,000 hours

THERMAL

- -4°F to 104°F (-20°C to 40°C) operating temperature

ELECTRICAL

- THD: <20%
- Power Factor: >0.9
- Input Voltage: 120-277V
- Dimmable power supply (0-10V)
- Surge Protection: 1kV

INSTALLATION

- Designed for recessed installation to a T-grid ceiling; see installation instructions for more information

CONSTRUCTION

- Extruded aluminum housing with white powder coat finish
- Translucent PMMA lens protects embedded and recessed LEDs while evenly distributing light

WARRANTY

- 5 year limited warranty; see pltsolutions.com for warranty details

| | |
|----------------|---------|
| project name | type |
| catalog number | |
| comments | voltage |
| approved by | date |



APPLICATIONS

- Conference Rooms
- Retail
- Offices
- Hospitality
- Healthcare
- Schools
- Reception Areas
- Corridors
- Foyer

PERFORMANCE SUMMARY

| Item # | Size | Watts* | CCT* | CRI | Dimming | Voltage | Replaces | Default Setting |
|-----------|------|------------------|---------------------------|-----|---------|----------|-------------------------|-----------------|
| PLT-90339 | 2x2 | 20/ 30/ 40 | 3000K/ 3500K/ 4000K | 80 | 1-10V | 120-277V | 1-2 Lamp Fluorescent | 40W, 3500K |
| PLT-90340 | 2x4 | 30/ 40/ 50 | 3000K/ 3500K/ 4000K | 80 | 1-10V | 120-277V | 3 Lamp Fluorescent | 50W, 3500K |

* See Selectable Table for full breakdown

SELECTABLE TABLE

| Item # | Wattage | CCT | Lumens | Efficacy |
|-----------|---------|-------|--------|----------|
| PLT-90339 | 20 | 3000K | 2495 | 116 |
| | | 3500K | 2724 | 132 |
| | | 4000K | 2740 | 130 |
| | 30 | 3000K | 3367 | 109 |
| | | 3500K | 3761 | 128 |
| | | 4000K | 3741 | 123 |
| | 40 | 3000K | 4314 | 101 |
| | | 3500K | 4938 | 123 |
| | | 4000K | 4843 | 116 |
| PLT-90340 | 30 | 3000K | 3468 | 116 |
| | | 3500K | 3667 | 126 |
| | | 4000K | 3643 | 122 |
| | 40 | 3000K | 4371 | 111 |
| | | 3500K | 4662 | 124 |
| | | 4000K | 4588 | 117 |
| | 50 | 3000K | 5451 | 107 |
| | | 3500K | 5756 | 118 |
| | | 4000K | 5700 | 112 |

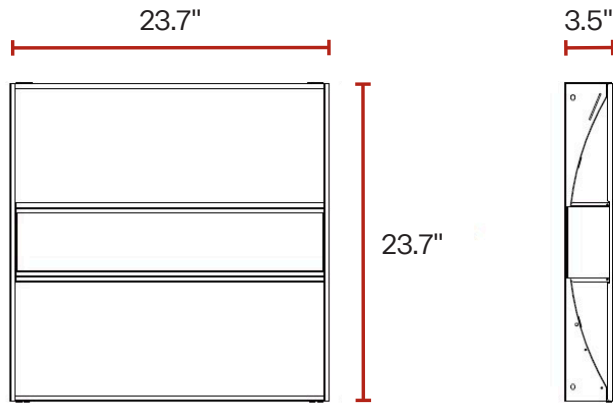
COMPATIBLE DIMMERS

| Brand | Model # |
|---------|-----------|
| Lutron | DTV |
| Leviton | IP-710-DL |

FIXTURE DIMENSIONS

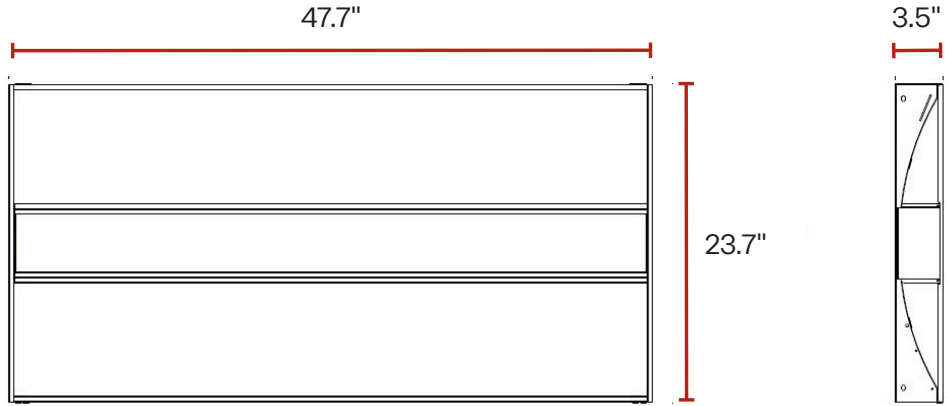
2X2 DIMENSIONS

Length: 23.7"
Height: 3.5"
Width: 23.7"
Weight: 4.17 lbs



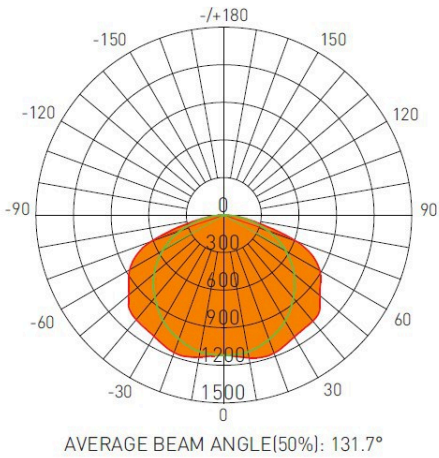
2X4 DIMENSIONS

Length: 47.7"
Height: 3.5"
Width: 23.7"
Weight: 8.47 lbs



PHOTOMETRICS

2X2 @ 3500K



2X4 @ 3500K

