

DESCRIPTION

Customize the brightness and color of lighting in your space by installing these wattage and color selectable Spec Grade architectural LED downlight fixtures with their compatible trims. Each engine's integrated junction box with isolated driver and flexible conduit whips eliminate the need for traditional housing, making it an ideal choice for hardwired lighting in new constructions and remodels.

FEATURES

- Energy efficient replacement for 250W incandescents
- Light output will vary depending on the wattage selected, see Selectable Table for more information
- Can be paired with 6, 8, or 10-inch aperture regressed round aluminum trims (sold separately); see Compatible Trims section for list of compatible trims
- Does not require a recessed housing
- Requires mounting plate; see Mounting Accessories section for list of compatible mounting plates
- Dimmable with 0-10V dimmers; see Compatible Dimmers section for full list of compatible dimmers
- Wattage and color temperature can be adjusted via switches on the external driver of the fixture; see installation instructions for more information

LISTINGS

- UL Listed for damp locations
- IC Rated
- IP20

PERFORMANCE

- CRI: >80
- CCT: 3000K, 3500K, and 4000K
- Rated Lifetime L70 @ 25°C: >60,000 hours

ELECTRICAL

- THD: <20%
- Power Factor: >0.9
- Input Voltage: 120-277V
- Output Voltage: 30~42V
- Surge protection: 1kV

THERMAL

- -4°F to 104°F (-20°C to 40°C) operating temperature

project name	type
catalog number	
comments	voltage
approved by	date



CONSTRUCTION

- Aluminum body
- Frosted PMMA lens

WARRANTY

- 5 year limited warranty; see pltsolutions.com for warranty details

APPLICATIONS

- Offices
- Lobbies
- Conference Rooms
- Living Rooms
- Hallways
- Bathrooms
- Laundry Rooms

PERFORMANCE	Power Consumption*	40 Watt
	CRI	>80
	CCT*	3000K, 3500K, 4000K
	LED L70 Life Hours	>60,000
ELECTRICAL	Power Factor	>0.9
	THD	<20%
	Input Voltage	120-277V
CONSTRUCTION	Housing	Aluminum
	Lens	Frosted
LISTINGS	Certifications	UL Listed, IC Rated; IP20
	Environment	Damp Location Rated

* See Selectable Table for full breakdown

PERFORMANCE SUMMARY

Item #	Height	Wattage*	CCT*	Voltage	Replaces	CRI	LED L70 Life Hours	Dimmable	IC Rated	Default Setting
PLT-90326	4"	18/ 27/ 40	3000K/ 3500K/ 4000K	120-277V	250W	>80	>60,000	Yes	Yes	40W, 3500K

* See Selectable Table for full breakdown

SELECTABLE TABLE

Wattage	CCT	Lumens	Efficacy
18W	3000K	1847	106
	3500K	1944	115
	4000K	1913	109
27W	3000K	2656	100
	3500K	2839	111
	4000K	2746	103
40W	3000K	3964	91
	3500K	4266	105
	4000K	4008	93

COMPATIBLE TRIMS

Item #	Description
PLT-90328	6" Aperture Regressed Round Trim - White finish with Matte Silver Reflector
PLT-90329	8" Aperture Regressed Round Trim - White finish with Matte Silver Reflector
PLT-90330	10" Aperture Regressed Round Trim - White finish with Matte Silver Reflector

COMPATIBLE DIMMERS

Brand	Model #
Lutron	DVTV
Leviton	IP-710-DL

MOUNTING ACCESSORIES

Item #	Description
PLT-90384	6" Mounting Plate
PLT-90385	8" Mounting Plate
PLT-90386	10" Mounting Plate

DOWNLIGHT ENGINE DIMENSIONS



DIMENSIONS:

Height (black portion only) – 2.36"

Diameter (black portion only including side mount fitting) – 4.3"

Weight – 2.38 lbs

Driver Length – 7.56"

Driver Width – 3.31"

Driver Height – 1.31"

(2) Conduit Length – 13.44"

ROUND TRIM DIMENSIONS

6" DIMENSIONS:

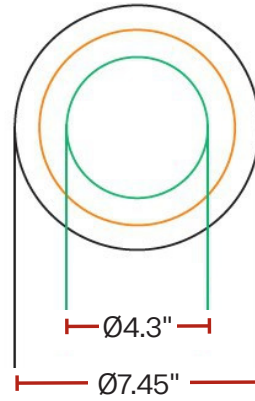
Top Inside Diameter – 4.30"

Bottom Inside Diameter – 5.94"

Bottom Outside Diameter – 7.45"

Ceiling Cutout Diameters – 6" to 6.7"

Reflector Height – 6.10"



8" DIMENSIONS:

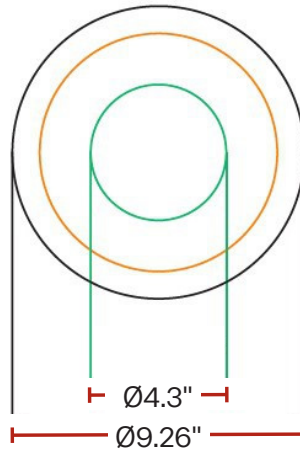
Top Inside Diameter – 4.30"

Bottom Inside Diameter – 7.52"

Bottom Outside Diameter – 9.26"

Ceiling Cutout Diameters – 7.7" to 8.4"

Reflector Height – 6.61"



10" DIMENSIONS:

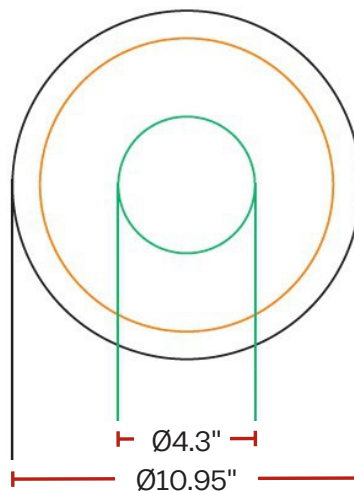
Top Inside Diameter – 4.30"

Bottom Inside Diameter – 9.21"

Bottom Outside Diameter – 10.95"

Ceiling Cutout Diameters – 10" to 10.78"

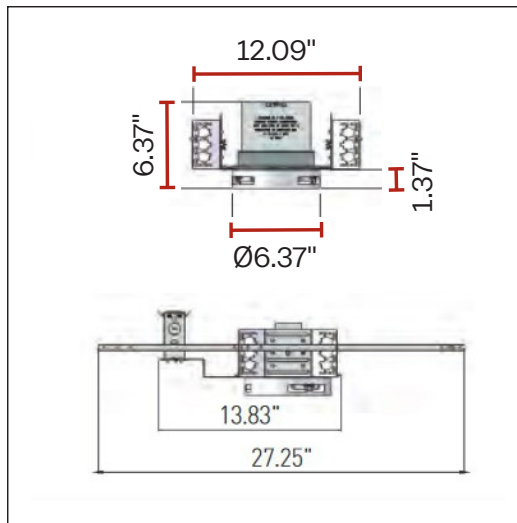
Reflector Height – 6.89"



MOUNTING PLATE DIMENSIONS

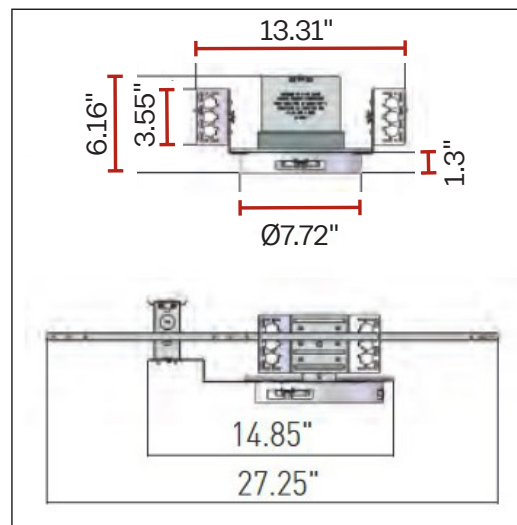
PLT-90384

Diameter – 6.37"
Ring Height – 1.37"
Total Width – 12.09"
Total Height – 6.37"



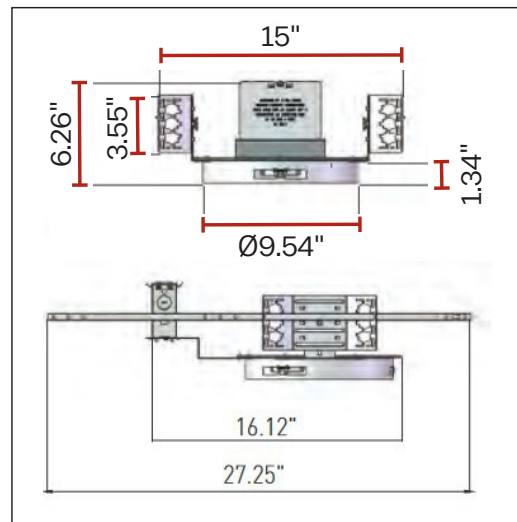
PLT-90385

Diameter – 7.72"
Ring Height – 1.3"
Total Width – 13.31"
Total Height – 6.16"
Bracket Height – 3.55"

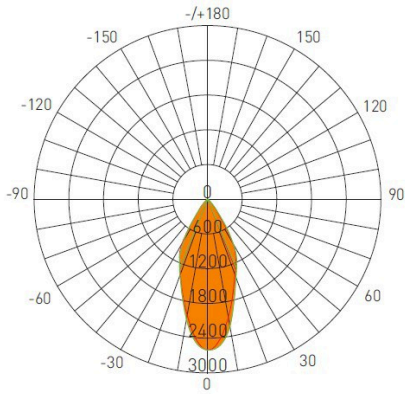


PLT-90386

Diameter – 9.54"
Ring Height – 1.34"
Total Width – 15"
Total Height – 6.26"
Bracket Height – 3.55"
Bar Length – 27.25"



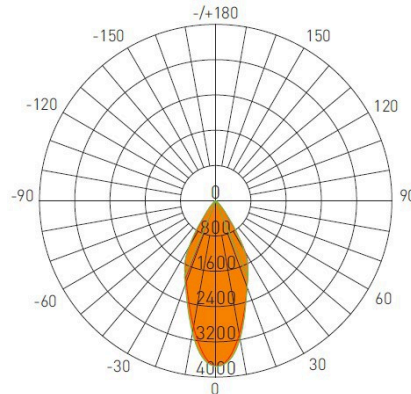
18W @ 3000K W/ 8" TRIM



AVERAGE BEAM ANGLE(50%): 44.1°

Test Number: CE8-18W-30E UNIT: cd
 Lumens: 1646.2 Lm — C0/180,21.7,21.9
 Watts: 18 W — C90/270,21.9,22.7
 LPW: 91.46 Lm/W
 CCT: 3000K

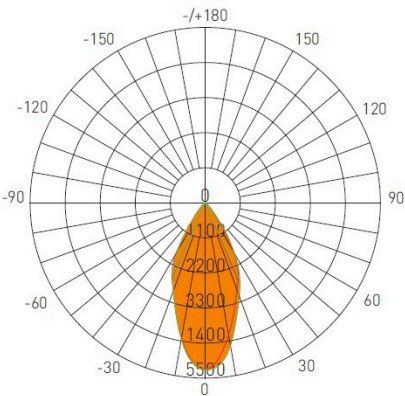
27W @ 3000K W/ 8" TRIM



AVERAGE BEAM ANGLE(50%): 44.6°

Test Number: CE8-27W-30E UNIT: cd
 Lumens: 2390.2 Lm — C0/180,21.3,22.9
 Watts: 27 W — C90/270,22.3,22.8
 LPW: 88.53 Lm/W
 CCT: 3000K

40W @ 3000K W/ 8" TRIM



AVERAGE BEAM ANGLE(50%): 46.9°

Test Number: CE8-40W-30E UNIT: cd
 Lumens: 3454.8 Lm — C0/180,23.6,23.1
 Watts: 40 W — C90/270,23.2,24.0
 LPW: 86.37 Lm/W
 CCT: 3000K

WARNINGS

- Only use this LED light engine with the dimmers listed in the compatibility list. Using this downlight with incompatible dimmers may cause performance issues including humming, buzzing, flickering, and poor dimming performance.