

WARNING

- Installation, service, and maintenance of luminaries should be performed by a qualified licensed electrician.

CAUTION

- To reduce risk of fire and overheating, make sure all connections are tight.
- Do not cover the light fixture with a heat insulation gasket or similar materials.

NOTICE

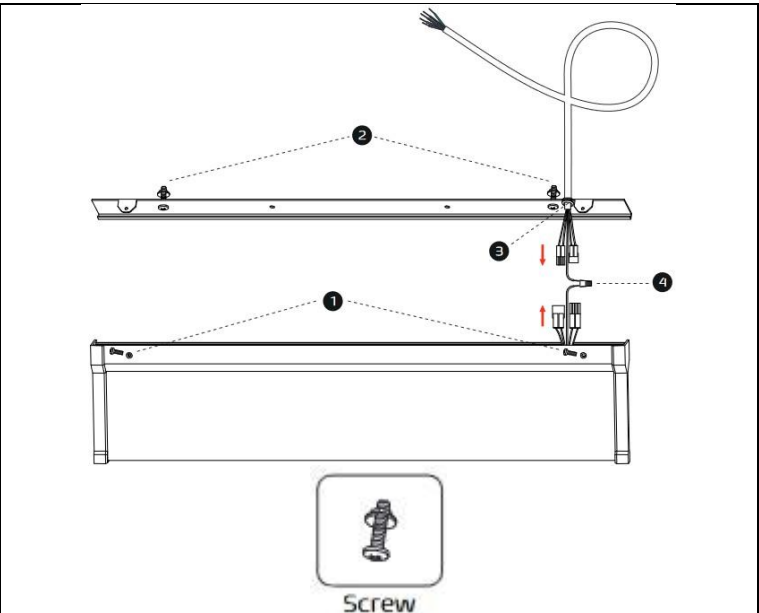
- Dry and damp location use only.

Installation Instructions

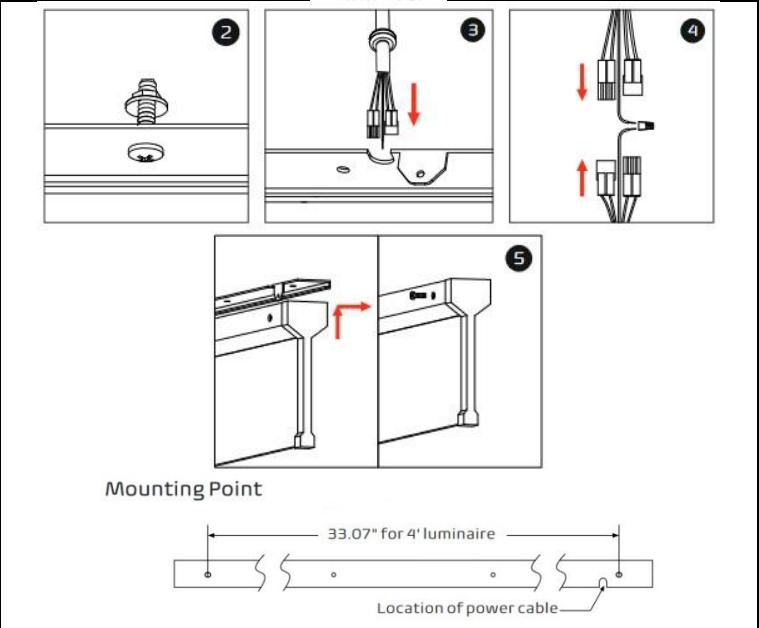
Pendant Mount Instructions

<p>Power Feed</p>	<p>Non-Power Suspension</p>
<p>Parts List</p> <ol style="list-style-type: none"> 1. 4" Octagon Junction Box (by others) 2. Power Cord (by others) 3. Wire Nut 4. Junction Box Crossbar 5. Screw PM4*22 6. Power Cord 7. 4" Power Canopy Kit 8. Cable Holder 9. Strain Relief Thread Nut 10. Aircraft cable 11. Drywall Ceiling (by others) 12. Butterfly Drywall Anchor 13. Crimp Stud 14. 2" Canopy 15. Solid Ceiling (by others) 16. Anchor 17. Screw PA4*30 	

1. Use a Philips head screwdriver to remove the cover (please note there are screws and washers inside the luminaire).
2. Attach the screws (which will later accept the mounting cables) with the threads pointing out.
3. Insert the power cord into the opening of the cover as shown.



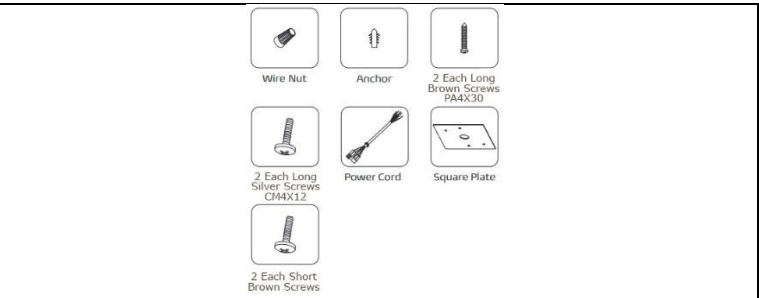
4. Connect both terminal blocks.
5. Screw the mounting cables onto the screws in the cover.
6. Reattach cover.
7. Suspend the LED luminaire from the ceiling.



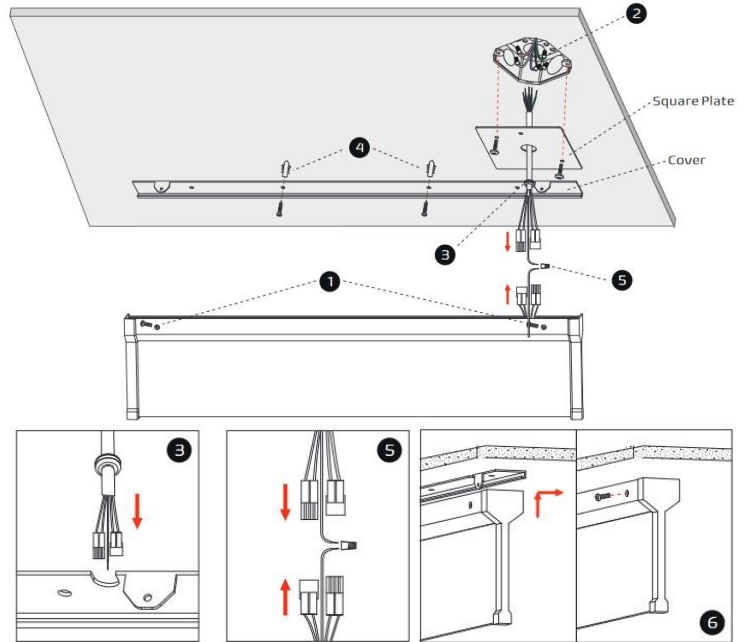
Ceiling Mount Instructions

Requires surface/wall mount accessory PLT-90331 (sold separately)

- Accessories



1. Use a Philips head screwdriver to remove the cover.
2. Connect the wires of the power cable (provided) with the junction box using the wire nuts. Using either the 2 each long silver screws (CM4X12) or the 2 each short brown screws, screw the square cover plate onto the junction box, then plaster.
3. Thread the power cord into the opening cover as shown.
4. Attach to the ceiling.



5. Connect the wires using the quick connectors and wire nuts, then push all wires into the fixture.
6. Screw the LED fixture to the ceiling.

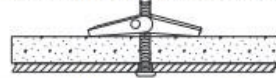
Ceiling Type

Solid Ceiling (By Others)



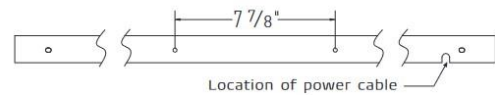
Hole Diameter: 0.20"

Drywall Ceiling (By Others)



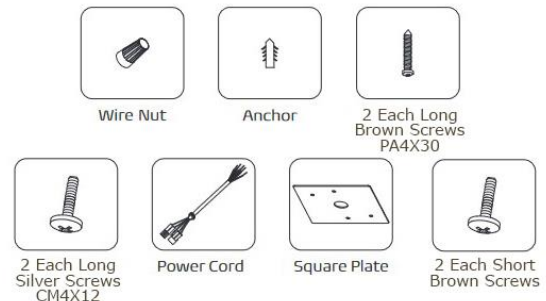
Hole Diameter: 0.47"

Mounting Point

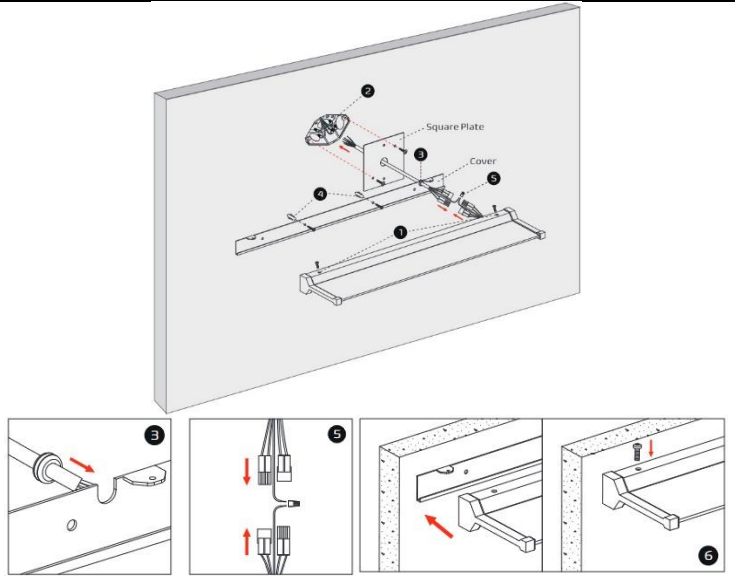


Wall Mount Instructions

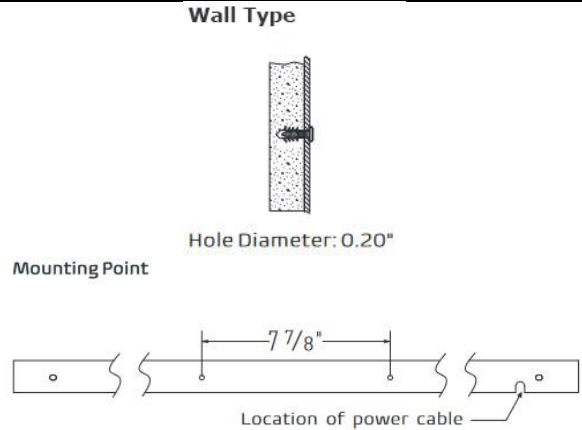
Accessories



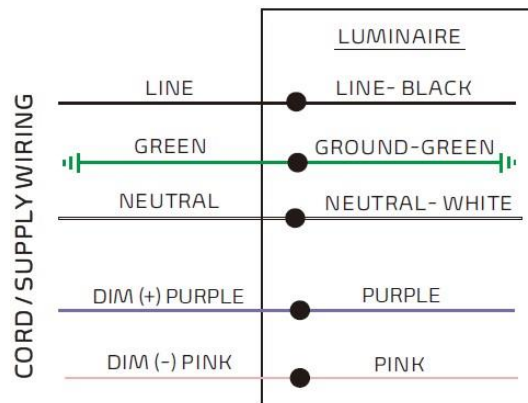
1. Use a Philips head screwdriver to remove the cover.
2. Connect the wires of the power cable (provided) with the junction box using the wire nuts. Using either the 2 each long silver screws (CM4X12) or the 2 each short brown screws, screw the square cover plate onto the junction box, then plaster.
3. Thread the power cord into the opening of the cover as shown.
4. Attach the cover to the wall.



5. Connect the wires using the quick connectors and wire nuts, then push all wires into the fixture.
6. Screw the LED fixture to the wall.



Wiring Diagram



- Isolate the two dimming wires by the P2 terminal if not dimming; MUST connect wire with the corresponding colors as shown.

Wattage & CCT Adjustable

Length	High	Medium	Low
4'	5000 lumens	3810 lumens	2600 lumens

⚠ WARNING

- Before installing, servicing, or performing routine maintenance upon this equipment, follow these general precautions.
- To reduce the risk of death, personal injury, or property damage from fire, electric shock, falling parts, cuts/abrasions, and other hazards, read all warnings and instructions included with and on the fixture box and all fixture labels.
- Proper grounding is required to ensure safety.
- Power must be turned off at the breaker before installation or maintenance.
- This product must be installed in accordance with the applicable installation code by a person familiar with the construction and operation of the product and the hazards involved.
- Wear gloves and eye protection at all times while installing, servicing, or performing maintenance on the luminaire, and avoid direct eye exposure to the light source while it is on.
- To prevent wiring damage or abrasion, do not expose wiring to edges of sheet metal or other sharp objects.
- Do not install damaged product. Inspect luminaire for damage that may have occurred during transit. If damaged, contact the manufacturer immediately.
- These instructions do not purport to cover all details or variations in equipment nor to provide every possible contingency to meet in connection with installation, operation, or maintenance. Should further information be desired or should particular problems arise which are not covered sufficiently for the purchaser's or owner's purposes, contact the manufacturer.

⚠ ADVERTENCIA

- Antes de instalar, reparar o realizar el mantenimiento de rutina de este equipo, siga estas precauciones generales.
- Para reducir el riesgo de muerte, lesiones personales o daños a la propiedad por fuego, descarga eléctrica, caída de piezas, cortes / abrasiones y otros peligros, lea todas las advertencias y instrucciones incluidas con y en la caja del dispositivo y todas las etiquetas del dispositivo.
- Se requiere una conexión a tierra adecuada para garantizar la seguridad.
- Se debe apagar la energía en el disyuntor antes de la instalación o el mantenimiento.
- Este producto debe ser instalado de acuerdo con el código de instalación aplicable por una persona familiarizada con la construcción y operación del producto y los peligros involucrados.
- Utilice guantes y protección para los ojos en todo momento durante la instalación, el servicio o el mantenimiento de la luminaria, y evite la exposición directa de los ojos a la fuente de luz mientras está encendida.
- Para evitar daños o abrasiones en el cableado, no exponga el cableado a bordes de láminas de metal u otros objetos afilados.
- No instale un producto dañado. Inspeccione la luminaria en busca de daños que puedan haber ocurrido durante el tránsito. Si está dañado, comuníquese con el fabricante de inmediato.

- Estas instrucciones no pretenden cubrir todos los detalles o variaciones en el equipo ni proporcionar todas las posibles contingencias a cumplir en relación con la instalación, operación o mantenimiento. Si desea obtener más información o si surgen problemas particulares que no están suficientemente cubiertos para los propósitos del comprador o propietario, comuníquese con el fabricante.