

## Classic, Seamless Control



### Applications

IllumaTech Preset Slide Controls are designed for both single pole or 3-way applications. They feature a smooth, captured slide bar for fine adjustment of lighting levels and an easy to use push button that provides preset ON/OFF switching. Color change kits simplify inventory by diminishing the need for stocking separate devices in every color.

The IllumaTech Rotary Fan Speed Control combines the ease of a traditional rotary knob with the contemporary look of Decora® for quiet control of ceiling fans.

### Features and Benefits

- Provides single pole or 3-way lighting control when used with a 3-way switch
- Comes packaged in White with Ivory and Light Almond color faceplates. Additional color change faceplates available
- LED locator light illuminates when load is off (select models)
- Appearance complements interiors and is compatible with other Decora devices
- Compatible with Decora Plus™ screwless and Decora standard designer wallplates
- Built-in radio/TV interference filter
- Fit easily into a standard wallbox and are suitable for multi-gang installations



## Specifications At-A-Glance

	IPL06	IPI10	IPM06	IPM10	IPE04	IPX06-1	IPX06-7	IPX10	IPX12	IP710	IPF01	IPF05	RTF01
<b>Voltage, Frequency</b>													
120VAC-60Hz	Yes	Yes	Yes	Yes	Yes	Yes	-	Yes	-	Yes	Yes	Yes	Yes
277VAC-60Hz	-	-	-	-	-	-	Yes	-	Yes	Yes	-	-	-
<b>Load Rating</b>													
Incandescent/ Halogen	600W	1000W	600W	1000W	400W	-	-	-	-	-	-	-	-
LED/CFL	150W	-	-	-	150W	-	-	-	-	10A	-	-	-
MLV	-	-	600VA	1000VA	-	-	-	-	-	-	-	-	-
ELV	-	-	-	-	400VA	-	-	-	-	-	-	-	-
Fluorescent	-	-	-	-	-	600VA	600VA	1000VA	1200VA	1200VA 1500VA	-	-	-
Motor	-	-	-	-	-	-	-	-	-	-	1.5A	5A	1.5A
<b>Mechanical</b>													
Neutral Required	No	No	No	No	Yes	No	No	No	No	No	No	No	No
Single Pole/ 3-Way	Yes	Yes	Yes	Yes	Yes	Yes	Yes	Yes	Yes	Yes	Yes	Yes	No
Locator Light	No	Yes	Yes	Yes	Yes	No	No	No	No	No*	Yes	Yes	No

\* Model available with locator light

## Maximum Load for Multi-Gang Applications

In multi-gang applications derating may be required in accordance with the following chart. Many controls have side sections and fin removal is required (consult instruction sheets for further details).

Cat. No.	Single	2-Gang	3-Gang or more
IPL06-10	150W LED/CFL 600W Incandescent	150W LED/CFL 500W Incandescent	150W LED/CFL 400W Incandescent
IPI10-1L	1000W	800W	700W
IPE04-1L	400VA ELV 150W LED/CFL 400W Incandescent	350VA ELV 150W LED/CFL 350W Incandescent	250VA ELV 150W LED/CFL 250W Incandescent
IPM06-1L	600VA MLV 600W Incandescent	500VA MLV 500W Incandescent	400VA MLV 400W Incandescent
IPM10-1L	1000VA MLV 1000W Incandescent	800VA MLV 800W Incandescent	700VA MLV 700W Incandescent
IP710-DL IP710-D0	10A LED (120/277VAC) 1200VA @ 120VAC 1500VA @ 277VAC	10A LED (120/277VAC) 1200VA @ 120VAC 1500VA @ 277VAC	10A LED (120/277VAC) 1200VA @ 120VAC 1500VA @ 277VAC
IPX06-10	600VA	500VA	400VA
IPX10-10	1000VA	800VA	700VA
IPX06-70	600VA	600VA	600VA
IPX12-70	1200VA	1200VA	1200VA
IPF01-1L	1.5A	1.5A	1.5A
IPF05-1L	5A	4.1A	3.3A
RTF01-10	1.5A	1.5A	1.5A

## Preset Slide Controls

- Fluid slide movement allows fine adjustment of light level with minimal effort
- Captive wraparound slide bar remains securely attached
- Easy to use push button switch with green LED locator light (select models)
- Push button switch acts as an air gap switch completely disconnecting power from unit for bulb changing
- Slide controls travel approximately 20mm
- Power failure recovery ensures retention of last setting before power interruption

## LED/CFL/Incandescent Dimmers

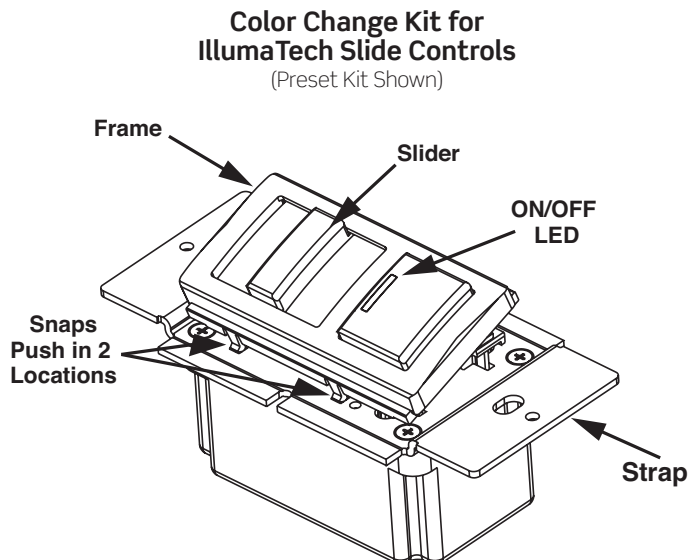
- IPL06 is designed for optimal control of dimmable LED and CFL lamps. Also compatible with incandescent and halogen
- IPE04 is also compatible with Electronic Low Voltage lamps
- Wider dimming range on LED and CFL lamps than conventional incandescent dimmers
- Optional programming feature allows users to modify the dimming range to optimize low light level performance when required
- IPL06 and IP710 can be used to comply with 2019 California Title 24, Part 6 Indoor Lighting Switching Devices and Controls

## 0-10V LED/Fluorescent Dimmers

- IP710 dimmers are designed specifically for use with LED fixtures using 0-10V power supplies and Mark 7<sup>®</sup> 0-10V fluorescent ballasts
- Dual voltage 120V/277V; 50 mAmps maximum sink current
- No power pack required for switching

## Fan Speed Controls

- Choose from slide or rotary models
- Quiet 1.5 Amp fan speed controls are ideal for bedrooms, libraries, study rooms and any area where ceiling fan noise could become distracting. Full range 5 Amp fan speed control also available



## Typical Specifications

- Operating 0°C – 55°C
- Non-operating 10°C – 85°C
- Relative humidity, non-condensing 20% to 90%

## Warranty Information

- Limited Five-Year Warranty

## Agency Standards and Compliance

- UL Listed (Dimmers: File #E-31373; Fan Speed Controls: File #E-123566)
- CSA and cCSAus Certified (File#LR-3413)
- NEMA SSL 7A Compliant (IPL06 and IP710 only)
- California Title 24 Compliant (IPL06 and IP710 only)

## Installation Considerations

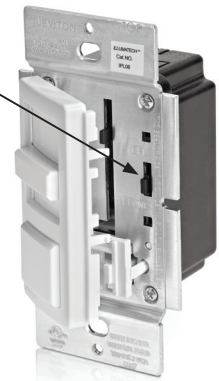
**Note:** Sharing a neutral wire may cause flickering. Connect all devices to the same phase or run a separate neutral to each phase. Consult Leviton Techline if problems persist.

Warning: When retrofitting Mark 10<sup>®</sup> Powerline dimming ballasts into fixtures that originally had Instant Start ballasts, the sockets **MUST** be replaced with Rapid Start sockets to allow proper dimmer operation and prevent property damage, injury or death. Refer to the instructions provided with the ballast and the Leviton dimmer.

**IPL06, IP710, IPE04:** LED and CFL lamps marked or rated as dimmable can be used with these dimmers. For a complete list of approved LED lamps visit [www.leviton.com/led](http://www.leviton.com/led)

Use Leviton Power Extenders to extend the load capacity of box mounted dimmers. Leviton Power Extenders are available for incandescent, magnetic low voltage, electronic low voltage, Mark 10<sup>®</sup> Powerline fluorescent dimming ballasts or equivalents and 0-10 VDC dimmable fluorescent ballasts such as Mark 7<sup>®</sup> 0-10V, OSRAM Sylvania Quicktronic<sup>®</sup> Helios<sup>™</sup> or equivalent ballasts.

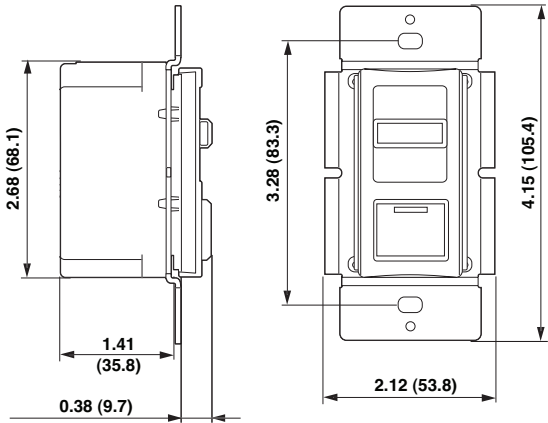
## Mode Selector Switch



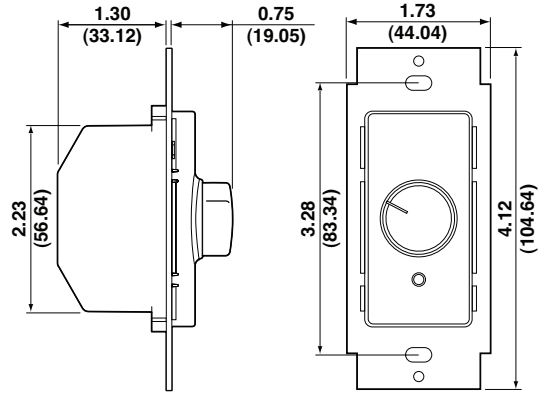
- Provides options to optimize performance for LED lamps to help ensure best performance for the load being controlled (factory preset to Mode A)
- Switch also enables the programming mode to adjust maximum and minimum light levels to match the full range of load and helps eliminate low end flicker for a smoother experience

## Dimensional Drawings

### IllumaTech Preset Slide Controls



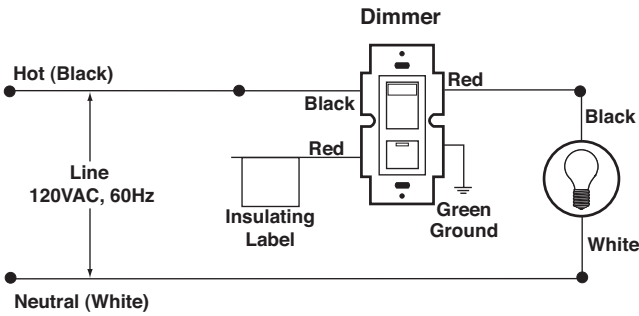
### IllumaTech Rotary Controls



## Wiring Diagrams

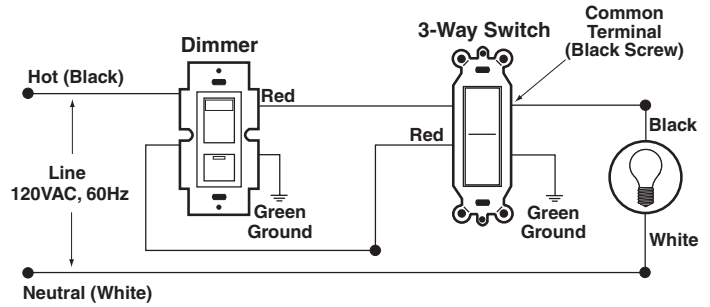
Cat. Nos. IPL06, IPI10, IPM06, IPM10, IPX06, IPX10, IPX12, IPF01, IPF05, RTF01

### Single Pole



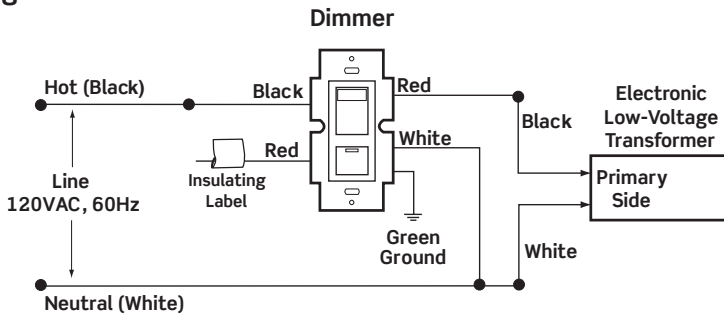
Note: RTF01 is single pole only

### 3-Way

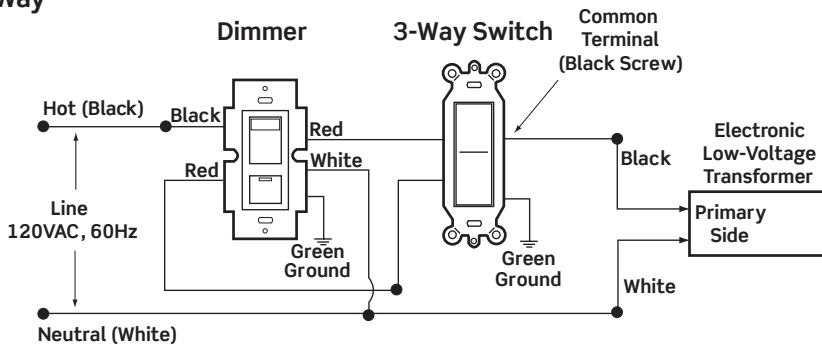


Cat. No. IPE04

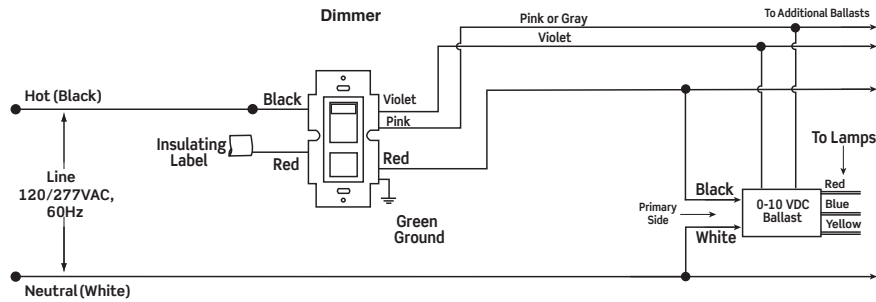
### Single Pole



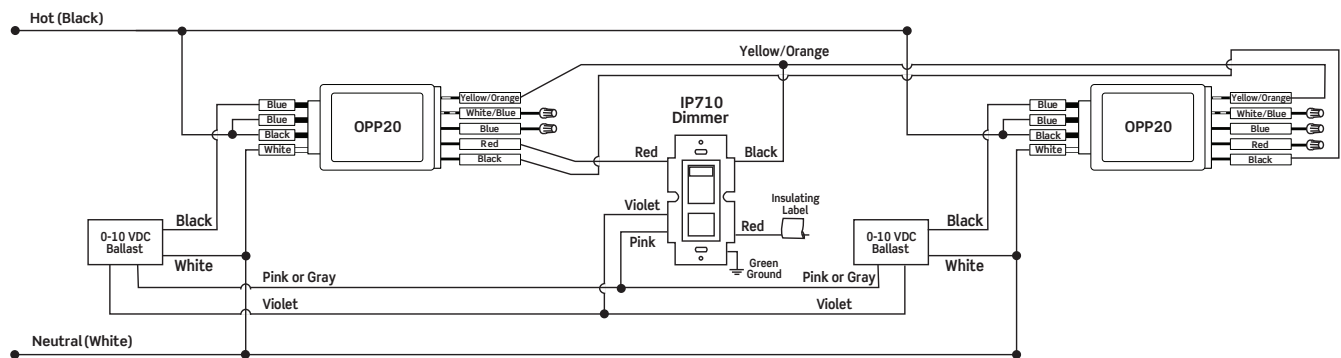
### 3-Way



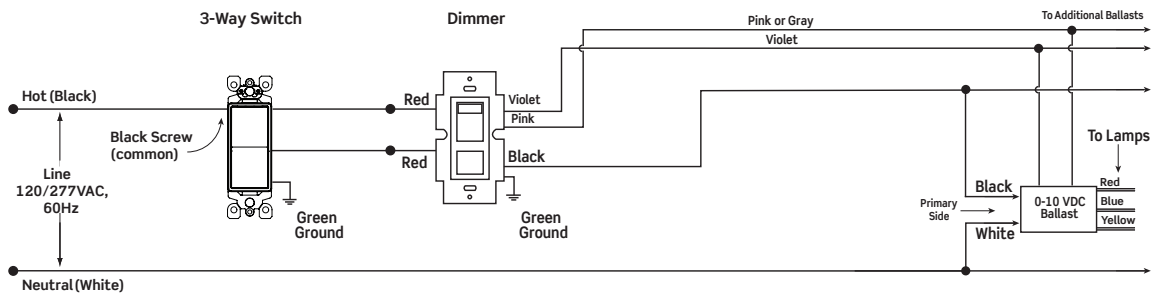
### Single Pole



### Single Pole with Power Pack



### 3-Way



## Ordering Information

All IllumaTech Preset Controls provide single pole or 3-way control when used with a 3-way switch. 120VAC unless otherwise specified in rating.

Description	Cat. No.	Rating	Color
LED/CFL/Incandescent Dimmer, no LED	IPL06-10	150W LED/CFL 600W Incandescent	Z
Incandescent Dimmer with LED locator	IPI10-1L	1000W Incandescent	Z
Magnetic Low Voltage Dimmer with LED locator	IPM06-1L	600VA MLV 600W Incandescent	Z
Magnetic Low Voltage Dimmer with LED locator	IPM10-1L	1000VA MLV 1000W Incandescent	Z
Electronic Low Voltage Dimmer with LED locator, neutral required	IPE04-1L	150W LED/CFL 400W Incandescent 400VA ELV	Z
Fluorescent Dimmer for Mark 10 <sup>®</sup> Powerline Ballast, no LED locator	IPX06-10	600VA Fluorescent	Z
Fluorescent Dimmer for Mark 10 <sup>®</sup> Powerline Ballast, no LED locator	IPX06-70	600VA Fluorescent @ 277VAC	Z
Fluorescent Dimmer for Mark 10 <sup>®</sup> Powerline Ballast, no LED locator	IPX10-10	1000VA Fluorescent	Z
Fluorescent Dimmer for Mark 10 <sup>®</sup> Powerline Ballast, no LED locator	IPX12-70	1200VA Fluorescent @ 277VAC	Z
0-10V LED/Mark 7 <sup>®</sup> Fluorescent Ballast Dimmer with LED locator	IP710-DL	10A LED (120/277VAC) 1200VA Fluorescent @ 120VAC 1500VA Fluorescent @ 277VAC 50mA Sinking Current	Z
0-10V LED/Mark 7 <sup>®</sup> Fluorescent Ballast Dimmer, no LED locator	IP710-D0	10A LED (120/277VAC) 1200VA Fluorescent @ 120VAC 1500VA Fluorescent @ 277VAC 50mA Sinking Current	Z
Quiet Fan Speed Control with LED locator	IPF01-1L	1.5A Motor	Z
Fully Variable Fan Speed Control with LED locator	IPF05-1L	5A Motor	Z
Quiet Fan Speed Control, single pole only, no LED locator	RTF01-10	1.5A Motor	Z

## Faceplate Color Change Kit

Description	Cat. No.	Color*
Color Change Kit with LED locator	IPKIT-00	W, I, T, G, E, R, B
Color Change Kit, no LED locator	IPKIT-LN	W, I, T, G, E, R, B
Color Change Kit for Fan Speed Control	IPQFK-00	W, I, T, G, E, B

IllumaTech controls come packaged with three colors. Products with suffix (-Z) include White, Ivory and Light Almond. Color Change Kits for IllumaTech Preset Slide Controls available in the following colors: White (-W), Ivory (-I), Light Almond (-T), Gray (-G), Black (-E), Red (-R) and Brown (-B).

Mark 10<sup>®</sup> Powerline and Mark 7<sup>®</sup> 0-10V are registered trademarks of Advance Transformer Co.  
Decora and IllumaTech are registered trademarks and Decora Plus is a trademark of Leviton Manufacturing Co., Inc.



**Leviton Manufacturing Co., Inc.**

Tech Line: 1-800-824-3005

Mon-Fri 8am-10pm EST, Saturday 9am-7pm EST, Sunday 9am-5pm EST

For 24/7 product support visit [www.leviton.com/support](http://www.leviton.com/support)

Visit our Website at: [www.leviton.com/dimmers](http://www.leviton.com/dimmers)

© 2022 Leviton Manufacturing Co., Inc. All rights reserved. All trademarks are the property of their respective owners.

