



# MaxLite® HL Linear High Bay Generation 3

## General Safety Information

- To reduce the risk of death, personal injury or property damage from fire, electric shock, falling parts, cuts/abrasions, and other hazards read all warnings and instructions included with and on the fixture box and all fixture labels.
- Before installing, servicing, or performing routine maintenance upon this equipment, follow these general precautions.
- Commercial installation, service and maintenance of luminaires should be performed by a qualified licensed electrician.
- DO NOT INSTALL DAMAGED PRODUCT!

**WARNING:**

**RISK OF ELECTRICALSHOCK**

- Turn off electrical power at fuse or circuit breaker box before wiring fixture to the power supply.
- Turn off the power when you perform any maintenance.
- Verify that supply voltage is correct by comparing it with the luminaire label information.
- Make all electrical and grounded connections in accordance with the National Electrical Code and any applicable local code requirements.
- All wiring connections should be capped with UL approved wire connectors.

**CAUTION:**

**RISK OF INJURY**

- Wear gloves and safety glasses at all times when removing luminaire from carton, installing, servicing or performing maintenance.
- Avoid direct eye exposure to the light source while it is on.
- Account for small parts and destroy packing material, as these may be hazardous to children.

**CAUTION:**

**RISK OF FIRE**

- Keep combustible and other materials that can burn away from luminaire and lamp/lens.
- MIN 90°C SUPPLY CONDUCTORS
- Disconnect power and allow fixture to cool before changing bulb or handling fixture.

**Models:**

**HL3 Series**

<b>Included in the box:</b>	
<b>A</b>	LED Fixture - 1pc
<b>B</b>	40" Knotted Chain - 2pcs
<b>C</b>	V hooks - 2pcs

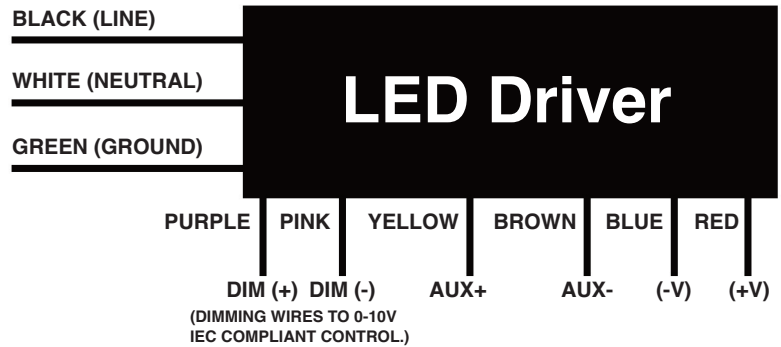


# MaxLite® HL Linear High Bay Generation 3

## Standard Wiring Diagram

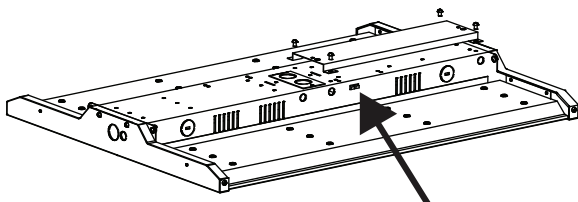
**CAUTION:** Turn off electrical power at fuse or circuit breaker box before wiring fixture to the power supply.

All units must be individually connected to the AC supply.



## Color Temperature Switching Instructions

1. Locate the CCT switch on the lighting fixture. The tab on the switch can be used to adjust CCT.



CCT Switch

2. Based on the requirements the switch can be used to operate the fixture at 4000K or 5000K. **(Default = 5000K)**  
**NOTE:** For the HL3-360 models, there are 2 CCT switches and both need to be adjusted to the required CCT  
**NOTE:** For wattage select model the default wattage is the lowest setting.

## Installation & Operation



**Disconnect the power by turning off the circuit breaker or by removing the appropriate fuse at the fuse box. Turning the power off using the light switch is not sufficient to prevent electrical shock.**

1. Remove the new LED fixture from packaging and inspect for any damage. Handle new LED fixture with care.
2. Connect the LED high bay wiring to line wire, black to black, white to white and green to green. Use only UL listed wiring.
3. Clean all residues/fingerprints from the new LED high bay and lens. Double check all hanging hardware before moving onto the next installation.

### A: Chain Mounting Installation

1. Ensure that both 40° knotted chains have a small hook on both ends.
2. Install both V-hooks onto each side of the fixture body **(Figure A-2)**
3. Connect the V-hooks to the chains with the hooks on each chain. Adjust the height of the installation by locking the chain hook on the other side of the chain. **(Figure A-1)**
4. Use the flexible metallic conduit to run the line, neutral and ground wires for powering the fixture. **(Figure A-1)**

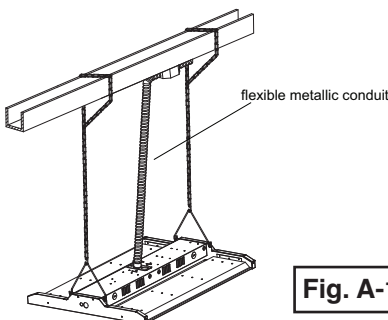


Fig. A-1

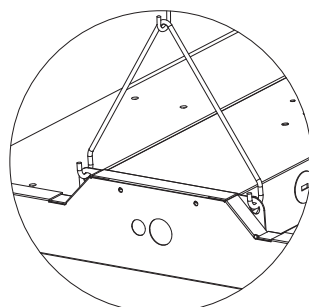


Fig. A-2



# MaxLite® HL Linear High Bay Generation 3

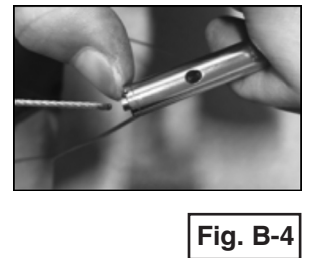
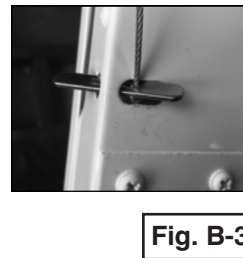
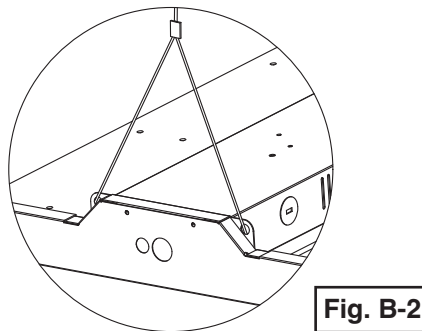
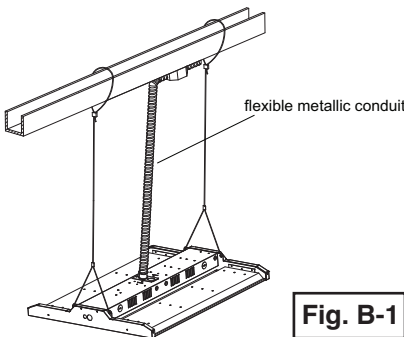
## Installation & Operation

### B: Cable Mounting Installation: MLCHKLSU15 (mounting kit available separately)

Included with the mounting kit	
A	Metal cables - 2pcs

A Metal cables - 2pcs

1. Run the cable kit wires through the four holes provided at each end of the fixture as shown in **Figure B-1**. Ensure that the fastener passes through the hole completely **Figure B-3**.
2. Use the regulator to adjust the height of the fixture **Figure B-4**.
3. Ensure that the fixture is upright and the power conduit is not stressed.
4. Use the flexible metallic conduit to run the line, neutral and ground wires for powering the fixture. (**Figure B-1**)



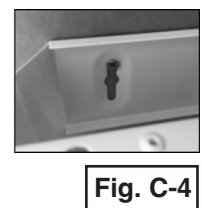
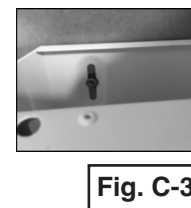
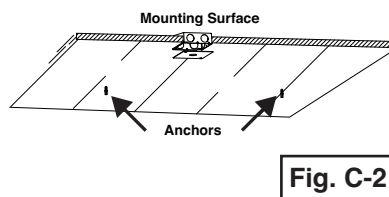
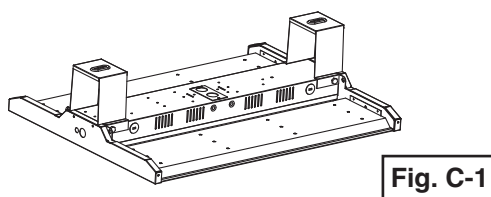
### C. Surface Mounting Installation: HL3-SMKIT (mounting kit available separately)

Included with the mounting kit	
A	Mounting bracket - 2pcs
B	Hex Cap screws with washers - 4pcs

A Mounting bracket - 2pcs

B Hex Cap screws with washers - 4pcs

1. Align the surface mount brackets with the fixture back plate as show in the **Figure C-1**
2. Screw the hexagonal head screws into the rivet nut to fix the surface mount brackets on the fixture body. (**Figure C-1**)
3. Locate the holes on the surface mount brackets and mark the corresponding hole positions on the mounting surface.
4. Nail the anchors at each mark on the mounting surface. Drill the self-tapping screws at the marks. (**Figure C-2**)
5. Lift the fixture to the surface and ensure that each screw passes through the center hole of the mounting bracket. (**Figure C-3**)
6. Slide the fixture to the position so that the fixture stays secured in its place. (**Figure C-4**)

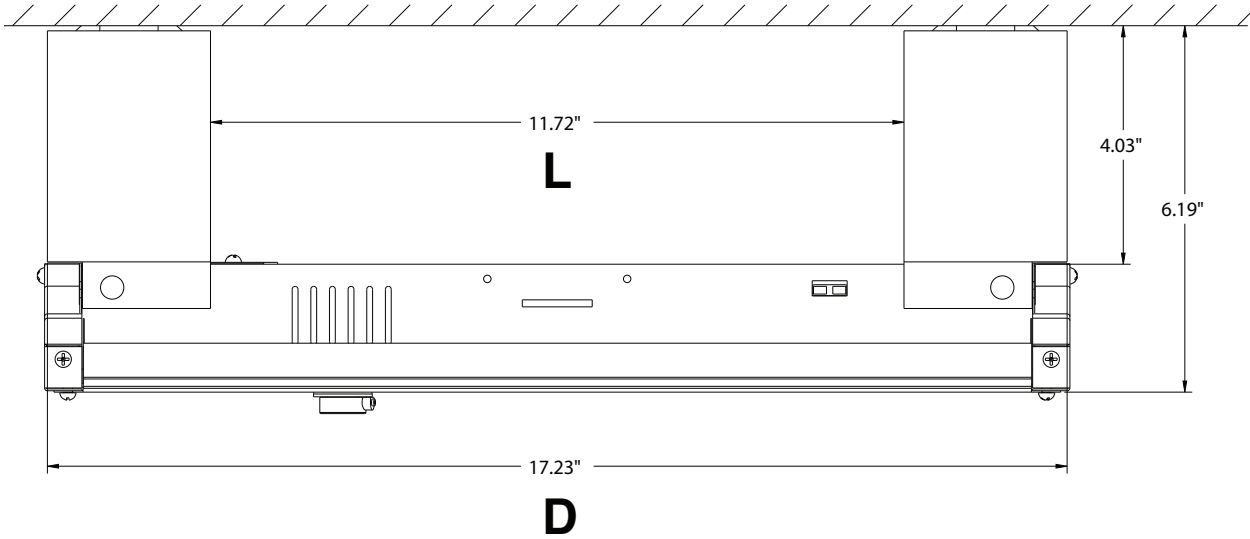




# MaxLite® HL Linear High Bay Generation 3

## Installation & Operation

### C. Surface Mounting Dimensions: HL3-SMKIT (mounting kit available separately)



	Length of fixture (L)	Inner Distance between the 2 SMK brackets (D)
1.5FT - 78W/105W/115W	17.32"	11.72"
2FT - 135W	24.80"	19.20"
2FT - 155W	24.80"	19.20"
4FT - 230W/270W	46.50"	40.89"



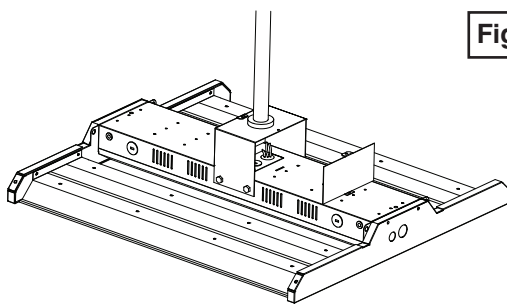
# MaxLite® HL Linear High Bay Generation 3

## Installation & Operation

### D: Stem/Pipe Mounting Installation: HL3-PMKIT (mounting kit available separately)

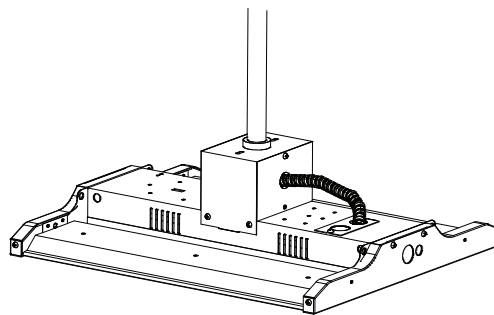
Included with the mounting kit		
	HL3-PMKIT1	HL3-PMKIT2
<b>A</b>	Mounting bracket - 2pcs	Mounting bracket - 2pcs
<b>B</b>	Mounting bracket cover - 2pcs	Mounting bracket cover - 2pcs
<b>C</b>	Triangle lock screws - 6pcs	Triangle lock screws - 2pcs
<b>D</b>	-	Hex Cap Screws with washers - 4pcs

1. Align the pipe mounting bracket on the fixture back plate as shown in the **Figure D-1**.
2. Connect the line, neutral and ground wires and run them through the bracket hole. (**Figure D-2**). A flexible metallic conduit may need to be used for 1.5ft models (**Figure D-2**).
3. Screw the hexagonal head screws into the rivet nuts to fix the pipe mounting bracket in place.
4. Cover the pipe mount bracket from all the sides using the bracket cover as shown. (**Figure D-2**).

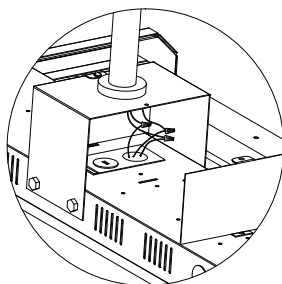


2ft & 4ft Models

Fig. D-1

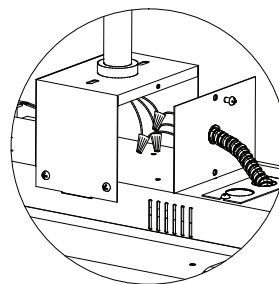


1.5ft Models



2ft & 4ft Models

Fig. D-2



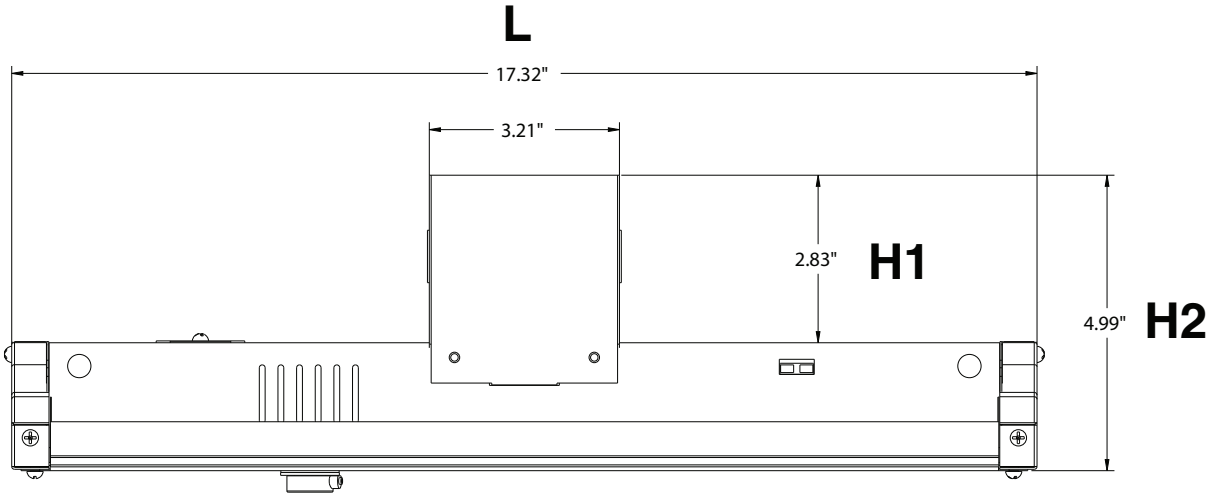
1.5ft Models



# MaxLite® HL Linear High Bay Generation 3

## Installation & Operation

D: Stem/Pipe Mounting Dimensions: HL3-PMKIT (mounting kit available separately)



	Length of fixture (L)	Height from top of the PMK bracket to the top of the housing (H1)	Height from top of the PMK bracket to the bottom of the housing (H2)
1.5FT - 78W/105W/115W	17.32"	2.83"	4.99"
2FT - 135W	24.80"	2.72"	4.88"
2FT - 155W	24.80"	2.72"	4.88"
4FT - 230W/270W	46.50"	2.72"	4.88"

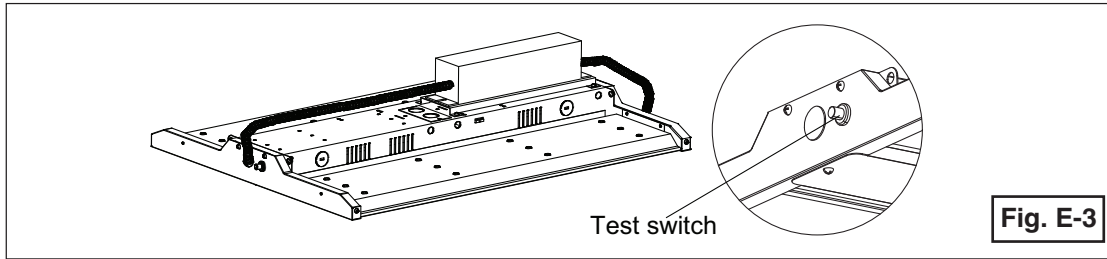
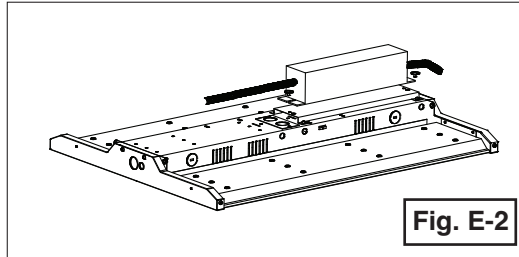
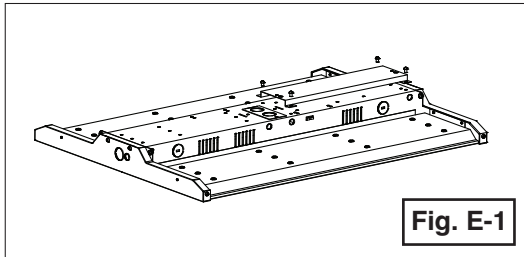


# MaxLite® HL Linear High Bay Generation 3

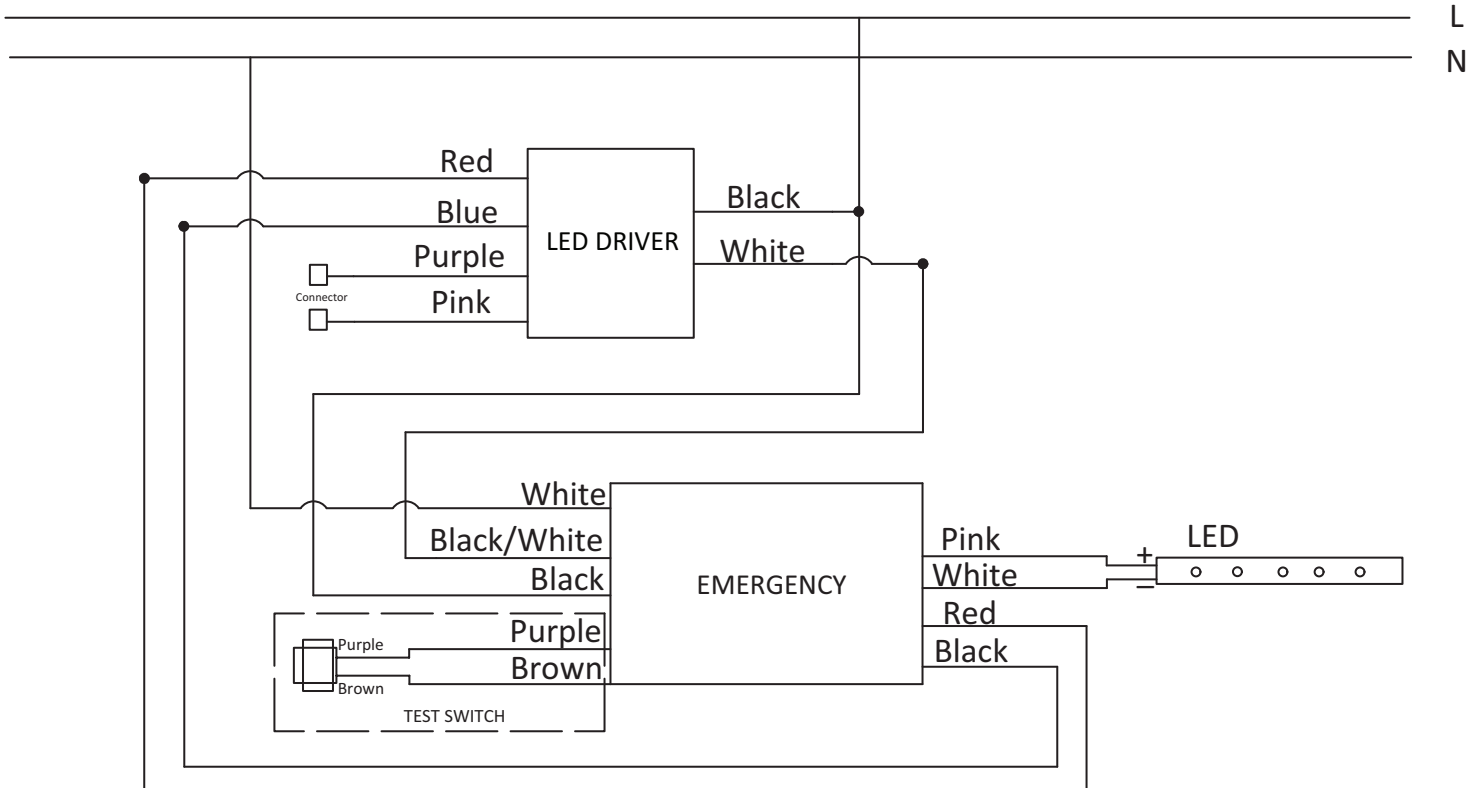
## Installation & Operation

### E: Integrated Emergency Battery Back-up Installation

1. Install the mounting plate to the fixture by using the 4 screws. **(Figure E-1)**
2. Mount the emergency LED driver unit on the mounting bracket using additional screws. **(Figure E-2)**
3. Make the electrical connections as shown. **(Figure E-3)**. Use the Emergency Battery Unit Wiring Diagram.



### Emergency Battery Unit Wiring Diagram





# MaxLite® HL Linear High Bay Generation 3

## Optional Accessories Installation Instructions

### Wire-Guard Installation (HL3-WG%):

MaxLite Part #:	MaxLite Part #:
HL3-WGW1	HL3-WGWS1
HL3-WGW2	HL3-WGWS2
HL3-WGW3	HL3-WGWS3
HL3-WGW4	HL3-WGWS4

**Note:** HL3-WGWSx models must be used when a sensor node needs to be installed.

1. Locate the screw holes on the fixture surface. There should be 5 screw holes for the smaller housing size (150W or less) and 6 screw holes for the larger housing size.
2. Attach the metal clips around the wire guard. Ensure that the clips are spaced evenly so that the screws can be used to fix them.
3. Use the M4\*6 screws to fix the clips on the fixture housing. Ensure that the wire guard is firmly attached.





# MaxLite® HL Linear High Bay Generation 3

## c-Max™ node Installation Instructions (Applicable only on CR models)

1. Remove the set screw from the round c-Max™ USB-C receptacle (see FIG. 1).

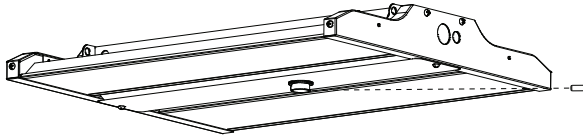


FIG. 1

2. Remove the USB-C receptacle cover by turning it 90° (see FIG. 2).

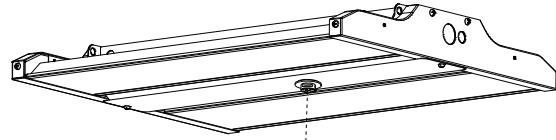
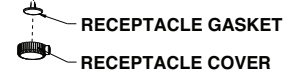


FIG. 2



3. Plug the c-Max™ control node into the USB-C receptacle (see FIG. 3).

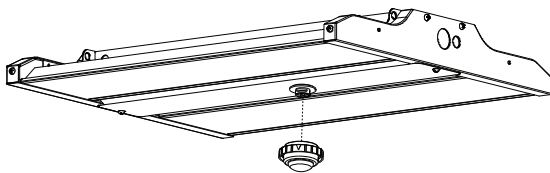


FIG. 3

4. Rotate the outer ring until the arrows align (see FIG. 4).

**Note:** This is important to seal the fixture.

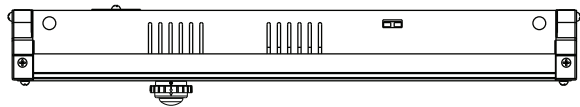


FIG. 4

5. Secure the control node in place with the provided set screw.

**Note:** This is important to prevent vandalism and shaking loose with vibration.

## MaxLite® HL Linear High Bay Generation 3



### Warranty Information

#### **10-Year standard warranty with labor allowance\***

(see terms at [www.maxlite.com/warranties](http://www.maxlite.com/warranties))

\*Warranty Limitations: Product must be rated for application per the Product Data Sheet (PDS); operated ≤16 hrs; in ambient temperatures -4°F to 77°F.

\*Up to \$25/unit; registration required. Additional coverage may be available for purchase; contact MaxLite.

\*Excludes EM/MS versions; component warranty applies.

\*If ambient temperatures fall outside the -4°F to 77°F range; product is warranted for 5 years according to the operating temperature range specified on the PDS.

#### Limitation of Liability

THE FOREGOING WARRANTY IS EXCLUSIVE, AND IS THE SOLE REMEDY FOR ANY AND ALL CLAIMS, WHETHER IN CONTRACT, IN TORT OR OTHERWISE ARISING FROM THE FAILURE OF PRODUCT AND IS IN LIEU OF ALL OTHER WARRANTIES, EXPRESS OR IMPLIED, INCLUDING ALL WARRANTIES OF MERCHANTABILITY OR FITNESS FOR A PARTICULAR PURPOSE, WHICH WARRANTIES ARE HEREBY EXPRESSLY DISCLAIMED TO THE EXTENT PERMITTED BY LAW AND, IN ANY EVENT, SHALL BE LIMITED TO THE WARRANTY PERIOD SPECIFIED ABOVE. THE LIABILITY OF MAXLITE SHALL BE LIMITED TO THE TERMS OF THE EXPRESS WARRANTY SET FORTH HEREIN. IN NO EVENT WILL MAXLITE BE LIABLE FOR ANY SPECIAL, INCIDENTAL OR CONSEQUENTIAL DAMAGES INCLUDING, WITHOUT LIMITATION, DAMAGES RESULTING FROM LOSS OF USE, PROFITS, BUSINESS OR GOODWILL, LABOR COSTS, REMOVAL OR INSTALLATION COSTS, DECREASE IN THE LIGHT OUTPUT OF THE LAMP, AND/OR DETERIORATION IN THE LAMP'S PERFORMANCE, WHETHER OR NOT MAXLITE HAS BEEN ADVISED OF THE POSSIBILITY THEREOF. UNDER NO CIRCUMSTANCES SHALL MAXLITE'S ENTIRE LIABILITY FOR A DEFECTIVE PRODUCT EXCEED THE PURCHASE PRICE OF THAT PRODUCT. WARRANTY SERVICES PROVIDED UNDER THESE TERMS AND CONDITIONS DO NOT ENSURE THE UNINTERRUPTED OPERATION OF PRODUCTS; MAXLITE SHALL NOT BE LIABLE FOR DAMAGES CAUSED BY ANY DELAYS INVOLVING WARRANTY SERVICE.

This Limited Warranty gives you specific legal rights and you may also have other rights that may vary from state to state. Because some states or jurisdictions do not allow the exclusion or limitation of liability for consequential or incidental damages, this limitation may not apply to you.