

DESCRIPTION

Featuring a low-profile design, this 100W round LED high bay is a cost-effective solid state solution for high bay applications, providing a one-for-one replacement of 250 Watt metal halide fixtures.

FEATURES

- Up to 137 LPW ultra-high efficiency delivers superior performance over older HID high bays
- 0-10V dimming
- Instant-on with no warmup
- 6kV surge protection
- 6' power cord w/o plug standard for more installation flexibility

LISTINGS

- IP65 Rated
- UL Listed for wet locations

PERFORMANCE

- CRI: >80
- CCT: 5000K
- Rated lifetime L70: 50000 hours
- Philips Lumileds LEDs and Sosen driver

THERMAL

- -40°F to 122°F (-40°C to 50°C) operating temperature

ELECTRICAL

- THD: ≥ 0.9
- Power Factor: ≤ 20%
- Input Voltage: 120-277V
- Surge Protection: 6kV
- Dimmable power supply (0-10V)

INSTALLATION

- Suspended mounting with included 10mm ring or surface mounting with u-bracket (sold separately); see installation instructions for more information

CONSTRUCTION

- Ships standard with impact resistant polycarbonate lens & reflector (90°)
- Slim, lightweight die-cast aluminum construction (6.94 lbs) allows for quick and easy installation
- 18-gauge power conductors (Line, Neutral, and Ground)
- 22-gauge control conductors (DIM +, DIM -, AUX)

| | |
|----------------|---------|
| project name | type |
| catalog number | |
| comments | voltage |
| approved by | date |



APPLICATIONS

- Warehouses
- Manufacturing Plants
- Distribution Centers
- Grocery Stores
- Gymnasiums
- Indoor Recreational Facilities
- Cold Storage
- Big Box Retail
- Service Repair Centers

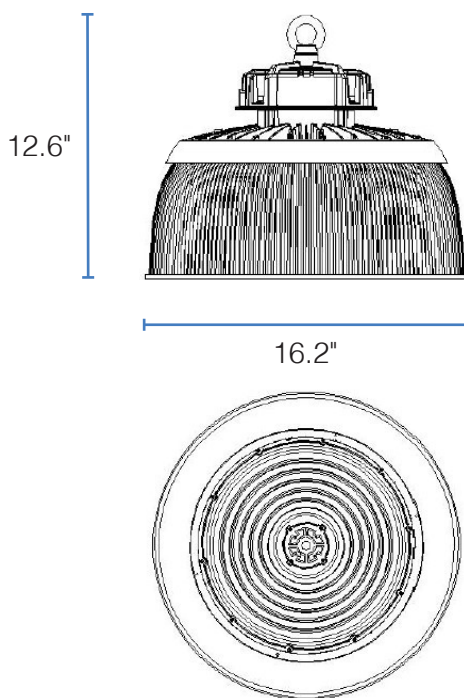
PERFORMANCE SUMMARY

| Item # | Model | Watts | Lumens | LPW | CCT | CRI | Dimming | Voltage | Replaces |
|------------|-------------------------|-------|--------|-----|-------|-----|---------|----------|----------|
| PLTS-11991 | Highbay w/ Reflector | 100 | 13741 | 137 | 5000K | >80 | 0-10V | 120-277V | MH250 |

MOUNTING ACCESSORIES

| SKU | Description |
|------------|------------------------------|
| PLTS-12378 | Adjustable U-Bracket - Black |

DIMENSIONS



DIMENSIONS

Height: 6.7"

Diameter: 11.8"

Weight: 5.1 lbs.

Ring Mount Thread Size: 10MM

DIMENSIONS W/ REFLECTOR

Height: 12.6"

Diameter: 16.2"

Weight: 6.94 lbs.

Ring Mount Thread Size: 10MM