



WARNING

- Installation, service, and maintenance of luminaries should be performed by a qualified licensed electrician.
- Please read all instructions before attempting installation.
- Disconnect product and allow to cool prior to servicing.

CAUTION

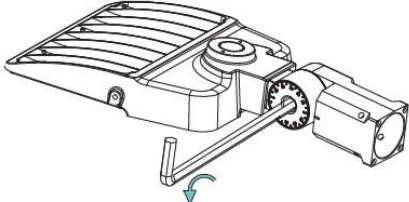
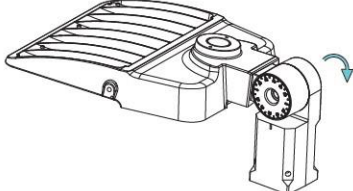
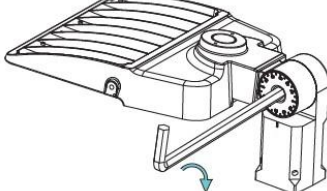
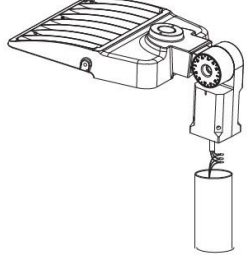
- Any alteration or modification of the product is forbidden as it may cause personal injury, death, property damage, and/or product malfunction.
- Min 75°C supply conductors.
- Consult a licensed electrician to ensure correct branch circuit conductor.

NOTICE

- This luminaire is designed to operate in ambient temperature ranging from -40°F to 113°F (-40°C to 45°C).

Installation Instructions

Slip Fitter (Suitable for max. pole size 2 3/8")

1. Loosen the positioning screw using Allen key.	
2. Position to desired angle.	
3. Tighten the positioning screw.	
4. Connect the L/N/GND wires.	

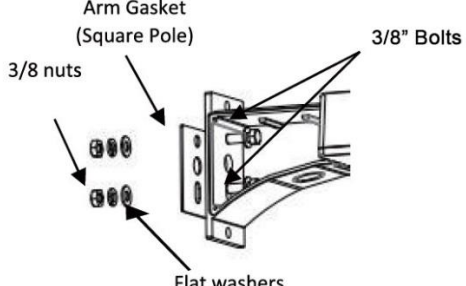
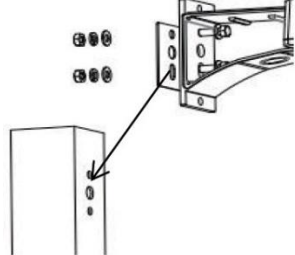
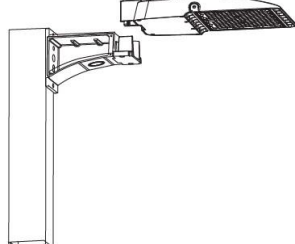
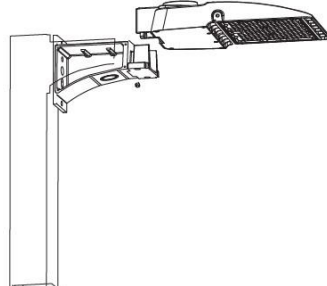


COLOR/WATTAGE SELECTABLE LED AREA LIGHT FIXTURE

WARNING, CAUTION, SAFETY AND INSTALLATION INSTRUCTIONS

<p>5. Connect the mount to light pole, and tighten all bolts.</p>	
---	---

Round Pole (Suitable for 4" to 6" pole) Straight Pole (Suitable for 3"x 3" or larger pole)

<p>1. Loosen the two 3/8" bolts from the mounting arm.</p>	
<p>2. Align the two holes from the mounting arm to the pole and tighten the bolts.</p>	
<p>3. Slide the fixture in the pole mount and connect the L/N/GND wires through the wire-hole.</p>	
<p>4. Tighten the bolts on the mounting arm.</p>	

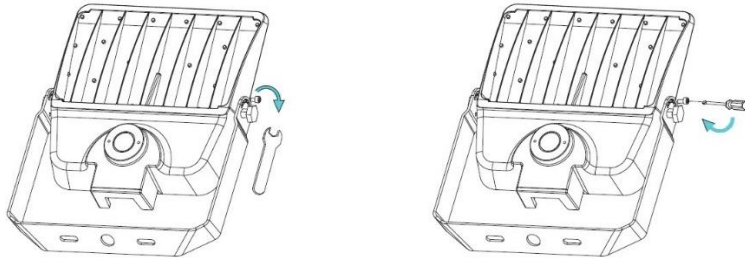


COLOR/WATTAGE SELECTABLE LED AREA LIGHT FIXTURE

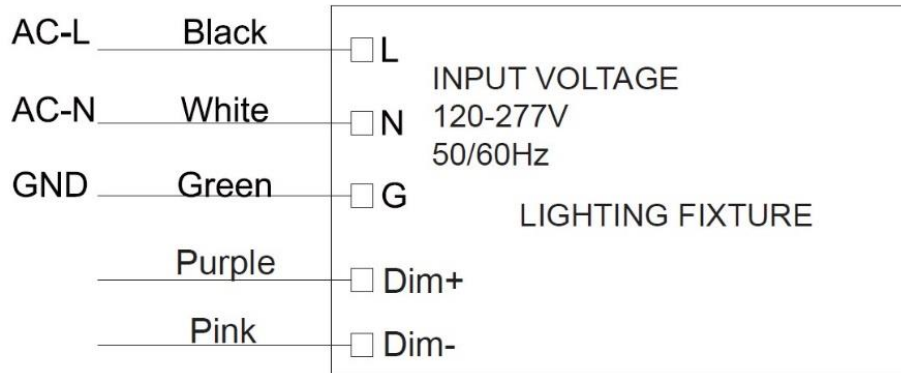
WARNING, CAUTION, SAFETY AND INSTALLATION INSTRUCTIONS

U-Bracket

1. Loosen the 2x M12 and 2x M5 screws.
2. Position the fixture to desired angle, and tighten 2x M5 positioning bolts on one side.
3. Tighten the 2x M12 and 2x M5 bolts on the other side.



Wiring Diagram (120-277V)



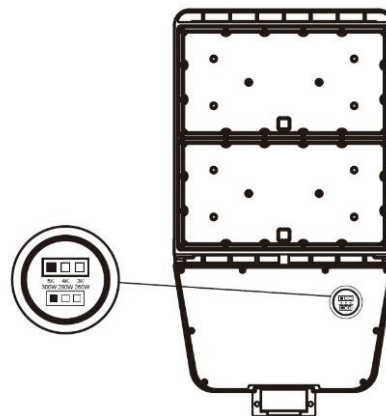
Wattage & CCT Selectable Guidance

Replace and tighten the waterproof cover after selecting the wattage and CCT.

Wattage Select:



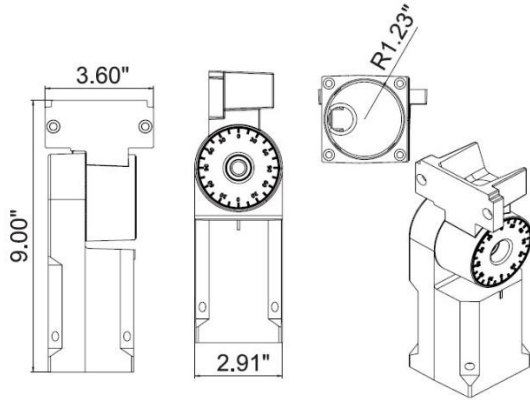
CCT Select:



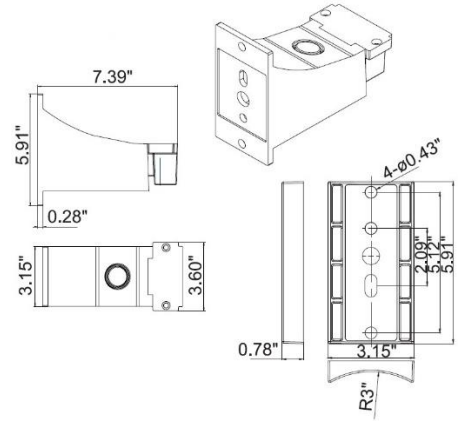


Mounting Arms

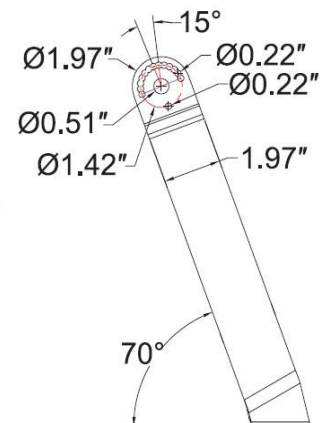
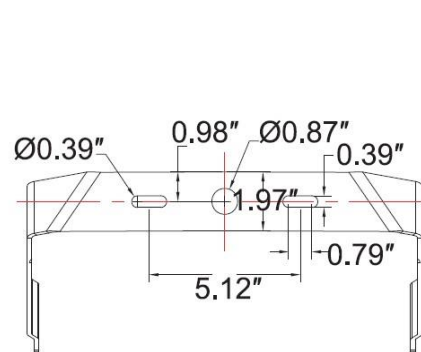
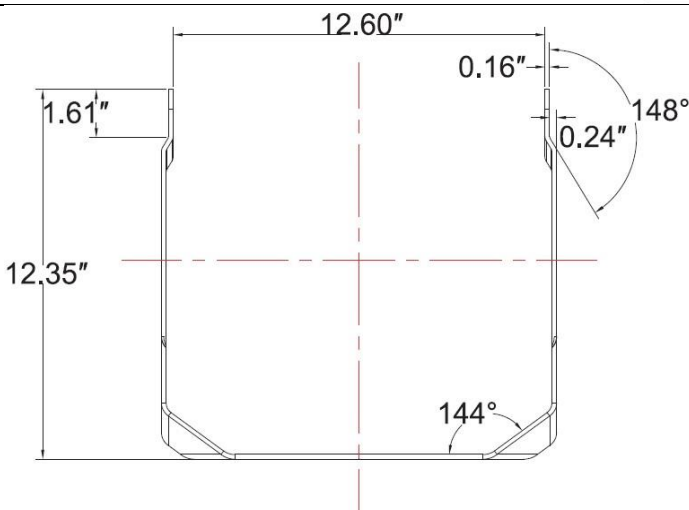
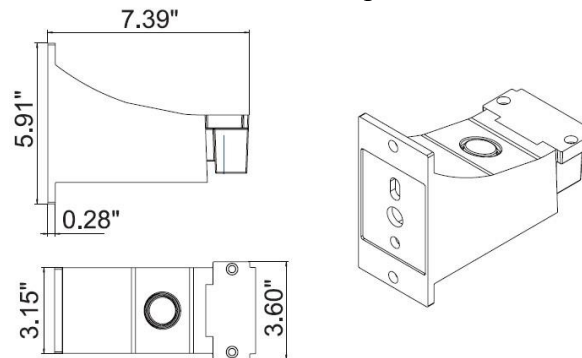
1. Installation angle: 0-90°
2. Max pole size: 2-3/8"
3. Each rotation is 4°
4. Max load weight: 110 lbs



1. Installation: wall mount or round pole
2. Pole size: 4", 5", 6"
3. Max load weight: 110 lbs



1. Installation: wall mount or square pole
2. Pole size: 3x3" or larger
3. Max load weight: 110 lbs





⚠ WARNING

- Before installing, servicing, or performing routine maintenance upon this equipment, follow these general precautions.
- To reduce the risk of death, personal injury, or property damage from fire, electric shock, falling parts, cuts/abrasions, and other hazards, read all warnings and instructions included with and on the fixture box and all fixture labels.
- Proper grounding is required to ensure safety.
- Power must be turned off at the breaker before installation or maintenance.
- This product must be installed in accordance with the applicable installation code by a person familiar with the construction and operation of the product and the hazards involved.
- Wear gloves and eye protection at all times while installing, servicing, or performing maintenance on the luminaire, and avoid direct eye exposure to the light source while it is on.
- To prevent wiring damage or abrasion, do not expose wiring to edges of sheet metal or other sharp objects.
- Do not install damaged product. Inspect luminaire for damage that may have occurred during transit. If damaged, contact the manufacturer immediately.
- These instructions do not purport to cover all details or variations in equipment nor to provide every possible contingency to meet in connection with installation, operation, or maintenance. Should further information be desired or should particular problems arise which are not covered sufficiently for the purchaser's or owner's purposes, contact the manufacturer.

⚠ ADVERTENCIA

- Antes de instalar, reparar o realizar el mantenimiento de rutina de este equipo, siga estas precauciones generales.
- Para reducir el riesgo de muerte, lesiones personales o daños a la propiedad por fuego, descarga eléctrica, caída de piezas, cortes / abrasiones y otros peligros, lea todas las advertencias y instrucciones incluidas con y en la caja del dispositivo y todas las etiquetas del dispositivo.
- Se requiere una conexión a tierra adecuada para garantizar la seguridad.
- Se debe apagar la energía en el disyuntor antes de la instalación o el mantenimiento.
- Este producto debe ser instalado de acuerdo con el código de instalación aplicable por una persona familiarizada con la construcción y operación del producto y los peligros involucrados.
- Utilice guantes y protección para los ojos en todo momento durante la instalación, el servicio o el mantenimiento de la luminaria, y evite la exposición directa de los ojos a la fuente de luz mientras está encendida.
- Para evitar daños o abrasiones en el cableado, no exponga el cableado a bordes de láminas de metal u otros objetos afilados.
- No instale un producto dañado. Inspeccione la luminaria en busca de daños que puedan haber ocurrido durante el tránsito. Si está dañado, comuníquese con el fabricante de inmediato.
- Estas instrucciones no pretenden cubrir todos los detalles o variaciones en el equipo ni proporcionar todas las posibles contingencias a cumplir en relación con la instalación, operación o mantenimiento. Si desea obtener más información o si surgen problemas particulares que no están suficientemente cubiertos para los propósitos del comprador o propietario, comuníquese con el fabricante.