

DESCRIPTION

Reducing energy and maintenance costs, this LED high bay is a one-for-one replacement for 400W and 1000W metal halide fixtures and 6 or 8 lamp fluorescent fixtures.

FEATURES

- Up to 136 LPW ultra-high efficiency delivers superior performance over legacy HID high bays
- 0-10V dimming; see Compatible Dimmers section for full list of compatible dimmers

LISTINGS

- UL rated for damp locations

PERFORMANCE

- CRI: 80
- CCT: 5000K
- LED L70 Life Hours @ 25°C: 100,000
- Seoul Semiconductor LEDs

THERMAL

- -4°F to 122°F (-20°C to 50°C) operating temperature

ELECTRICAL

- Input Voltage: 120-277V
- Dimmable power supply (0-10V)

INSTALLATION

- Designed for chain suspension with V-hooks and 3.4 ft. chains included; see Installation Instruction PDF for more information

CONSTRUCTION

- Stamped sheet metal housing with white finish
- PMMA lens protects LEDs while evenly distributing light

WARRANTY

- 5 year limited warranty; see pltsolutions.com for warranty details

project name	type
catalog number	
comments	voltage
approved by	date



APPLICATIONS

- Warehouses
- Manufacturing Plants
- Distribution Centers
- Grocery Stores
- Gymnasiums
- Indoor Recreational Facilities
- Cold Storage
- Big Box Retail
- Service Repair Centers

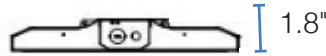
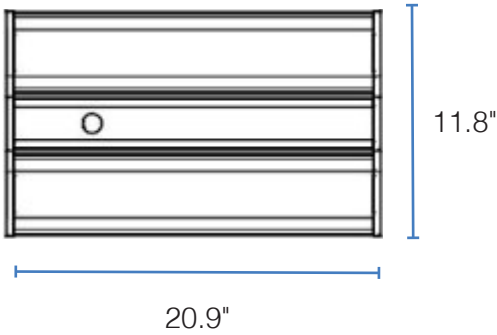
PERFORMANCE SUMMARY

Item #	Model	Watts	Lumens	LPW	CCT	CRI	Dimming	Dimming	Replaces	Length
PLT-90315	Linear	210W	28,560	136	5000K	80	0-10V	120-277V	MH400	1.7'
PLT-90316	Linear	255W	34,680	136	5000K	80	0.10V	120-277V	MH1000	2.6'

COMPATIBLE DIMMERS

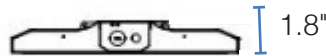
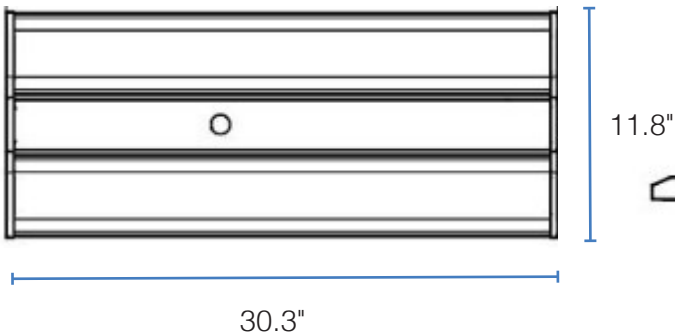
BRAND	Model	Dim to Off Voltage
LUTRON	NTSTV-DV	0.527V
LUTRON	NFTV	0.515V
LUTRON	DVTV	0.765V
LEVITON	IP710	0.609V
LEVITON	DS710	0.578V
LEGRAND	RH4FBL3PW	0.568V

DIMENSIONS



210W FIXTURE

Length: 20.9"
 Depth: 1.8"
 Width: 11.8"
 Weight: 8.11 lbs



255W FIXTURE

Length: 30.3"
 Depth: 1.8"
 Width: 11.8"
 Weight: 11.55 lbs