



COLOR SELECTABLE LED UNDER CABINET LIGHT FIXTURE

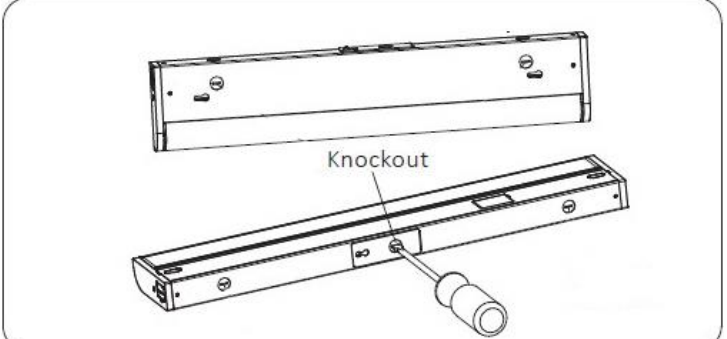
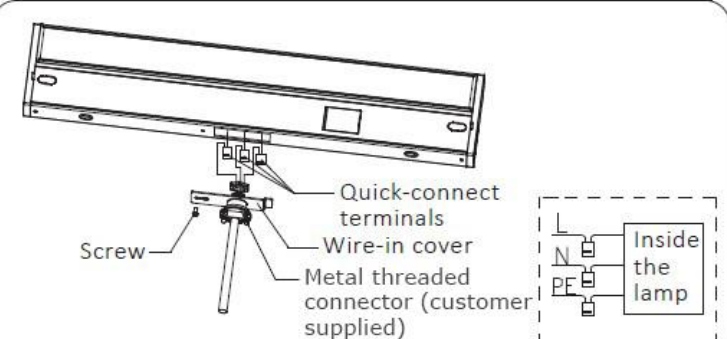
WARNING, CAUTION, SAFETY AND INSTALLATION INSTRUCTIONS

WARNING

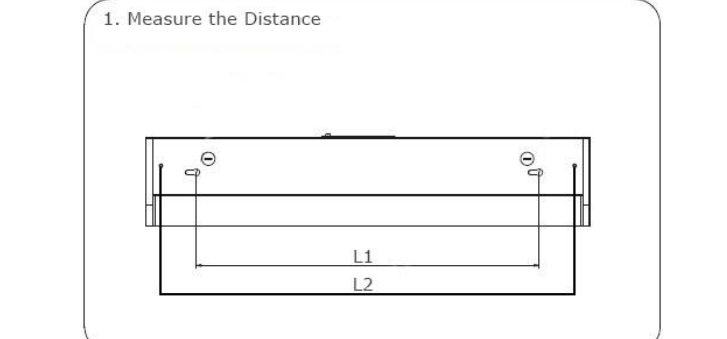
- Installation, service, and maintenance of luminaries should be performed by a qualified licensed electrician.

Installation Instructions

Electrical Connection

<p><u>Prepare to install</u></p> <ol style="list-style-type: none">Before installing the fixture, please make sure that the power is turned off.Use a large flathead head screwdriver and insert it into the slot of the knockout hole, and rotate it firmly to remove.	 <p>Knockout</p>
<ol style="list-style-type: none">Enter the wire through the knockout hole at the wire-in cover: Thread the input wire through metal threaded connector (customer supplied). Use a Philips screwdriver to remove the screw attaching the wire-in cover. Connect the positive, the negative, and ground wires to the corresponding quick-connect terminals. Reattached the wire-in cover.	 <p>Screw</p> <p>Quick-connect terminals</p> <p>Wire-in cover</p> <p>Metal threaded connector (customer supplied)</p> <p>Inside the lamp</p>

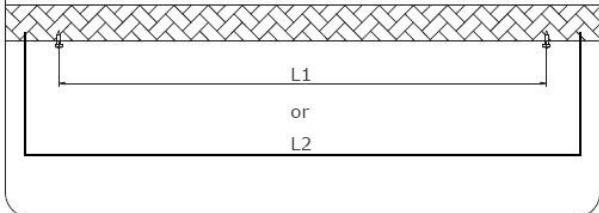
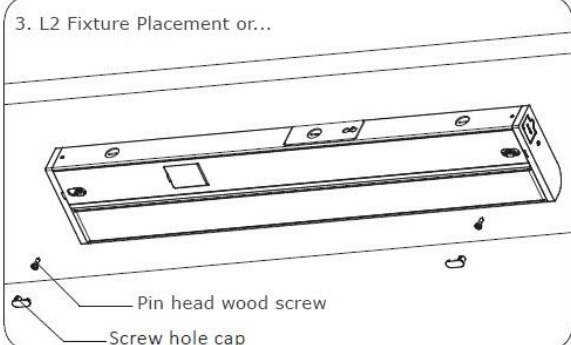
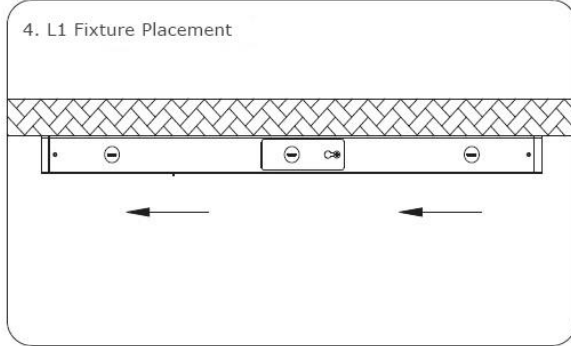
Fixture Placement (2 Options)

<ol style="list-style-type: none">Measure the shorter L1 “slot hole” distance or the longer L2 “pin hole” distance in accordance with customer’s desired mounting option.	<p>1. Measure the Distance</p>  <p>L1</p> <p>L2</p>
---	---

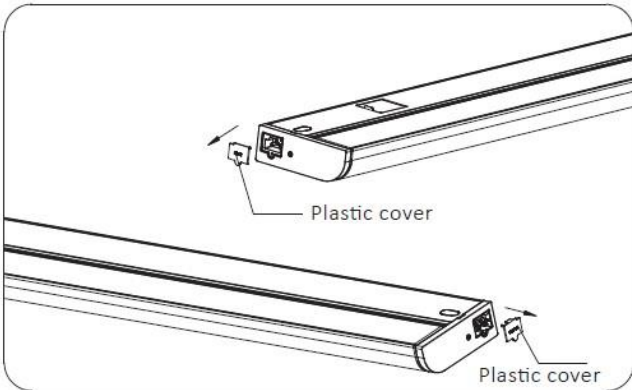


COLOR SELECTABLE LED UNDER CABINET LIGHT FIXTURE

WARNING, CAUTION, SAFETY AND INSTALLATION INSTRUCTIONS

<p>(2.) Drill appropriate pilot holes given varying L1 or L2 screw width AND depth of material into which screws will be sunk.</p>	<p>2. Drill Holes</p> 
<p>(3.) Secure the fixture to the mounting surface using the thinner L2 "pin head" screws, and cover them with the screw hole caps.</p>	<p>3. L2 Fixture Placement or...</p>  <p>Pin head wood screw Screw hole cap</p>
<p>(4.) Partially sink the wider L1 "slot hole" screws. Remove the power and CCT selection switches face plate by removing the 2 Philips head screws. Position the fixture over wider L1 screw heads, and slide the fixture as presented in the image (noting it's back-of-fixture perspective).</p> <p>Secure the fixture to the mounting surface by fully tightening the L1 screws. Replace the switches face plate, and secure the Philips head screws.</p>	<p>4. L1 Fixture Placement</p> 
<p>(5.) Adjust the desired brightness and CCT selection with the appropriate switches.</p>	

Splicing Options

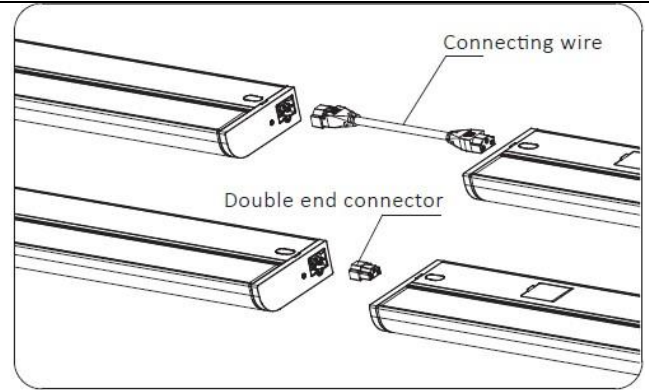
<p>Remove the "INPUT" plastic cover plate at the left end of the fixture and the "OUTPUT" plastic cover plate at the right end. Note that the "OUTPUT" plastic cover does not need to be removed on one end of the fixture if only connecting two fixtures.</p>	 <p>Plastic cover Plastic cover</p>
---	---



COLOR SELECTABLE LED UNDER CABINET LIGHT FIXTURE

WARNING, CAUTION, SAFETY AND INSTALLATION INSTRUCTIONS

- Connecting wire connection: Use the connecting wire to connect the output end of the previous lamp to the input end of the next lamp.
- Double-ended connector connection: Use a double-ended connector to connect the output end of the previous lamp with the input end of the next lamp.



FEATURES




Adjust the angle.

The rotatable luminaire faces the direction that suits your space, and the maximum can be adjusted to 90 degrees.



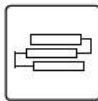
Brightness adjustment.

Full power, 50% power or off. Adjust the switch “” with your fingers for different brightness.



5CCT adjustment.

2700K-3000K-3500K-4000K-5000K, to meet the needs of different scenarios.



Splicing function.

Multiple lamps can be connected together by connecting wires or connectors. The maximum power is 400W.

⚠ WARNING

- Before installing, servicing, or performing routine maintenance upon this equipment, follow these general precautions.
- To reduce the risk of death, personal injury, or property damage from fire, electric shock, falling parts, cuts/abrasions, and other hazards, read all warnings and instructions included with and on the fixture box and all fixture labels.
- Proper grounding is required to ensure safety.
- Power must be turned off at the breaker before installation or maintenance.
- This product must be installed in accordance with the applicable installation code by a person familiar with the construction and operation of the product and the hazards involved.
- Wear gloves and eye protection at all times while installing, servicing, or performing maintenance on the luminaire, and avoid direct eye exposure to the light source while it is on.
- To prevent wiring damage or abrasion, do not expose wiring to edges of sheet metal or other sharp objects.
- Do not install damaged product. Inspect luminaire for damage that may have occurred during transit. If damaged, contact the manufacturer immediately.



COLOR SELECTABLE LED UNDER CABINET LIGHT FIXTURE

WARNING, CAUTION, SAFETY AND INSTALLATION INSTRUCTIONS

- These instructions do not purport to cover all details or variations in equipment nor to provide every possible contingency to meet in connection with installation, operation, or maintenance. Should further information be desired or should particular problems arise which are not covered sufficiently for the purchaser's or owner's purposes, contact the manufacturer.

⚠ ADVERTENCIA

- Antes de instalar, reparar o realizar el mantenimiento de rutina de este equipo, siga estas precauciones generales.
- Para reducir el riesgo de muerte, lesiones personales o daños a la propiedad por fuego, descarga eléctrica, caída de piezas, cortes / abrasiones y otros peligros, lea todas las advertencias y instrucciones incluidas con y en la caja del dispositivo y todas las etiquetas del dispositivo.
- Se requiere una conexión a tierra adecuada para garantizar la seguridad.
- Se debe apagar la energía en el disyuntor antes de la instalación o el mantenimiento.
- Este producto debe ser instalado de acuerdo con el código de instalación aplicable por una persona familiarizada con la construcción y operación del producto y los peligros involucrados.
- Utilice guantes y protección para los ojos en todo momento durante la instalación, el servicio o el mantenimiento de la luminaria, y evite la exposición directa de los ojos a la fuente de luz mientras está encendida.
- Para evitar daños o abrasiones en el cableado, no exponga el cableado a bordes de láminas de metal u otros objetos afilados.
- No instale un producto dañado. Inspeccione la luminaria en busca de daños que puedan haber ocurrido durante el tránsito. Si está dañado, comuníquese con el fabricante de inmediato.
- Estas instrucciones no pretenden cubrir todos los detalles o variaciones en el equipo ni proporcionar todas las posibles contingencias a cumplir en relación con la instalación, operación o mantenimiento. Si desea obtener más información o si surgen problemas particulares que no están suficientemente cubiertos para los propósitos del comprador o propietario, comuníquese con el fabricante.