



## DESCRIPTION

Easily add versatile lighting to your ceilings by installing these color selectable LED downlights featuring 5 selectable color temperatures.

## FEATURES

- Energy efficient replacement for 50W, 80W, 120W, and 150W incandescents
- High color rendering index (CRI) of 90 makes color appear more naturally
- Light output varies depending on the color temperature selected; see Selectable Table for more information.
- IC Rated and air-tight
- 0-10V dimming; see Compatible Dimmers section for a full list of compatible dimmers
- Color temperature can be adjusted via switch inside of the driver box; see installation instructions for more information

## LISTINGS

- ETL Listed for wet locations
- Energy Star
- Title 24
- JA8
- IC Rated
- FCC
- RoHS

## PERFORMANCE

- CRI: >90
- CCT: 2700K, 3000K, 3500K, 4000K, and 5000K
- LED L70 Life Hours @ 25°C: 54,000 hours

## THERMAL

- -4°F to 104°F (-20°C to 40°C) operating temperature

## ELECTRICAL

- THD: ≤15
- Power Factor: ≥0.9
- Input Voltage: 120-277V
- Surge Protection: 0.5-1k

## INSTALLATION

- Designed for installation to J-box (hardware not included); see installation instructions for more details

## CONSTRUCTION

- Aluminum body with trim, both with white finish
- Frosted PMMA lens

## WARRANTY

- 5-year limited warranty; see [pltsolutions.com](http://pltsolutions.com) for warranty details

project name	type
catalog number	
comments	voltage
approved by	date



## APPLICATIONS

- Offices
- Lobbies
- Conference Rooms
- Living Rooms
- Hallways
- Bathrooms
- Laundry Rooms

PERFORMANCE	Power Consumption*	10, 15 Watt
	CRI	>90
	CCT*	2700K, 3000K, 3500K, 4000K, 5000K
	Beam Angle	90°, 95°
	LED L70 Life Hours	54,000
ELECTRICAL	Power Factor	>0.9
	THD	120-277V
	Input Voltage	White
CONSTRUCTION	Housing	Frosted
	Lens	ETL Listed; IC Rated
LISTINGS	Certifications	RoHS – No mercury or lead
	Environment	Wet Location Rated

## PERFORMANCE SUMMARY

Item #	UPC	Size	Wattage*	CCT*	Voltage	Replaces	CRI	Beam Angle	LED L70 Life Hours	Dimmable	Energy Star
PLT-20269	842821120754	3"	6	2700K / 3000K / 3500K 4000K / 5000K	120-277V	50W Incan.	>90	90°	54,000	Yes	PLTSBH9551
PLT-20270	842821120761	4"	10	2700K / 3000K / 4000K 5000K	120-277V	80W Incan.	>90	95°	54,000	Yes	PLTSBF1551
PLT-20271	842821120778	6"	15	2700K / 3000K / 3500K 4000K / 5000K	120-277V	120W Incan.	>90	95°	54,000	Yes	PLTSBD2551
PLT-20272	842821120785	8"	25	2700K / 3000K / 3500K 4000K / 5000K	120-277V	150W Incan.	>90	95°	54,000	Yes	PLTSBLC551

\* See Selectable Table for full breakdown

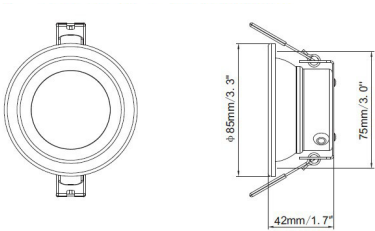
## SELECTABLE TABLE

Wattage	CCT	Lumen	Efficacy
6	2700K	400	67
	3000K	450	75
	3500K	460	77
	4000K	460	77
	5000K	450	75
10	2700K	850	73
	3000K	900	80
	3500K	980	87
	4000K	980	87
	5000K	900	80
15	2700K	900	60
	3000K	850	57
	3500K	1300	87
	4000K	1300	87
	5000K	1200	90
25	2700K	1800	72
	3000K	2000	80
	3500K	2100	84
	4000K	2100	84
	5000K	2100	84

## DIMMER COMPATIBILITY

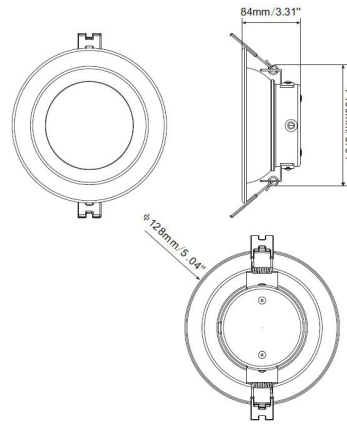
Brand	Model
LEGRAND	RH4FBL3PTCCC6
LEGRAND	RH4FBL3PTC
LUTRON	DVSTV-WH
LUTRON	DVSTV-36WH29
LUTRON	MS-Z101
LUTRON	RMJS-8TN-DV-B
LEVITON	IP710-LFZ

## DIMENSIONS



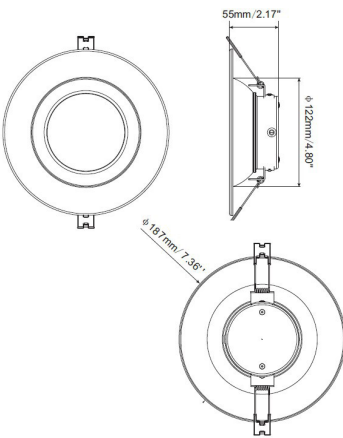
### 3" DOWNLIGHT

Outside Diameter – 3.3"  
 Inside Diameter – 1.97"  
 Height – 1.7"



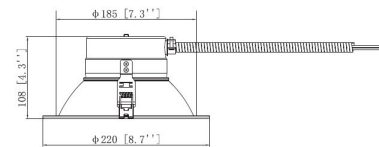
### 4" DOWNLIGHT

Outside Diameter – 5.04"  
 Inside Diameter – 2.80"  
 Height – 3.31"



### 6" DOWNLIGHT

Outside Diameter – 7.36"  
 Inside Diameter – 3.19"  
 Height – 2.17"

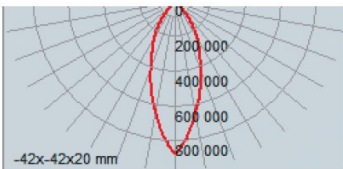


### 8" DOWNLIGHT

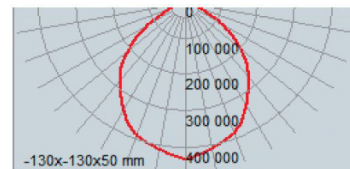
Outside Diameter – 8.7"  
 Inside Diameter – 4.29"  
 Height – 4.3"

## PHOTOMETRICS

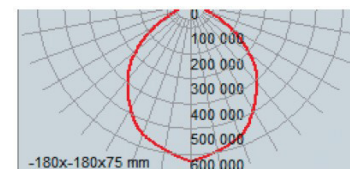
### 3" DOWNLIGHT



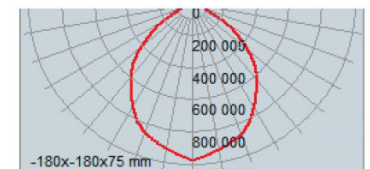
### 4" DOWNLIGHT



### 6" DOWNLIGHT



### 8" DOWNLIGHT



## WARNINGS

- Cutout size requirements: 3" – 4"; 4" – 4.65"; 6" – 5.5"; 8" – 7.28"