

DESCRIPTION

Featuring a low-profile design, this 200W UFO LED high bay is a cost-effective solid state solution for high bay applications, providing a one-for-one replacement of 400 Watt metal halide fixtures. The high bay is NSF/ANSI 2 certified, so it's approved for safe use in areas where food is handled like kitchens, cafeterias, pantries, and bakeries.

FEATURES

- Up to 140 LPW ultra-high efficiency delivers superior performance over older HID high bays
- 3' power cord standard for more installation flexibility
- 0-10V dimming

LISTINGS

- ETL rated for wet locations
- NSF/ANSI2 – Food Equipment
- IP66 & IP69K
- IK08
- DesignLights Consortium® 5.1 Premium - meets the requirements for the highest DLC qualification for efficacy and lumen maintenance; DLC PN - PLTA141221

PERFORMANCE

- CRI: 80
- CCT: 5000K
- LED L70 Life Hours: 131,000 hours
- Sosen driver

THERMAL

- -22°F to 113°F (-30C to 45°C) operating temperature

ELECTRICAL

- THD: < 20%
- Power Factor: >0.95
- Input Voltage: 120-277V
- Surge Protection: 6kV
- Dimmable power supply (0-10V)

INSTALLATION

- Suspended mounting with included 10mm metal ring hanger; see installation instructions for more information

CONSTRUCTION

- Slim, lightweight aluminum alloy construction (10.27 lbs) allows for quick and easy installation
- Polycarbonate optical lens
- White finish

project name	type
catalog number	
comments	voltage
approved by	date



WARRANTY

- 5 year limited warranty; see pltsolutions.com for warranty details

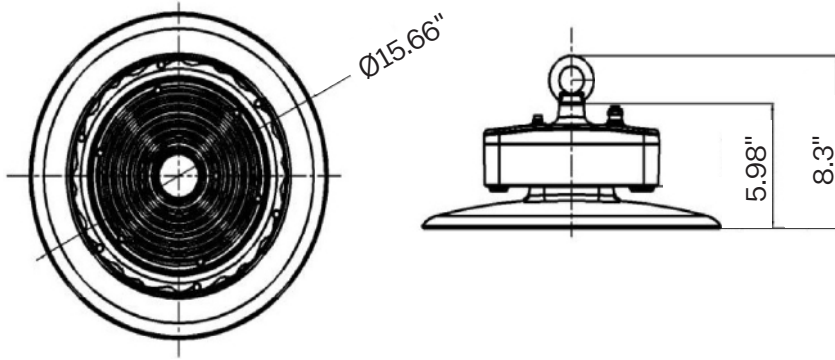
APPLICATIONS

- Warehouses
- Manufacturing Plants
- Distribution Centers
- Grocery Stores
- Gymnasiums
- Indoor Recreational Facilities
- Cold Storage
- Big Box Retail
- Service Repair Centers

PERFORMANCE SUMMARY

Item #	Model	Watts	Lumens	LPW	CCT	CRI	Voltage	Replaces	DLC #	DLC Rating
PLT-12507	UFO	200	28,000	140	5000K	80	120-277V	MH400	PLTA141221	5.1 Premium

DIMENSIONS



DIMENSIONS

Height: 5.98"

Height with ring mount: 8.3"

Diameter: 15.66"

Weight: 10.27 lbs

Ring Mount Thread Size: 10MM

PHOTOMETRICS

