

DESCRIPTION

Reduce energy and maintenance costs by replacing 400W metal halide bulbs with these more efficient 155W LED high bay retrofit bulbs.

FEATURES

- Delivers 137 LPW for highly efficient performance
- Extended Mogul EX39 base
- 0-10V dimming
- 4kV surge protection
- Safety cable included
- Ballasts, capacitors, and starters must be removed (bypassed) from fixture during installation; see installation instructions for more information

LISTINGS

- UL rated for dry locations
- Rated for use in enclosed fixtures
- CE
- RoHS
- FCC Part 15
- DesignLights Consortium® 5.1 Standard - meets the requirements for the highest DLC qualification for efficacy and lumen maintenance; DLC Part Number- PLTBH414

PERFORMANCE

- CRI: >80
- CCT: 5000K
- LED L70 Life Hours: ≥100,000 hours

THERMAL

- -40°F to 113°F (-40°C to 45°C) operating temperature

ELECTRICAL

- THD: <20%
- Power Factor: >0.9
- Input Voltage: 120-277V
- Surge Protection: 4kV
- Dimmable power supply (0-10V)

| | |
|----------------|---------|
| project name | type |
| catalog number | |
| comments | voltage |
| approved by | date |



WARRANTY

- 5 year limited warranty; see pltsolutions.com for warranty details

APPLICATIONS

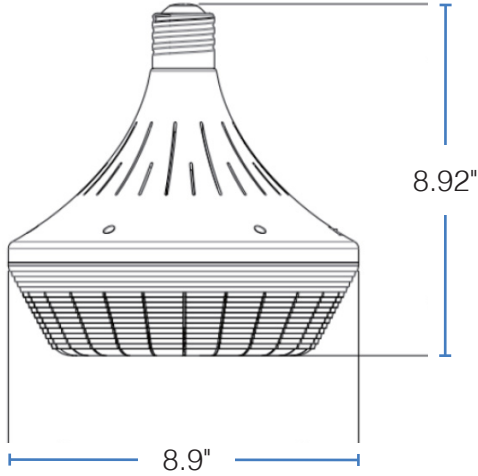
- Warehouses
- Factories
- Convention Centers
- Industrial Buildings

| | | |
|---------------------|-----------------------|--|
| PERFORMANCE | Power Consumption | 200 Watt |
| | Lumens | 27400 |
| | Efficacy (LPW) | 137 |
| | CRI | >80 |
| | CCT | 5000K |
| | LED L70 Life Hours | ≥100,000 |
| ELECTRICAL | Power Factor | >0.9 |
| | THD | <20% |
| | Input Voltage | 120-277V |
| CONSTRUCTION | Operating Temperature | -40°F to 113°F (-40°C to 45°C) |
| | Base | EX39 |
| LISTINGS | Certifications | UL Listed; DLC; CE; FCC |
| | Material Usage | RoHS - No mercury or lead |
| | Environment | Dry Location Rated; Enclosed Fixture Rated |

PERFORMANCE SUMMARY

| Item # | Watts | Lumens | LPW | Voltage | Replaces | CCT | CRI | Beam | LED L70 Life Hours | DLC Level | DLC # |
|------------|-------|--------|-----|----------|----------|-------|-----|------|--------------------|--------------|----------|
| PLTS-12075 | 200 | 27,400 | 137 | 120-277V | MH400 | 5000K | >80 | 120° | ≥100,000 | 5.1 Standard | PLTBH414 |

DIMENSIONS

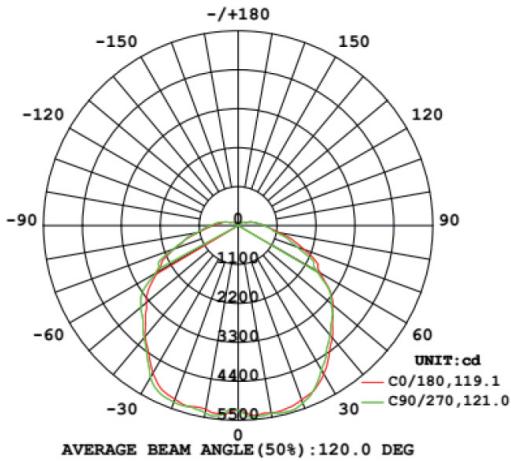


DIMENSIONS

Height: 8.92"

Width: 8.9"

PHOTOMETRICS



WARNINGS

- This lamp is not intended for use with emergency exits.
- This lamp is not intended for use with dimmers or remote controls.
- This lamp is suitable for fully enclosed luminaires with minimum lamp compartment dimensions of: 11.81" (L) x 11.81" (W) x 9.69" (H)