



# COLOR SELECTABLE 3" LED GIMBAL DOWNLIGHT FIXTURE

## WARNING, CAUTION, SAFETY AND INSTALLATION INSTRUCTIONS

### WARNING

- Installation, service, and maintenance of luminaires should be performed by a qualified licensed electrician.
- Read all instructions before installing fixtures and retain for future reference.

### CAUTION

- Fixture must be wired in accordance to local electrical codes and ordinances.

## Installation Instructions

### Pre-Installation

1. Turn power OFF from the electrical panel before starting installation or maintenance.
2. Find a suitable place for the fixture to spread its contents out.
3. Cut a hole (see Hole Cut Size section).
4. Run electrical wire from the switch (power supply) through the mounting hole.

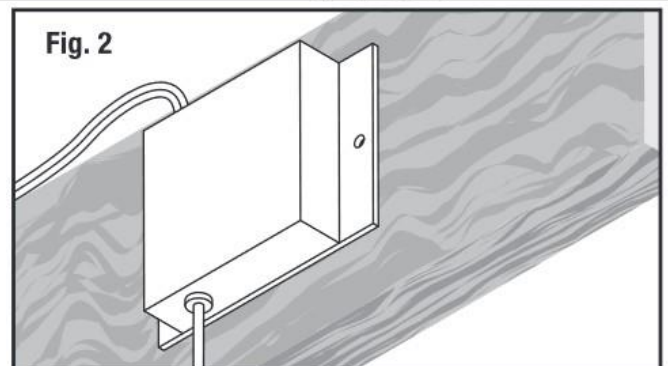
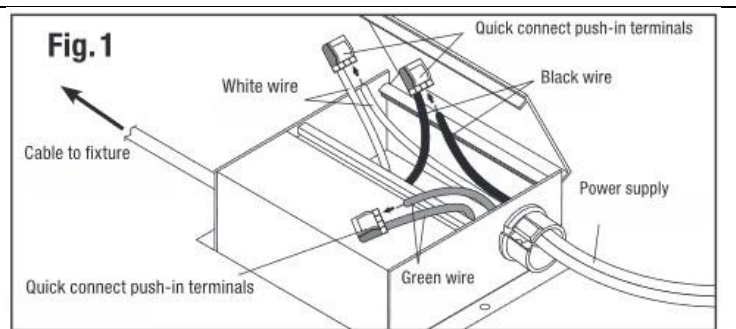
### Hole Cut Size

Downlight	Cut Size
3" Round	Ø2-7/8"

### Driver Wiring

1. Open the junction box cover and remove the appropriate knockout(s).
2. Thread the electrical supply cable through the knockout and secure with a cable connector (sold separately).
3. Using wire nuts, connect the green ground wire of power to the green wire in the junction box, connect the black wire of power to the black wire of the junction box, and white wire of power to the white wire of the junction box (Fig. 1).
4. Push all wiring and connections back into the box and close the cover.
5. Thread junction box through the mounting hole.
6. New construction applications: Requires the junction box to be firmly secured to studs, joists, or similar fixture structural units (Fig. 2)

Remodel applications: Does not require junction box to be secured.



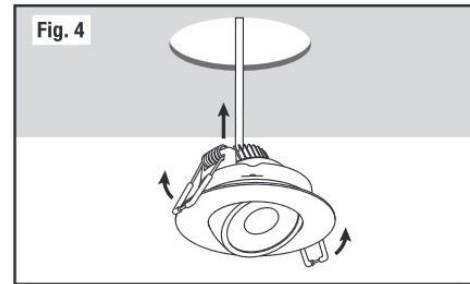
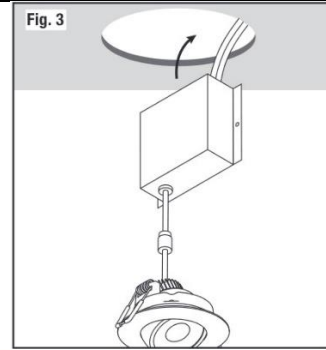


# COLOR SELECTABLE 3" LED GIMBAL DOWNLIGHT FIXTURE

## WARNING, CAUTION, SAFETY AND INSTALLATION INSTRUCTIONS

### Fixture Installation

1. Connect the fixture to the junction box by inserting and twisting the male/female connectors (Fig. 3)
2. Push spring loaded clips on the fixture upwards and insert the fixture base into the mounting hole. Release the clips and fixture will be flush to the ceiling (fig. 4)
3. Once assembly is complete, turn on power.



### Compatible Dimmers

Brand	Model	Load	Dimmability
LUTRON	AYCL-153P	150w	10%-100%
	DV-600PR	600W	1%-100%
	DVCL-153P	150W	10%-100%
	MACL-153MH	600W	10%-100%
	MRF2-6CL	600W	10%-100%
	D-600P	600W	10%-100%
	NTELV-300P	600W	10%-100%
	S-600P	600W	10%-100%
	CT-600P	600W	1%-100%
	CTCL-153P	600W	10%-100%
	TG-600P	600W	10%-100%
	TCCL-153P	600W	1%-100%
LEVITON	6633	600W	20%-100%
	6674	700W	20%-100%
	6602	700W	10%-100%
	IPL06	1000W	1%-100%
LEGRAND	ADTP703TU	300W	20%-100%



**COLOR SELECTABLE 3” LED GIMBAL DOWNLIGHT FIXTURE**  
**WARNING, CAUTION, SAFETY AND INSTALLATION INSTRUCTIONS**

	H703PTW	150w	10%-100%
COOPER	9540	600W	10%-100%
	DAL06P	150W	10%-100%

**⚠ WARNING**

- Before installing, servicing, or performing routine maintenance upon this equipment, follow these general precautions.
- To reduce the risk of death, personal injury, or property damage from fire, electric shock, falling parts, cuts/abrasions, and other hazards, read all warnings and instructions included with and on the fixture box and all fixture labels.
- Proper grounding is required to ensure safety.
- Power must be turned off at the breaker before installation or maintenance.
- This product must be installed in accordance with the applicable installation code by a person familiar with the construction and operation of the product and the hazards involved.
- Wear gloves and eye protection at all times while installing, servicing, or performing maintenance on the luminaire, and avoid direct eye exposure to the light source while it is on.
- To prevent wiring damage or abrasion, do not expose wiring to edges of sheet metal or other sharp objects.
- Do not install damaged product. Inspect luminaire for damage that may have occurred during transit. If damaged, contact the manufacturer immediately.
- These instructions do not purport to cover all details or variations in equipment nor to provide every possible contingency to meet in connection with installation, operation, or maintenance. Should further information be desired or should particular problems arise which are not covered sufficiently for the purchaser’s or owner’s purposes, contact the manufacturer.

**⚠ ADVERTENCIA**

- Antes de instalar, reparar o realizar el mantenimiento de rutina de este equipo, siga estas precauciones generales.
- Para reducir el riesgo de muerte, lesiones personales o daños a la propiedad por fuego, descarga eléctrica, caída de piezas, cortes / abrasiones y otros peligros, lea todas las advertencias y instrucciones incluidas con y en la caja del dispositivo y todas las etiquetas del dispositivo.
- Se requiere una conexión a tierra adecuada para garantizar la seguridad.
- Se debe apagar la energía en el disyuntor antes de la instalación o el mantenimiento.
- Este producto debe ser instalado de acuerdo con el código de instalación aplicable por una persona familiarizada con la construcción y operación del producto y los peligros involucrados.
- Utilice guantes y protección para los ojos en todo momento durante la instalación, el servicio o el mantenimiento de la luminaria, y evite la exposición directa de los ojos a la fuente de luz mientras está encendida.
- Para evitar daños o abrasiones en el cableado, no exponga el cableado a bordes de láminas de metal u otros objetos afilados.
- No instale un producto dañado. Inspeccione la luminaria en busca de daños que puedan haber ocurrido durante el tránsito. Si está dañado, comuníquese con el fabricante de inmediato.



## COLOR SELECTABLE 3" LED GIMBAL DOWNLIGHT FIXTURE

### WARNING, CAUTION, SAFETY AND INSTALLATION INSTRUCTIONS

- Estas instrucciones no pretenden cubrir todos los detalles o variaciones en el equipo ni proporcionar todas las posibles contingencias a cumplir en relación con la instalación, operación o mantenimiento. Si desea obtener más información o si surgen problemas particulares que no están suficientemente cubiertos para los propósitos del comprador o propietario, comuníquese con el fabricante.