



## COLOR SELECTABLE ULTRA-THIN LED DOWNLIGHT

### WARNING, CAUTION, SAFETY, AND INSTALLATION INSTRUCTIONS

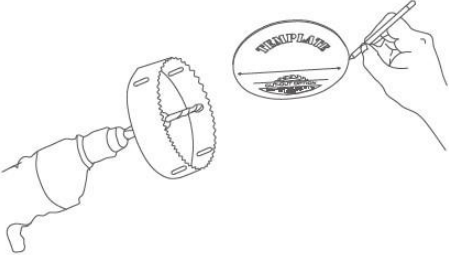
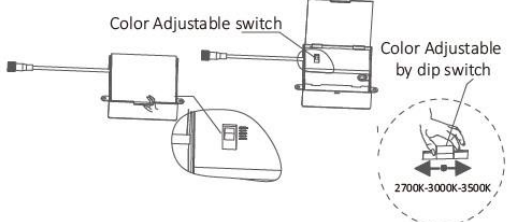
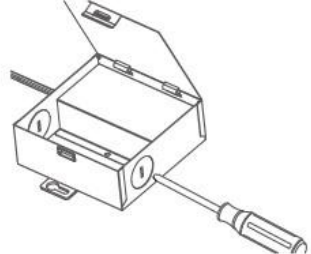
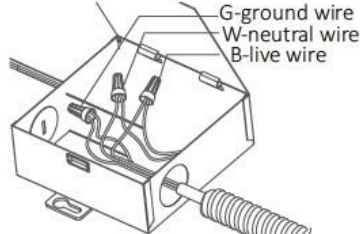
#### WARNING

- Installation, service, and maintenance of luminaires should be performed by a qualified licensed electrician.

#### CAUTION

- Confirm the applicable power supply.
- Preliminarily estimate the required quantity of LED fixtures. Divide the power rating (0.9) by the fixture wattage and multiply by the number of fixtures to figure out the total power and design power plan.
- Contact the manufacturer if the wire or cable is damaged. Do not attempt to repair it on your own.

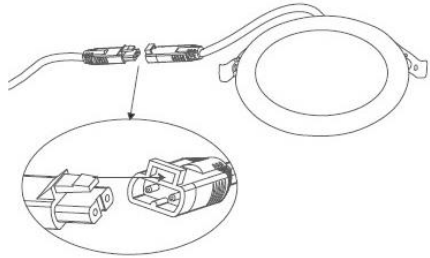
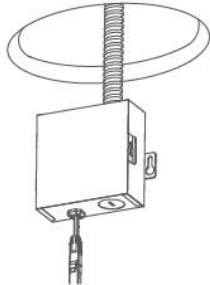
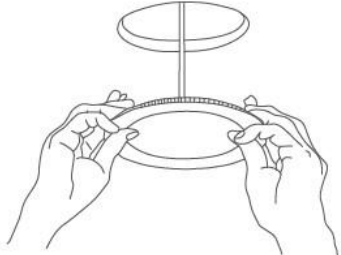
#### Installation Instructions

<p>1. Turn off the main power circuit.</p> <p>Using the template provided, cut a hole in the desired position of the ceiling.</p>	
<p>2. Slide the dip switch to the desired color temperature at the driver box.</p>	
<p>3. Remove the knockout(s) on the side(s) of the junction box.</p> <p>Run the electrical wire from the power source through the knockout(s).</p>	
<p>4. Connect the supply wires to the driver's wires using the wire nuts (provided).</p> <p>Push the wires inside the junction box and close the box.</p>	



## COLOR SELECTABLE ULTRA-THIN LED DOWNLIGHT

### WARNING, CAUTION, SAFETY, AND INSTALLATION INSTRUCTIONS

<p>5. Connect the junction box to the fixture and tighten the connectors by hand. The slot on the male/female connectors need to align.</p>	
<p>6. Insert the junction box through the hole in the ceiling.</p>	
<p>7. Push the spring clips and insert the fixture into the hole in the ceiling.</p> <p>Turn on the power.</p>	

## Features

- Slim 1/2-inch-deep body.
- The double-sided frosted lens provides more uniform light.
- The frame is ACD 12 for better cooling; low-power large LEDs are ideal in low temperatures.
- The powder coated back plate and optical light chamber prevent light-leaking.
- The driver is designed with high efficiency PF (PF>0.9) and is dimmable with most dimmers. Dimming range from 10% to 100%.

## Specifications

Model	CCT	Luminous flux (±10%)	Power (W)	Cutout size	Beam angle	Input voltage	LED type	CRI	IP	PF
PLT-20273	5 CCT adjustable	390-410	7W	3-3/4inch	110°	90-130VAC	2835	>90	IP44	>0.9
PLT-20274		980-1080	12W	6-3/8inch						



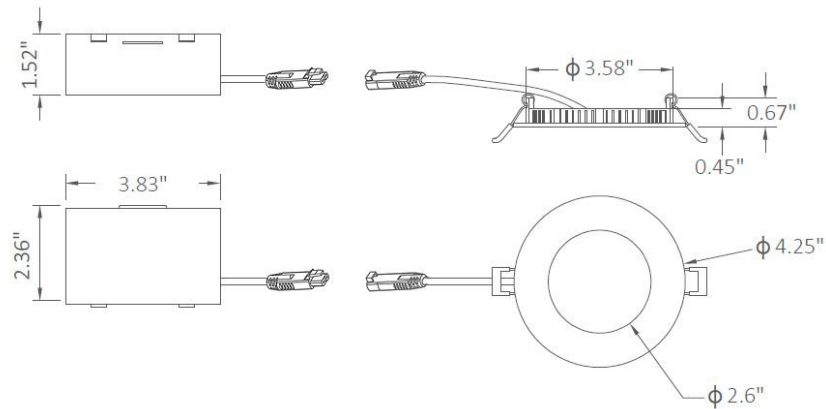
## COLOR SELECTABLE ULTRA-THIN LED DOWNLIGHT

WARNING, CAUTION, SAFETY, AND INSTALLATION INSTRUCTIONS

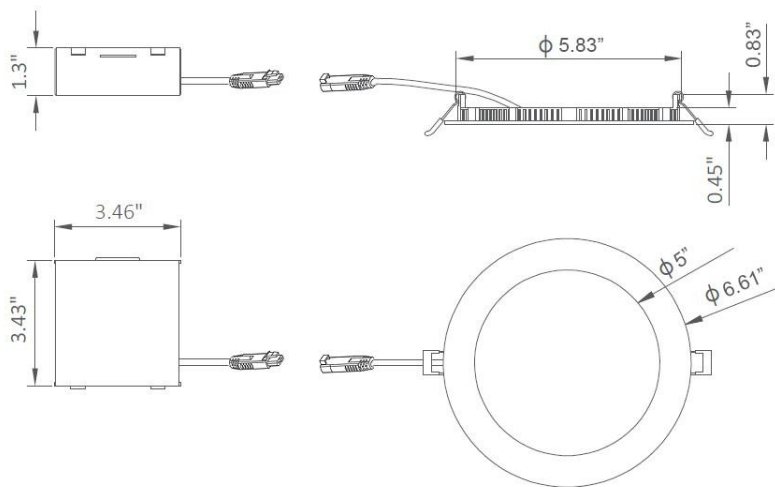
### Dimensions

(unit: inch)

#### Round 3 inch



#### Round 6 inch



### ⚠ WARNING

- Before installing, servicing, or performing routine maintenance upon this equipment, follow these general precautions.
- To reduce the risk of death, personal injury, or property damage from fire, electric shock, falling parts, cuts/abrasions, and other hazards, read all warnings and instructions included with and on the fixture box and all fixture labels.
- Proper grounding is required to ensure safety.
- Power must be turned off at the breaker before installation or maintenance.
- This product must be installed in accordance with the applicable installation code by a person familiar with the construction and operation of the product and the hazards involved.
- Wear gloves and eye protection at all times while installing, servicing, or performing maintenance on the luminaire, and avoid direct eye exposure to the light source while it is on.
- To prevent wiring damage or abrasion, do not expose wiring to edges of sheet metal or other sharp objects.



## COLOR SELECTABLE ULTRA-THIN LED DOWNLIGHT

### WARNING, CAUTION, SAFETY, AND INSTALLATION INSTRUCTIONS

- Do not install damaged product. Inspect luminaire for damage that may have occurred during transit. If damaged, contact the manufacturer immediately.
- These instructions do not purport to cover all details or variations in equipment nor to provide every possible contingency to meet in connection with installation, operation, or maintenance. Should further information be desired or should particular problems arise which are not covered sufficiently for the purchaser's or owner's purposes, contact the manufacturer.

### **⚠ ADVERTENCIA**

- Antes de instalar, reparar o realizar el mantenimiento de rutina de este equipo, siga estas precauciones generales.
- Para reducir el riesgo de muerte, lesiones personales o daños a la propiedad por fuego, descarga eléctrica, caída de piezas, cortes / abrasiones y otros peligros, lea todas las advertencias y instrucciones incluidas con y en la caja del dispositivo y todas las etiquetas del dispositivo.
- Se requiere una conexión a tierra adecuada para garantizar la seguridad.
- Se debe apagar la energía en el disyuntor antes de la instalación o el mantenimiento.
- Este producto debe ser instalado de acuerdo con el código de instalación aplicable por una persona familiarizada con la construcción y operación del producto y los peligros involucrados.
- Utilice guantes y protección para los ojos en todo momento durante la instalación, el servicio o el mantenimiento de la luminaria, y evite la exposición directa de los ojos a la fuente de luz mientras está encendida.
- Para evitar daños o abrasiones en el cableado, no exponga el cableado a bordes de láminas de metal u otros objetos afilados.
- No instale un producto dañado. Inspeccione la luminaria en busca de daños que puedan haber ocurrido durante el tránsito. Si está dañado, comuníquese con el fabricante de inmediato.
- Estas instrucciones no pretenden cubrir todos los detalles o variaciones en el equipo ni proporcionar todas las posibles contingencias a cumplir en relación con la instalación, operación o mantenimiento. Si desea obtener más información o si surgen problemas particulares que no están suficientemente cubiertos para los propósitos del comprador o propietario, comuníquese con el fabricante.