



### WARNING

- Installation, service, and maintenance of luminaries should be performed by a qualified licensed electrician.
- Carefully read and keep this instruction sheet for future reference.
- Before attempting installation of any recessed lighting fixture, check your local electrical building code. This code sets the wiring standards and installation requirements for your locality and should be understood before starting work.

### NOTICE

- These recessed step lights are designed to meet the latest NEC requirements and listed in full compliance with ETL 1598.
- This fixture is designed for installation in indoor wall mount applications and is rated for direct contact with insulating materials. This fixture may also be used in non-insulated walls.
- These step lights are designed to mount in standard J-Boxes: 2" x 4" (2-1/8" minimum depth) or 4" x 4" (1 1/2" minimum depth) that are fitted with a single-gang plaster ring (5/8" minimum depth). J-Boxes and plaster ring are not provided.

## Installation Instructions

### Wall Preparation

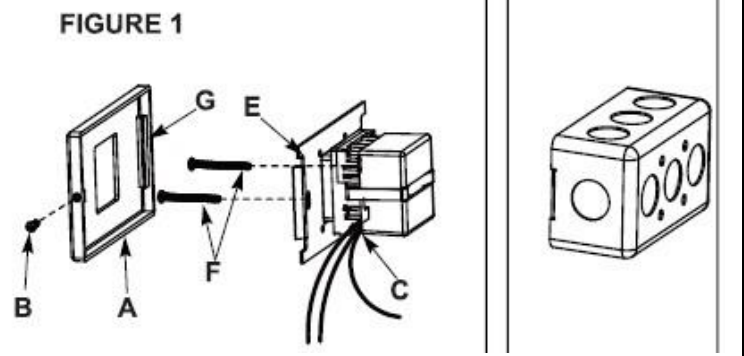
- The finished wall cut out cannot be more than 1/8" larger on any side of the J-Box (2" x 4") or single-gang plaster ring. If the cut out is greater than that, patch the wall around the J-Box (2" x 4") or single-gang plaster ring until it meets the requirement above.
- The front edge of the 2" x 4" J-Box or single-gang plaster ring when used with 4" x 4" J-Box should be mounted 1/16" behind the finished wall surface.

### Fixture Installation – Vertical Orientation (Figures 1 & 2)

Step 1. Separate the faceplate (A) from rest of assembly by loosening the set screw #4040 (B) located on the short (bottom) edge of the faceplate with the Allen wrench provided. This fixture is ready to be installed in a vertical orientation. The ground wire (C) is located on the bottom of the fixture.

Step 2. Provide electrical service to the wiring box according to your local electrical code. Supply wire insulation must be rated for at least 75°C.

Connect supply wires to fixture wires with proper size wire nuts (not supplied), so as to cover all bare current-carrying conductors. Connect the black fixture wire to hot, the white to neutral and



the green or bare fixture wire to ground.

Push all wiring and connections back in the wiring box. Make sure that supply wires are not pinched or otherwise damaged.

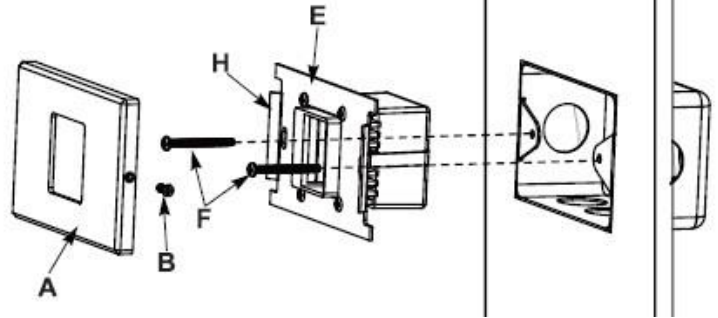
**Step 3.** Mount the backplate assembly (E) to the J-box with the two 6-32 x1" screws (F) supplied.

**Step 4.** Hook the faceplate (A) onto the backplate assembly (E) by first sliding the upper catch (G) located at the top of the faceplate, over the upper tab (H) of the backplate assembly. Press the faceplate downward onto the backplate until it is firmly seated on the upper tab.

**Step 5.** Push the lower portion of the faceplate (A) toward the wall making sure the set screw (B) clears the bottom tab.

**Step 6.** Tighten the set screw #4-40 (B) (2 set screws for hood) with the Allen wrench provided.

**FIGURE 2**



### Fixture Installation – Horizontal Orientation (Figure 3 & 4)

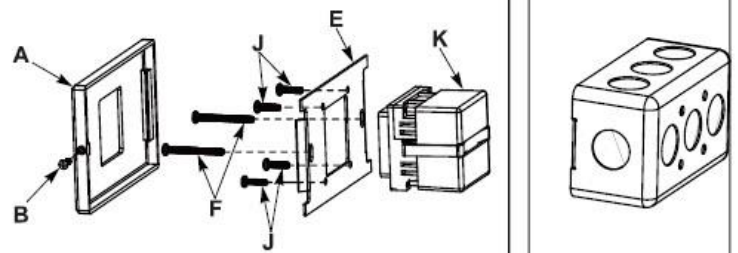
**Step 1.** Separate the faceplate (A) from rest of the assembly by loosening the set screw #4-40 (B) located on the short edge of the faceplate with the Allen wrench provided.

**Step 2.** Remove (4) screws (J) and separate backplate (E) from light engine assembly (K).

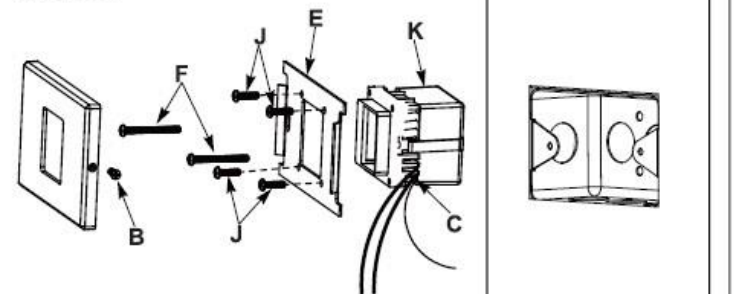
**Step 3.** Position backplate horizontally.

**Step 4.** Reinstall backplate (E) to light engine assembly (K) with (4) screws (J). The ground screw (C) at the heatsink must still be at the bottom of the fixture.

**FIGURE 3**



**FIGURE 4**





#### **⚠ WARNING**

- Before installing, servicing, or performing routine maintenance upon this equipment, follow these general precautions.
- To reduce the risk of death, personal injury, or property damage from fire, electric shock, falling parts, cuts/abrasions, and other hazards, read all warnings and instructions included with and on the fixture box and all fixture labels.
- Proper grounding is required to ensure safety.
- Power must be turned off at the breaker before installation or maintenance.
- This product must be installed in accordance with the applicable installation code by a person familiar with the construction and operation of the product and the hazards involved.
- Wear gloves and eye protection at all times while installing, servicing, or performing maintenance on the luminaire, and avoid direct eye exposure to the light source while it is on.
- To prevent wiring damage or abrasion, do not expose wiring to edges of sheet metal or other sharp objects.
- Do not install damaged product. Inspect luminaire for damage that may have occurred during transit. If damaged, contact the manufacturer immediately.
- These instructions do not purport to cover all details or variations in equipment nor to provide every possible contingency to meet in connection with installation, operation, or maintenance. Should further information be desired or should particular problems arise which are not covered sufficiently for the purchaser's or owner's purposes, contact the manufacturer.

#### **⚠ ADVERTENCIA**

- Antes de instalar, reparar o realizar el mantenimiento de rutina de este equipo, siga estas precauciones generales.
- Para reducir el riesgo de muerte, lesiones personales o daños a la propiedad por fuego, descarga eléctrica, caída de piezas, cortes / abrasiones y otros peligros, lea todas las advertencias y instrucciones incluidas con y en la caja del dispositivo y todas las etiquetas del dispositivo.
- Se requiere una conexión a tierra adecuada para garantizar la seguridad.
- Se debe apagar la energía en el disyuntor antes de la instalación o el mantenimiento.
- Este producto debe ser instalado de acuerdo con el código de instalación aplicable por una persona familiarizada con la construcción y operación del producto y los peligros involucrados.
- Utilice guantes y protección para los ojos en todo momento durante la instalación, el servicio o el mantenimiento de la luminaria, y evite la exposición directa de los ojos a la fuente de luz mientras está encendida.
- Para evitar daños o abrasiones en el cableado, no exponga el cableado a bordes de láminas de metal u otros objetos afilados.
- No instale un producto dañado. Inspeccione la luminaria en busca de daños que puedan haber ocurrido durante el tránsito. Si está dañado, comuníquese con el fabricante de inmediato.
- Estas instrucciones no pretenden cubrir todos los detalles o variaciones en el equipo ni proporcionar todas las posibles contingencias a cumplir en relación con la instalación, operación o mantenimiento. Si desea obtener más información o si surgen problemas particulares que no están suficientemente cubiertos para los propósitos del comprador o propietario, comuníquese con el fabricante.