



WARNING

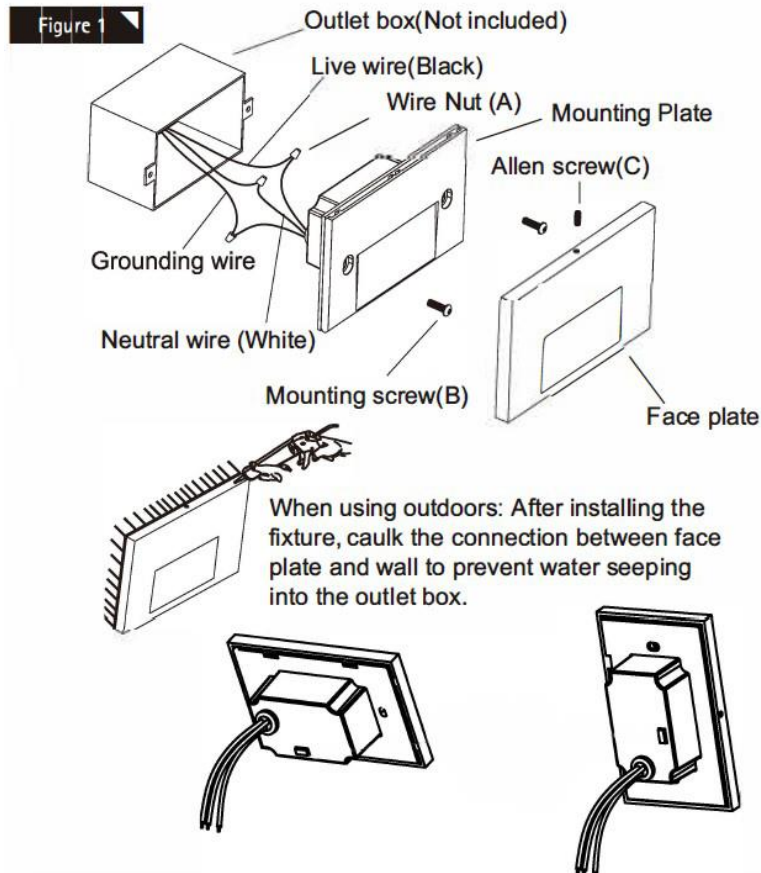
- Installation, service, and maintenance of luminaries should be performed by a qualified licensed electrician.
- Carefully read and keep this instruction sheet for future reference.
- This integrated LED fixture has no lamp/bulb to replace.

CAUTION

- Min 90°C supply conductors.
- Properly ground electrical enclosure.
- Do not reverse the hot and neutral connections.

Installation Instructions

- Connect the white wire of the fixture to the white wire from the outlet box and the black wire of the fixture to the black wire from the outlet box using wire nuts (A). Loosen the green screw in the mounting plate and secure green ground wire to that screw.
- When the wires are connected, push them carefully inside the outlet box and attach the mounting plate to the outlet box.
- Make sure the mounting plate is at the same height as the wall. Assemble the face plate onto the mounting plate and tighten the Allen nut using an Allen wrench (D).
- Turn on power.









Troubleshooting

- Check that the voltage coming into the fixture is correct.
- Ensure that there is voltage at lamp wires. If there is no voltage, then check all connections.
- Check that the fixture is grounded properly.
- Check switch to ensure there are no defects.
- Check fuse/circuit breaker, then check wiring connections.

Hardware Contents

A	B	C	D
Wire nut x3	Mounting screw x2	Allen screw x1	Allen wrench x1
			

Cleaning and Maintenance

- Clean lens and fixture with non-abrasive cleaning solution.
- Do not open fixture to clean LED. Do not touch the LED.
- Do not spray liquid directly onto the LED, LED driver, or wiring.

FCC Warning

- This device complies with Part 15 of the FCC Rules.
- Operation is subject to the following two conditions: (1) this device may not cause harmful interference, and (2) this device must accept any interference received, including interference that may cause undesired operation.

⚠ WARNING

- Before installing, servicing, or performing routine maintenance upon this equipment, follow these general precautions.
- To reduce the risk of death, personal injury, or property damage from fire, electric shock, falling parts, cuts/abrasions, and other hazards, read all warnings and instructions included with and on the fixture box and all fixture labels.
- Proper grounding is required to ensure safety.
- Power must be turned off at the breaker before installation or maintenance.
- This product must be installed in accordance with the applicable installation code by a person familiar with the construction and operation of the product and the hazards involved.
- Wear gloves and eye protection at all times while installing, servicing, or performing maintenance on the luminaire, and avoid direct eye exposure to the light source while it is on.
- To prevent wiring damage or abrasion, do not expose wiring to edges of sheet metal or other sharp objects.



- Do not install damaged product. Inspect luminaire for damage that may have occurred during transit. If damaged, contact the manufacturer immediately.
- These instructions do not purport to cover all details or variations in equipment nor to provide every possible contingency to meet in connection with installation, operation, or maintenance. Should further information be desired or should particular problems arise which are not covered sufficiently for the purchaser's or owner's purposes, contact the manufacturer.

⚠ ADVERTENCIA

- Antes de instalar, reparar o realizar el mantenimiento de rutina de este equipo, siga estas precauciones generales.
- Para reducir el riesgo de muerte, lesiones personales o daños a la propiedad por fuego, descarga eléctrica, caída de piezas, cortes / abrasiones y otros peligros, lea todas las advertencias y instrucciones incluidas con y en la caja del dispositivo y todas las etiquetas del dispositivo.
- Se requiere una conexión a tierra adecuada para garantizar la seguridad.
- Se debe apagar la energía en el disyuntor antes de la instalación o el mantenimiento.
- Este producto debe ser instalado de acuerdo con el código de instalación aplicable por una persona familiarizada con la construcción y operación del producto y los peligros involucrados.
- Utilice guantes y protección para los ojos en todo momento durante la instalación, el servicio o el mantenimiento de la luminaria, y evite la exposición directa de los ojos a la fuente de luz mientras está encendida.
- Para evitar daños o abrasiones en el cableado, no exponga el cableado a bordes de láminas de metal u otros objetos afilados.
- No instale un producto dañado. Inspeccione la luminaria en busca de daños que puedan haber ocurrido durante el tránsito. Si está dañado, comuníquese con el fabricante de inmediato.
- Estas instrucciones no pretenden cubrir todos los detalles o variaciones en el equipo ni proporcionar todas las posibles contingencias a cumplir en relación con la instalación, operación o mantenimiento. Si desea obtener más información o si surgen problemas particulares que no están suficientemente cubiertos para los propósitos del comprador o propietario, comuníquese con el fabricante.