

**DESCRIPTION**

Featuring a low-profile design, this 240W round LED high bay is a cost-effective solid state solution for high bay applications, providing a one-for-one replacement of 1000 Watt metal halide fixtures.

**FEATURES**

- Up to 145 LPW ultra-high efficiency delivers superior performance over older HID high bays
- Provided field-installed motion sensor allows fixture to turn on or off automatically depending on the amount of activity detected in area; see Motion Sensor Specifications for more information
- Optional remote control available to adjust motion sensor settings; see PLTS-12281 for more information
- 6' power cord standard for more installation flexibility
- Optional u-bracket available for surface mounting; see Mounting Accessories section for more information

**LISTINGS**

- IP65 Rated for dust and high pressure water ingress protection
- UL rated for damp locations
- DesignLights Consortium® 5.1 Premium - meets the requirements for the highest DLC qualification for efficacy and lumen maintenance; DLC PN - PLTSN1714121

**PERFORMANCE**

- CRI: ≥80
- CCT: 5000K
- Rated lifetime L70: 50,000 hours
- Philips Lumileds LEDs and Sosen driver

**THERMAL**

- -22°F to 122°F (-30C to 50°C) operating temperature

**ELECTRICAL**

- THD: <20%
- Power Factor: ≥0.9
- Input Voltage: 120-277V
- Surge Protection: 6kV

**INSTALLATION**

- Suspended mounting with included 12mm ring or surface mounting (u-bracket sold separately); see installation instructions for more information
- S/MH(C0/C180): 1.31
- S/MH(C90/C270): 1.30

**CONSTRUCTION**

- Slim, lightweight die-cast aluminum construction (7.94 lbs) allows for quick and easy installation
- White finish

project name	type
catalog number	
comments	voltage
approved by	date



**WARRANTY**

- 5 year limited warranty; see [pltsolutions.com](http://pltsolutions.com) for warranty details

**APPLICATIONS**

- Warehouses
- Manufacturing Plants
- Distribution Centers
- Grocery Stores
- Gymnasiums
- Indoor Recreational Facilities
- Cold Storage
- Big Box Retail
- Service Repair Centers

# PERFORMANCE SUMMARY

Item #	Model	Watts	Lumens	LPW	CCT	CRI	Voltage	Replaces	DLC #	DLC Rating
PLTS-12260	Linear	240	34,716	145	5000K	≥80	120-277V	MH1000	PLTSN1714121	5.1 Premium

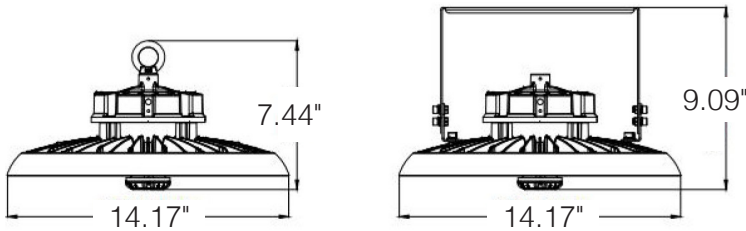
## MOTION SENSOR SPECIFICATIONS

Operating Voltage	12V DC
Operating Current	30mA
Stand-by Power	<0.5W
Microwave Frequency	5.8GHz±75MHz
Microwave Power	<0.5mW
Standby Power	<0.5 Watt
Dimming	0-10V
Mounting Height	161" Max.
Detection Range	161" Max.
Detection Angle	360°
Operating Temperature	-30°F to 140°F (-30°C to 60°C)
IP Rating	IP65
Default Setting	<ul style="list-style-type: none"> <li>Brightness: 100%</li> <li>Hold Time: 1 min</li> <li>Stand-by Dimming Level: 20%</li> <li>Stand-by Time: 1min</li> <li>Sensitivity: 100%</li> <li>Daylight: Disabled</li> </ul>
Brightness**	0%-10% Quick Setting: 70%, 80%, 90%, 100%
Sensitivity**	20%, 50%, 75%, 100%
Hold Time**	10s, 1min, 5min, 10min, 30min
Stand-by Time**	1 min, 30 min, 60 min, +∞*
Stand-by Dimming Level**	10%, 20%, 30%, 50%
Certification	UL

\*+∞ is unlimited stand-by time and the light control mode is the light control priority mode.

\*\* Adjustable only with remote, see PLTS-12281 for more information

## FIXTURE DIMENSIONS



## DIMENSIONS

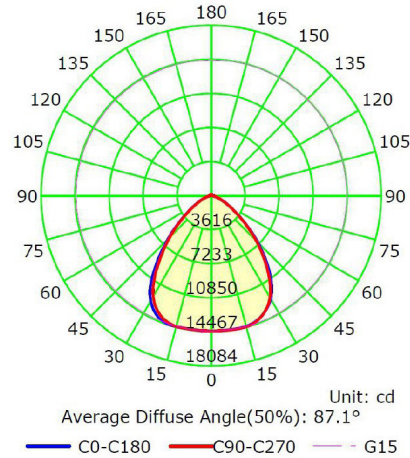
Height: 5.08"  
 Height with ring mount: 7.44"  
 Height with u-bracket: 9.09"  
 Diameter: 14.17"  
 Weight: 7.94 lbs  
 Ring Mount Thread Size: 12MM

## MOUNTING ACCESSORIES

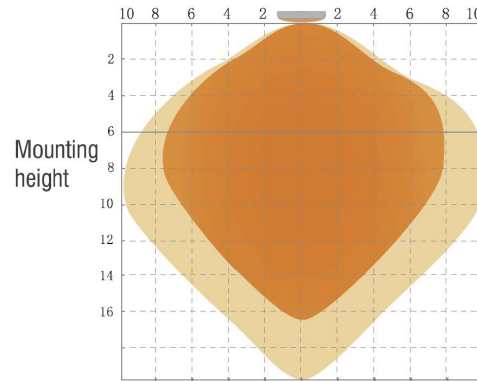
SKU	Description
PLTS-12283	Adjustable U-Bracket - White

## PHOTOMETRICS

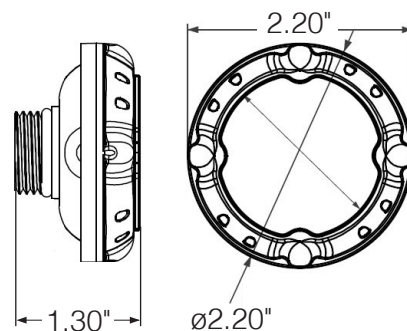
Luminous Intensity Distribution Curve



## MOTION SENSOR COVERAGE



## MOTION SENSOR DIMENSIONS



## DIMENSIONS

Height: 1.30"  
 Diameter: 2.20"