

**DESCRIPTION**

Add downlights as part of new construction or renovation projects with these easy to install ultra-thin LED downlights.

**FEATURES**

- Energy efficient replacement for 60W incandescents
- High color rendering index (CRI) of 90 makes color appear more naturally
- Comes with remote junction box that allows for installation around obstructions
- IC Rated and air-tight
- Dimmable; see Compatible Dimmer section for full list of dimmers

**LISTINGS**

- ETL Listed for damp locations
- IC Rated
- RoHS
- Energy Star

**PERFORMANCE**

- CRI: 90+
- CCT: 5000K
- Rated Lifetime L70: 50,000 hours

**ELECTRICAL**

- Power Factor: >0.9
- Input Voltage: 120V
- Surge Protection: 2.5kV

**THERMAL**

- -4°F to 104°F (-20°C to 40°C) operating temperature

**CONSTRUCTION**

- Aluminum body with aluminum trim, both with white finish
- White translucent acrylic lens

|                |         |
|----------------|---------|
| project name   | type    |
| catalog number |         |
| comments       | voltage |
| approved by    | date    |



**WARRANTY**

- 3 year limited warranty; see [pltsolutions.com](http://pltsolutions.com) for warranty details

**APPLICATIONS**

- Offices
- Lobbies
- Conference Rooms
- Living Rooms
- Hallways
- Bathrooms
- Laundry Rooms

|                     |                   |                           |
|---------------------|-------------------|---------------------------|
| <b>PERFORMANCE</b>  | Power Consumption | 9 Watt                    |
|                     | Lumens            | 600                       |
|                     | Efficacy (LPW)    | 67                        |
|                     | CRI               | 90+                       |
|                     | CCT               | 5000K                     |
|                     | Beam Angle        | 110°                      |
|                     | Life (L70)        | 50,000                    |
| <b>ELECTRICAL</b>   | Power Factor      | >0.9                      |
|                     | Input Voltage     | 120V                      |
| <b>CONSTRUCTION</b> | Finish            | White                     |
|                     | Lens              | Frosted                   |
| <b>LISTINGS</b>     | Certifications    | ETL Listed; Energy Star   |
|                     | Material Usage    | RoHS – No mercury or lead |
|                     | Environment       | Damp Location Rated       |

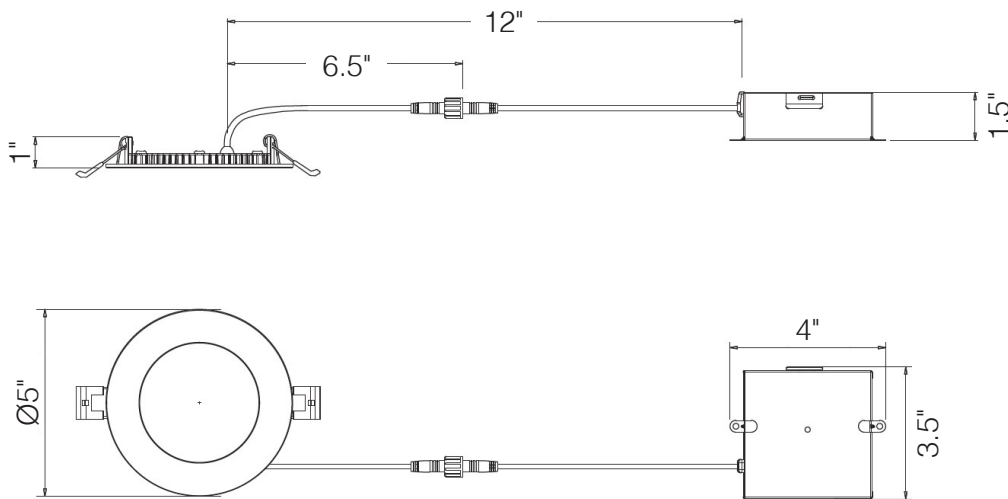
## PERFORMANCE SUMMARY

| Item #    | Size | Lumens | Wattage | LPW | Voltage | Replaces   | CCT   | CRI | Life/Hours | Dimmable |
|-----------|------|--------|---------|-----|---------|------------|-------|-----|------------|----------|
| PLT-12403 | 4"   | 600    | 9       | 67  | 120V    | 60W Incan. | 5000K | 90+ | 50,000     | Yes      |

## DIMMER COMPATIBILITY

| Brand   | Model #   |
|---------|-----------|
| Lutron  | PD-6WCL   |
| Lutron  | DVCL-153P |
| Lutron  | SFTU-5A3P |
| Lutron  | DMD-LE3-D |
| Lutron  | CTCL-153P |
| Lutron  | DV-600P   |
| Leviton | 6621      |
| Leviton | 6672      |
| Leviton | IPL06-10Z |
| Cooper  | SI06P     |

## DIMENSIONS



### **DIMENSIONS:**

- Outside Diameter: 5"
- Inside Diameter: 3.25"
- Height: 1"
- Cable Length (downlight half): 6.5"
- Weight: 0.6 lbs
- Junction Box Length: 3.5"
- Junction Box Width: 4"
- Junction Box Height: 1.5"
- Combined Cable Length: 12"

**CUT OUT: Ø 4.25"**

## WARNINGS

- Only use this LED downlight with the dimmers listed in the compatibility list. Using this downlight with incompatible dimmers may cause performance issues including humming, buzzing, flickering, and poor dimming performance.
- Cutout size requirements: 4" – 4.25"