



DESCRIPTION

Easily add downlights to your ceilings by installing these 4-inch and 6-inch color selectable LED surface mount downlights.

FEATURES

- Energy efficient replacement for 50 or 65W incandescents
- Medium (E26) base adapter for retrofit applications
- High color rendering index (CRI) of 90 makes color appear more naturally
- Light output varies depending on the color temperature selected; see Selectable Table for more information.
- Dimmable; see Compatible Dimmers section for full list of dimmers
- Installation hardware includes (2) torsion springs, (3) wire nuts, (2) mounting screws, (1) mounting bracket, and (2) spring holder screws.
- Color temperature can be adjusted via switch on top of fixture; see installation instructions for more information

LISTINGS

- ETL Listed for wet locations
- Energy Star
- Title24
- FCC

PERFORMANCE

- CRI: 90
- CCT: 2700K, 3000K, 3500K, 4000K, and 5000K
- LED L70 Life Hours @ 25°C: >50,000 hours

ELECTRICAL

- THD: <30%
- Power Factor: >0.9
- Input Voltage: 120V
- Surge Protection: 0.5kV

THERMAL

- -4°F to 104°F (-20°C to 40°C) operating temperature

INSTALLATION

- Designed for installation to standard j-boxes (mounting hardware included) or to recessed cans (hardware included); see installation instructions for more details

CONSTRUCTION

- Aluminum body with iron trim, both with white, black, or bronze finish
- Frosted polycarbonate lens

project name	type
catalog number	
comments	voltage
approved by	date



WARRANTY

- 5 year limited warranty; see pltsolutions.com for warranty details

APPLICATIONS

- Offices
- Lobbies
- Conference Rooms
- Living Rooms
- Hallways
- Bathrooms
- Laundry Rooms

PERFORMANCE	Power Consumption	10, 15 Watt
	CRI	90
	CCT*	2700K, 3000K, 3500K, 4000K, 5000K
	Beam Angle	110°
	LED L70 Life Hours @ 25°C	>50,000
ELECTRICAL	Power Factor	>0.9
	Input Voltage	120V
CONSTRUCTION	Base	E26
	Finish	White, Black, Bronze
	Lens	Frosted
LISTINGS	Certifications	ETL Listed, FCC
	Environment	Wet Location Rated

* See Selectable Table for full breakdown

PERFORMANCE SUMMARY

Item #	UPC	Size	Wattage*	CCT*	Voltage	Replaces	CRI	LED L70 Life Hours	Dimmable	Finish	Energy Star
PLT-20277	842821120839	6"	15	2700K/ 3000K/ 3500K/ 4000K/ 5000K	120V	65W Incan.	90	>50,000	Yes	Black	PLTSEDG653
PLT-20278	842821120846	4"	10	2700K/ 3000K/ 3500K/ 4000K/ 5000K	120V	50W Incan.	90	>50,000	Yes	Bronze	PLTSEFA653
PLT-20279	842821120853	6"	15	2700K/ 3000K/ 3500K/ 4000K/ 5000K	120V	65W Incan.	90	>50,000	Yes	Bronze	PLTSEDF653
PLT-20280	842821120860	4"	10	2700K/ 3000K/ 3500K/ 4000K/ 5000K	120V	50W Incan.	90	>50,000	Yes	White	PLTSEFH653
PLT-20281	842821120877	6"	15	2700K/ 3000K/ 3500K/ 4000K/ 5000K	120V	65W Incan.	90	>50,000	Yes	White	PLTSEDE653

* See Selectable Table for full breakdown

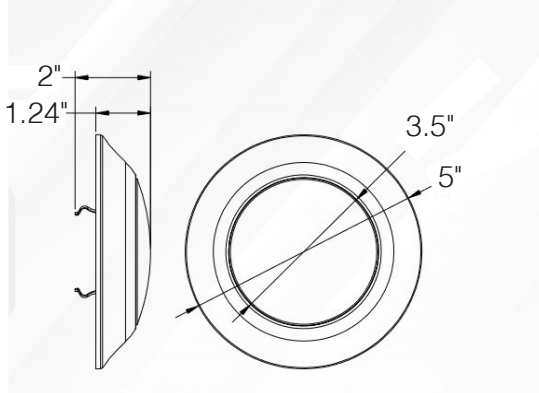
SELECTABLE TABLE

Wattage	CCT	Lumens	Efficacy
10	2700K	600	60
	3000K	620	62
	3500K	660	66
	4000K	660	66
	5000K	630	63
15	2700K	900	60
	3000K	910	61
	3500K	1000	67
	4000K	1000	67
	5000K	950	63

DIMMER COMPATIBILITY

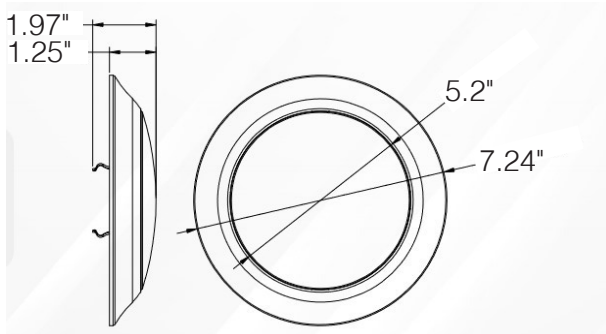
Brand	Model
Lutron	SCL-153P
Lutron	CTCL-153P
Lutron	DVCL-153P
Lutron	MACL-153M

DIMENSIONS



4" DIMENSIONS:

- Outside Diameter – 5"
- Inside Diameter – 3.5"
- Height – 1.24"
- Height (including clips) – 2"
- Weight – 0.43 lbs



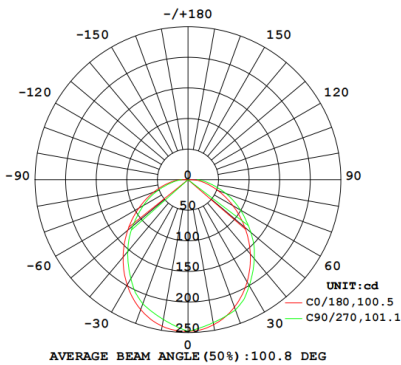
6" DIMENSIONS:

- Outside Diameter – 7.24"
- Inside Diameter – 5.2"
- Height – 1.25"
- Height (including clips) – 1.97"
- Weight – 0.65 lbs

PHOTOMETRICS

4000K

LUMINOUS INTENSITY DISTRIBUTION DIAGRAM



WARNINGS

- Only use this LED downlight with the dimmers listed in the compatibility list. Using this downlight with incompatible dimmers may cause performance issues including humming, buzzing, flickering, and poor dimming performance.