

DESCRIPTION

Improve security lighting around your home or business by installing these efficient LED security light fixtures. Featuring built in photocells and PIR motions sensors, these fixtures come on automatically when motion is detected and operate from dusk till dawn.

FEATURES

- Efficiently replaces 50W metal halide fixtures
- Lamp heads can be adjusted up to 350° and arms can adjust up to 180°
- Light output varies depending on the color temperature selected; see Selectable Table for more information.
- Built in photocell allows for dusk to dawn operation
- Built-in PIR motion sensor allows light to come on automatically when motion is detected within a range of up to 32.8 feet, then turn off between 2 seconds up to 10 minutes after motion stops
- PIR motion sensor sensitivity and timing can be adjusted with the switches on the bottom of the sensor; see Installation Instructions for more information

LISTINGS

- ETL rated for wet locations
- Energy Star
- RoHS

PERFORMANCE

- CRI: ≥80
- CCT: 3000K, 4000K, and 5000K
- Beam Angle: 70°
- LED L70 Life Hours @ 25°C: >54,000 hours

THERMAL

- -4°F to 122°F (-20°C to 50°C) operating temperature

ELECTRICAL

- THD: ≤30%
- Power Factor: ≥0.9
- Input Voltage: 120-277V
- Surge Protection: 500V

INSTALLATION

- Designed for wall mounting with included hardware; see installation instructions for more details

CONSTRUCTION

- Aluminum housing with white or bronze finish
- Frosted PC lens helps diffuse light output and reduce glare

project name	type
catalog number	
comments	voltage
approved by	date



WARRANTY

- 5-year limited warranty; see pltsolutions.com for warranty details

APPLICATIONS

- Security Lighting
- Wall Lighting
- Outdoor Lighting

PERFORMANCE SUMMARY

Item #	UPC	Total Watts	Watts per Lamp Head	CCT*	CRI	Voltage	Replaces	Number of Heads	Surge Protection	Finish	Energy Star
PLT-20267	842821120730	20W	10W	3000K/ 4000K/ 5000K	≥80	120-277V	MH50	2	500V	White	PLTSAF1464
PLT-20268	842821120747	20W	10W	3000K/ 4000K/ 5000K	≥80	120-277V	MH50	2	500V	Bronze	PLTSAF2464

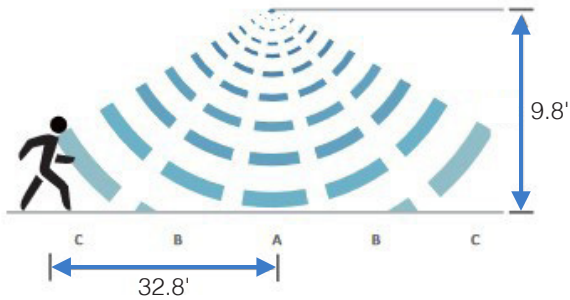
* See Selectable Table for full breakdown

SELECTABLE TABLE

Wattage	CCT	Lumen	LPW
20	3000K	1620	81
	4000K	1960	98
	5000K	1800	90

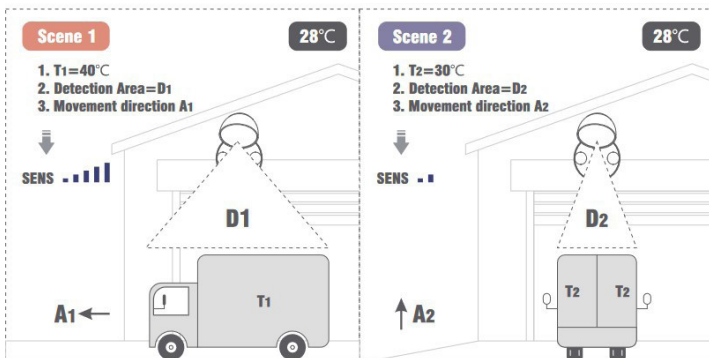
MOTION SENSOR

Working Voltage	100-277VAC
PIR Power	3.3VDC
Detection Angle	120°
Detection Range (Half Distance x Height)	16.4' x 9.8' (5m x 3m)
Detection Full Distance	32.8'

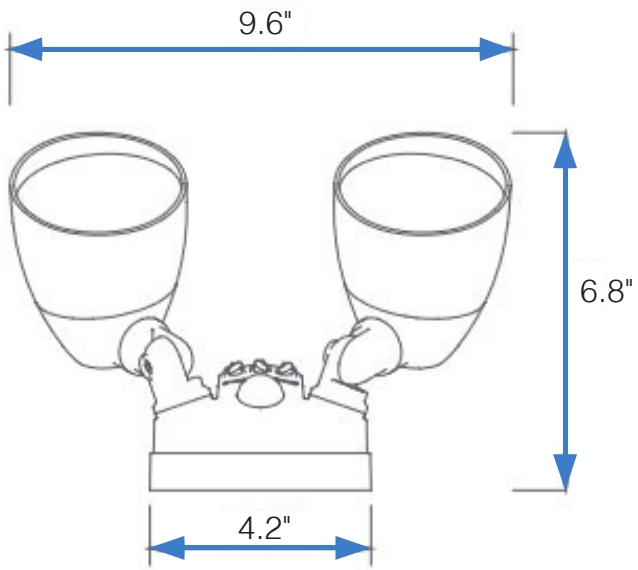


MOTION SENSOR SENSITIVITY FACTORS

- The greater the temperature difference between the sensor and ambient temperature, the higher the sensitivity.
- The greater the surface area of infrared radiation of the detected object, the higher the sensitivity.
- Objects moving tangentially across the sensor have greater sensitivity than objects moving directly toward the sensor.



DIMENSIONS



DIMENSIONS

Height: 6.8"

Width: 9.6"

Width (just base): 4.2"

Individual Head Width: 3.54"

Individual Head Length: 4.02"

Arm Length: 0.16"

Weight: 1 lb

PHOTOMETRICS

5000K

