

ALCR-D20

Emergency Lighting Automatic Load Control Relay



Specifiers reference:

Project: _____

Type: _____

Model #: _____

Comments: _____

Product Summary

- Approvals** UL Listed to UL924
- Normal Power Supply Voltage** 120-277 Vac
- Normal Power Supply Frequency** 50/60 Hz
- Normal Supply Current Usage** 24 mA (max)
- Emergency Power Supply Voltage** 120-277 Vac
- Emergency Power Supply Frequency** 50/60Hz
- Emergency Power Supply Usage** 120 mA
- Relay Contact Ratings (SPST)**
 - 16A Electronic Ballast @277 Vac
 - 20A Magnetic Ballast @277 Vac
 - 10A Tungsten @120 Vac
- 0- 10 Dimmer Vdc Override**for emergency full illumination
- Dimmer contact switching** 130 mA @250V max.
- Operation and Status Indicators**
- Remote Test Input** Class 2 Dry Contacts for Remote Test Switch or Fire Alarm Panel Contacts
- Optional Remote Test Switch*** ..TB-D1020 or RTS-ALCR-D520
- Weight** 0.75 lbs.
- Mounting** 0.50" Stud mounting
- Dimensions** 4.0" L x 4.0" W x 1.81" H
- Case** NEMA 1
- Operating Temperature** -30° to 140° F (-35° to 60° C)
- Warranty** 5 years full

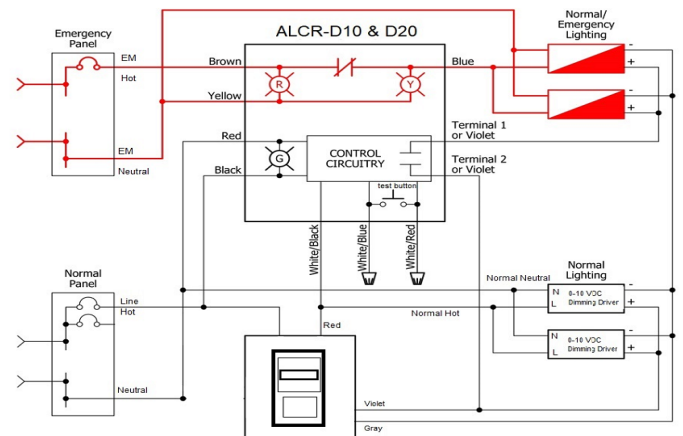
All Specifications subject to change without prior notification.
 * Optional Remote Test Switch Sold Separately

Description

The Assurance Emergency Lighting automatic load control/ bypass relay ALCR- D20 allows the use of auxiliary generators and inverters to turn on switched lighting fixtures in the event of a power failure or emergency situations.

Specifications

Emergency lighting shall be provided by using existing lighting loads equipped with an Assurance Emergency Lighting ALCR-D20 control device. The device shall be capable of serving as an Automatic Load Control Relay or bypass for the local switching means when normal utility power has been lost. The ALCR-D20 shall consist of relay switching circuitry, an integral test switch, a normal power indicator light and an alternate power indicator light contained in one 4.0"L x 4.0" W x 1.18"H NEMA 1 enclosure (0.50" mounting nipple); shall sense normal power at 120 through 277 VAC, 50/60 Hz; shall be rated to switch 120 through 277 VAC, 50/60 Hz at up to 16 amps (@277 VAC) for electronic drivers/ballast, 20 amps (@277 VAC) for magnetic ballast and 10 amps for tungsten (@120 VAC) lighting loads. It shall be compatible with 0-10 Vdc dimming drivers and allow for override for full illumination; shall draw 24 mA during normal sensing operation. The device shall have remote test inputs (dry contacts) for an alternate test switch or for fire alarm panel contact switching. It shall comply with current National Electrical Codes and be UL Listed (UL924) for field or factory installation in indoor or damp locations and shall be warranted for a full five years from date of purchase.



Typical Wiring