



GREENCREATIVE

Brilliant Performance

A track light offering with endless design possibilities





A tailored solution for each application

GREEN CREATIVE knows that good track lighting gives flexibility to lighting designers while remaining understated. That's why we have designed a track lighting family centered around meeting your needs. With field-adjustable lumen outputs, multiple mounting options, a variety of beam angles, and an extensive suite of accessories and lenses, you can be sure that your application is getting the focus it deserves. GREEN CREATIVE also offers its own track system for your new construction or remodel applications.



ORBIT
SERIES

ATOM
SERIES



ORBIT TRACK

Unparalleled Flexibility

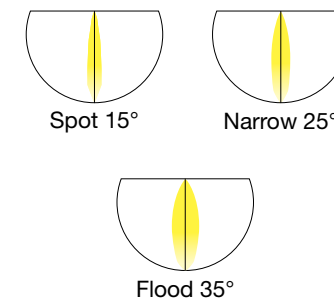
Compatibility with electrical systems, field-adjustable lumen output technology, and a vast assortment of optical distributions and accessories make the ORBIT a best-in-class track light.

Elegant Design

Available in three sizes with matte white, matte black, or matte silver finishes, the ORBIT integrates smoothly with any décor. This sleek and unobtrusive light lets customers and guests experience a space with no visual disturbance.



Canopy Mount



Flexible Installation

The ORBIT's H, J, and L track head adapters are compatible with most track systems. ETL-listed canopy mounts can be installed on ceilings, walls, or junction boxes, offering design adaptability and consistency.

Field-Selectable Output

Each ORBIT track light features our industry-leading SelectDrive technology. With the simple flip of a switch, operators can adjust the lighting layout of their commercial or residential space. This is the perfect solution for customers who want a variety of light levels and applications where dimming systems may not be present.

Multiple Beam Angles

Field interchangeable TIR optics provide three crisp beam angles, allowing for broader design choices. Choose from spot, narrow, or flood distributions to maximize lighting performance no matter the ceiling height or room size.



Full Accessory Suite

Because each application is different, the ORBIT family includes a variety of accessories. Use the wall wash, barn doors, and snoot in conjunction with diffuser lenses to soften, refocus, and control your lighting design. Use the Square lenses for highlighting specific painting or architectural details. Use the CCT shifting lenses for unparalleled warmer colors (2400K and 2200K), creating welcoming environments for your most ambitious project.



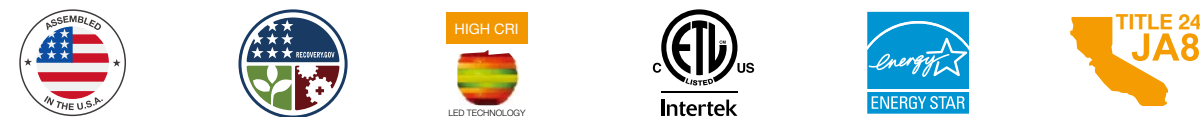
ATOM TRACK

Versatile and Compact

With multiple possibilities in color temperature, lumen output, beam angle, fixture color, and mounting, this track fixture can be tailored to any application.

Patented Design

The Atom Track's modular design makes it fully customizable, allowing you to easily make in-field upgrades to the light engine or lens. Snap-on accessories offer additional options, adding flexibility and variety to your lighting project.



Canopy Mount

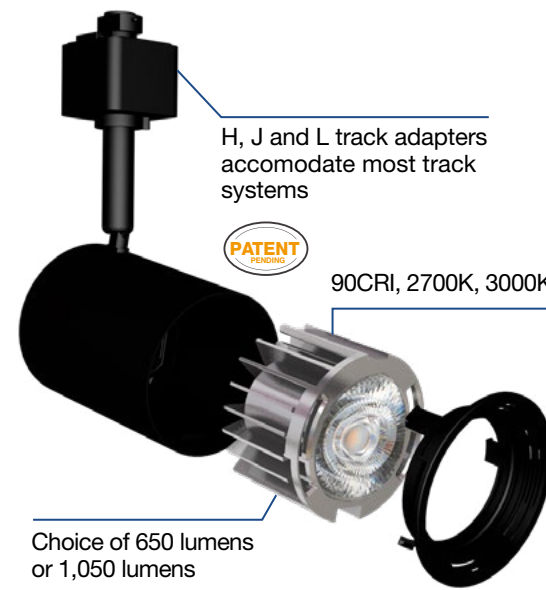
25° Narrow & 35° Flood beam angles



Matte white & matte black finishes match existing track systems



Track Mount



H, J and L track adapters accommodate most track systems

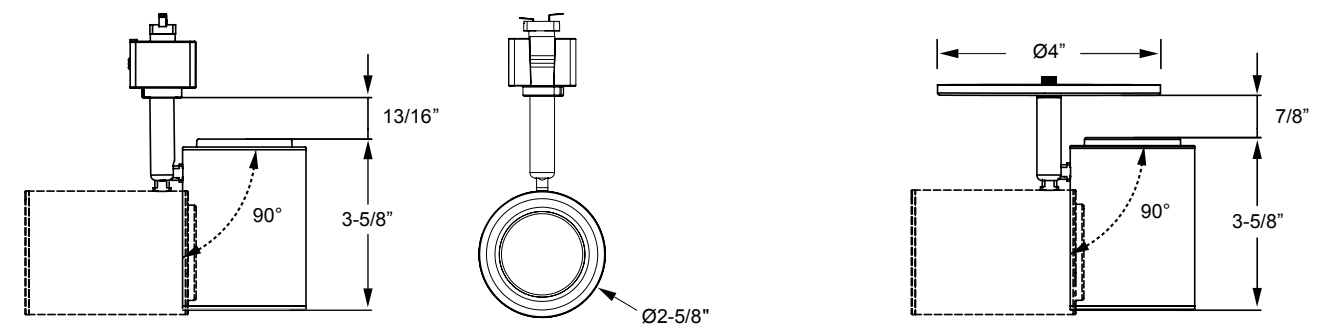


90CRI, 2700K, 3000K, 3500K, 4000K CCT

Choice of 650 lumens or 1,050 lumens



Easy to install snap-on accessories, including wall wash, snoot, honeycomb louver, color shift, CCT shift and square distribution lenses.

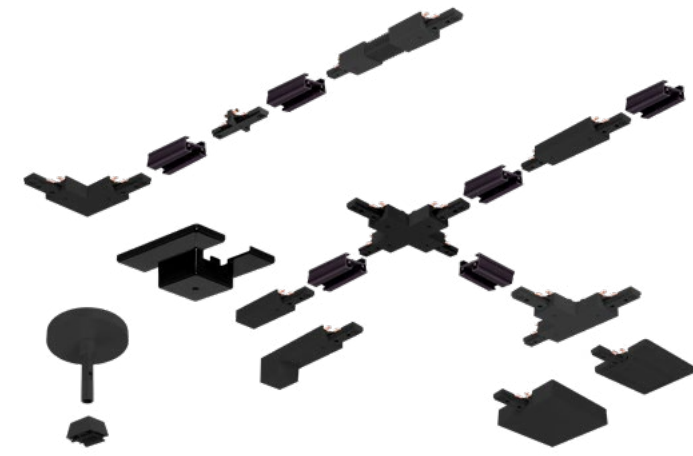




TRACK SYSTEM

GREEN CREATIVE Track System



GREEN CREATIVE provides the possibility of designing or completely remodeling your space with a comprehensive track system offering and its suite of mounting accessories, to give life to your most audacious design concepts. Whether you need to suspend your light, provide special geometrical layouts, surface mount or even curved designs, we have a solution to complement your space.

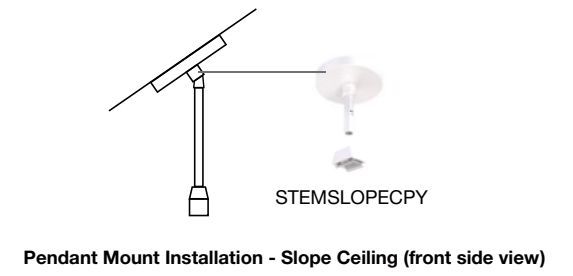
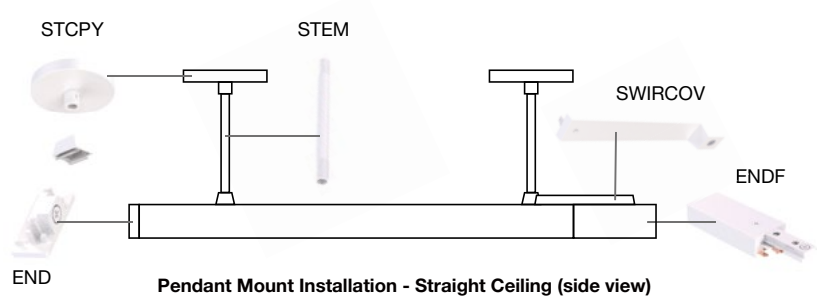
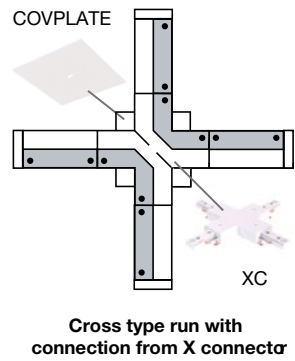
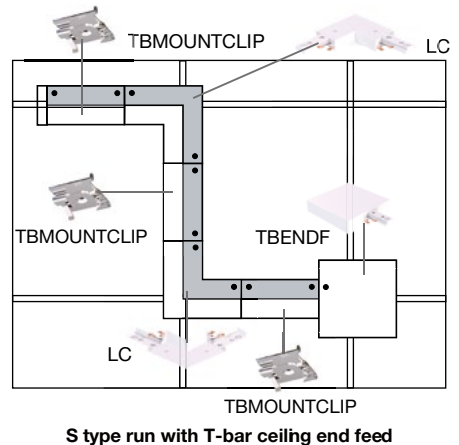
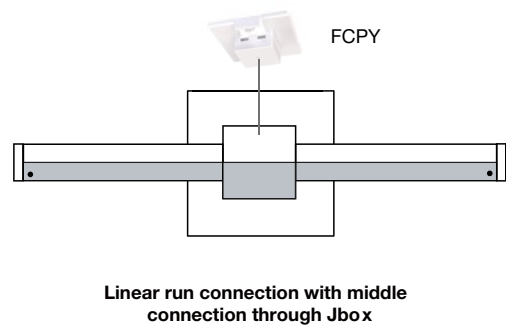
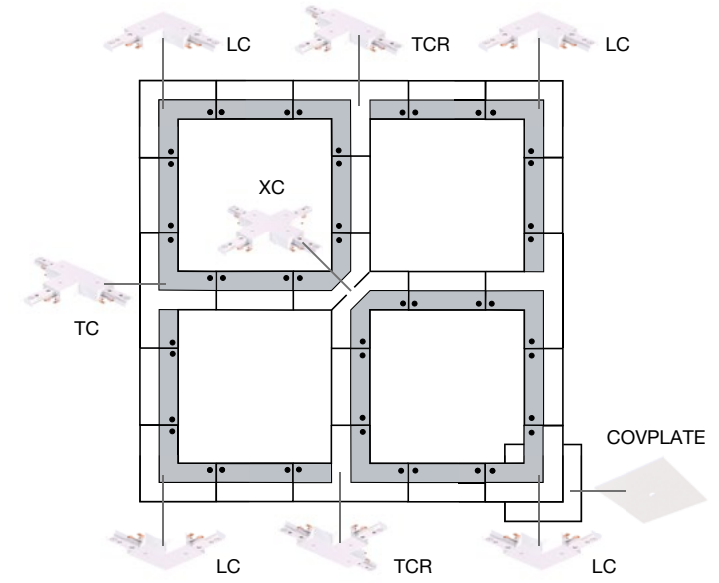
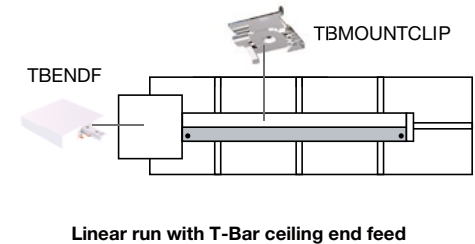
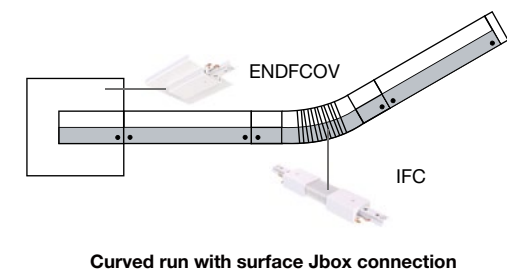
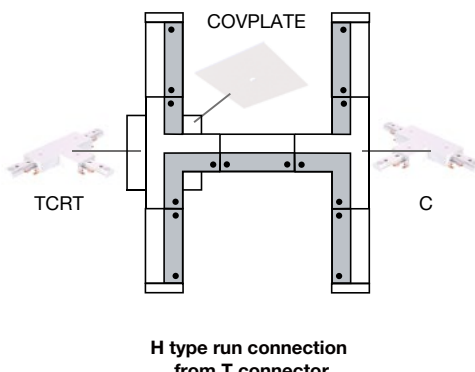
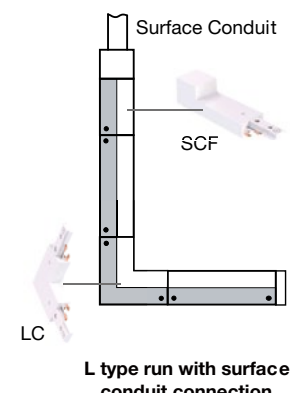
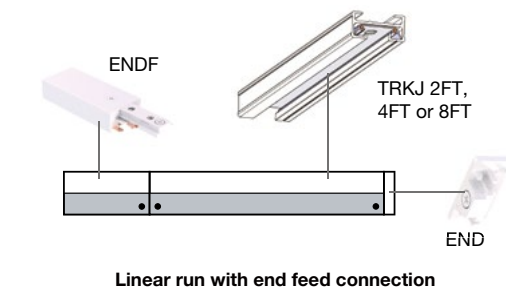


Type	J-Type
Dimensions	1-7/16" x 11/16" I-Beam Style
Finish	White, Black, Silver
Section	24", 48" and 96" (field cuttable)
Electrical Rating	20A at 120V, 60Hz. 2.4 kW Max. Power
Circuit	Single Circuit
Dimming	120V
Surface Mount	✓
Pendant Mount	✓
T-Bar Installation	✓
Fixture Series Compatibility	ATOM, ORBIT

TRACK SYSTEM INSTALLATIONS PROPOSAL (top plan view)

Shaded area: Hot side of track system

 : Straight section of track (TRKJ/xx/1C/yy)
 : End Cap of track section (TRKJ/END/1C/yy)



RETAIL SPACES

- Clothing Stores
- Furniture Shops
- Designer Spaces
- Showrooms



RESIDENTIAL

- Kitchens & Dining Rooms
- Living Rooms
- Attics & Cellars
- Home Cinemas



HOSPITALITY

- Restaurants
- Coffee Shops
- Hotel Lobbies & Dining Areas
- Convention Rooms



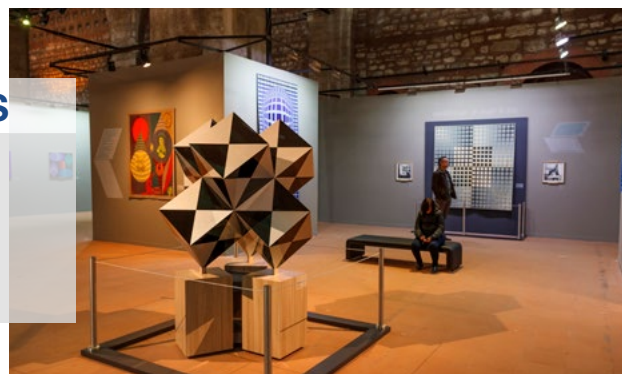
OFFICES

- Lobbies
- Break Lounges
- Executive Offices
- Foyers
- Conference Rooms
- Open Offices



PUBLIC FACILITIES

- Museums
- Galleries
- Community Centers
- Libraries



TRACK LIGHTING SELECTION GUIDE



Size	S	S, M, L
Aperture	2"	2", 3", 4"
Applications		
Retail	● ● ●	● ● ●
Residential	● ● ●	● ● ●
Hospitality	● ● ●	● ● ●
Offices	● ● ●	● ● ●
Libraries and Museums	● ● ●	● ● ●
Specifications		
Power	7 / 11W	7 / 10W, 15 / 20W, 30 / 40W
CCT	27K / 30K / 35K / 40K	27K / 30K / 35K / 40K
CRI (min.)	90	92
SDCM LED binning (max.)	3-Steps	2-Steps
Lumen @30K	700 / 1100 lm	Selectable 700 / 1000lm, 1500 / 1900lm, 2850 / 3800lm
Efficacy @30K	102 / 98 LPW	100 / 95 / 100 LPW
Beam	NR 25°, FL 35°	SP 15°, NR 25°, FL 35°
Max CBCP	3800 / 5300	7900 / 21000 / 32000
Accessories	Honey Comb, Square, Color and CCT Shift lenses	Hoeny Comb, Linear Spread, Solite , Square and CCT Shift lenses
Wall Wash	✓	✓
Snoot	✓	✓
Barn Door	✓	✓
Track Compatibility	H, J, L	H, J, L
Canopy Mounting	✓	✓
Dimming Type	ELV / Triac	ELV / Triac
Dimming Level	Down to 10% (min.)	Down to 5% (min.)
Listing	ETL Dry locations	ETL Dry locations
Lifetime	50,000hrs	50,000hrs
Warranty	5yrs	5yrs
Rotation	350°	350°
Tilt	90°	120°
Special Features		
SelectDrive		✓
Assembled in the USA	✓	✓



GREENCREATIVE

Your Partner for Professional Lighting Solutions

