



WARNING

- Installation, service, and maintenance of luminaries should be performed by a qualified licensed electrician.
- Install this product in accordance with country, regional and local laws and regulations.

CAUTION

- Do not use an electric generator to test the fixture.
- To reduce the risk of shock and fixture failure, do not install the fixture during inclement weather.
- In the event of smoke or fire, turn off power to the fixture and contact a licensed electrician.
- To properly ground the fixture, make sure the ground wire is connected to the fixture back plate.
- Use minimum 75° supply conductors.
- Fixture must be installed a minimum of 6' 6" above the ground.

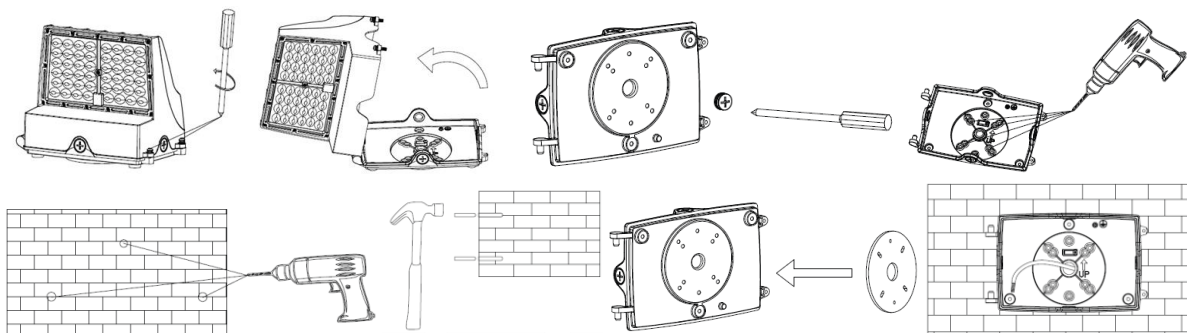
NOTICE

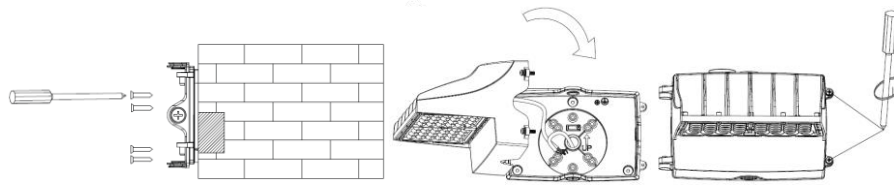
- Suitable for outdoor use.

Installation Instructions

Wiring Through Back of Unit

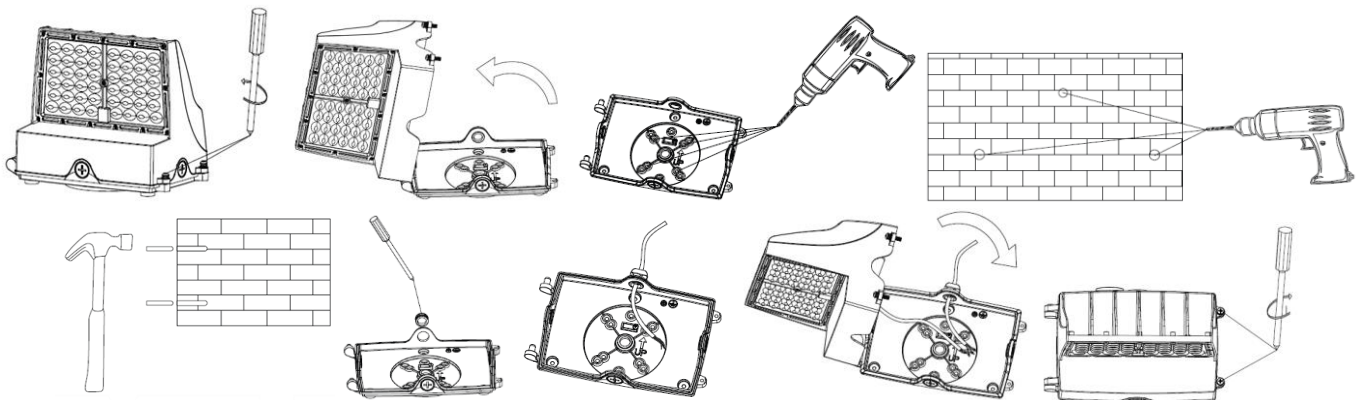
- Unscrew the screws on the back plate. Open the fixture and separate the fixture from the back plate.
- Unscrew the center plug on the back plate to allow access for the incoming power leads.
- Drill the mounting holes on the back plate using an electric drill.
- Drill the corresponding mounting holes in the mounting surface.
- Hammer the rubber expansion plugs into the mounting holes in the mounting surface.
- Position the gasket between the back plate and the mounting surface.
- Position the back plate on the mounting surface and feed the incoming power leads through the center hole.
- Screw the back plate to the mounting surface making sure the incoming power leads are protruding through the center hole.
- Make all the appropriate wiring connections:
 - L/Line: Black/Brown
 - N/Neutral: White/Blue
 - G/Ground: Green/Yellow-Green
- Re-attach the fixture to the back plate and tighten the screws to secure the fixture to the back plate.
- Power on the luminaire to verify proper operation.





Wiring Through Top of Unit

- Unscrew the screws on the back plate. Open the fixture and separate the fixture from the back plate.
- Drill the mounting holes on the back plate using an electric drill.
- Drill the corresponding mounting holes in the mounting surface.
- Hammer the rubber expansion plugs into the mounting holes in the mounting surface.
- Remove the 1/2" plug on the top side of the back plate.
- Feed the incoming power leads through the top hole of the back plate.
- Position the back plate on the mounting surface and screw the back plate to the mounting surface.
- Make all the appropriate wiring connections:
 - L/Line: Black/Brown
 - N/Neutral: White/Blue
 - G/Ground: Green/Yellow-Green
- Use a waterproof cord connector nut (supplied by others) to secure the cord to fixture.
- Re-attach the fixture to the back plate and tighten the screws to secure the fixture to the back plate.
- Power on the luminaire to verify proper operation.



⚠ WARNING

- Before installing, servicing, or performing routine maintenance upon this equipment, follow these general precautions.
- To reduce the risk of death, personal injury, or property damage from fire, electric shock, falling parts, cuts/abrasions, and other hazards, read all warnings and instructions included with and on the fixture box and all fixture labels.



- Proper grounding is required to ensure safety.
- Power must be turned off at the breaker before installation or maintenance.
- This product must be installed in accordance with the applicable installation code by a person familiar with the construction and operation of the product and the hazards involved.
- Wear gloves and eye protection at all times while installing, servicing, or performing maintenance on the luminaire, and avoid direct eye exposure to the light source while it is on.
- To prevent wiring damage or abrasion, do not expose wiring to edges of sheet metal or other sharp objects.
- Do not install damaged product. Inspect luminaire for damage that may have occurred during transit. If damaged, contact the manufacturer immediately.
- These instructions do not purport to cover all details or variations in equipment nor to provide every possible contingency to meet in connection with installation, operation, or maintenance. Should further information be desired or should particular problems arise which are not covered sufficiently for the purchaser's or owner's purposes, contact the manufacturer.

⚠ ADVERTENCIA

- Antes de instalar, reparar o realizar el mantenimiento de rutina de este equipo, siga estas precauciones generales.
- Para reducir el riesgo de muerte, lesiones personales o daños a la propiedad por fuego, descarga eléctrica, caída de piezas, cortes / abrasiones y otros peligros, lea todas las advertencias y instrucciones incluidas con y en la caja del dispositivo y todas las etiquetas del dispositivo.
- Se requiere una conexión a tierra adecuada para garantizar la seguridad.
- Se debe apagar la energía en el disyuntor antes de la instalación o el mantenimiento.
- Este producto debe ser instalado de acuerdo con el código de instalación aplicable por una persona familiarizada con la construcción y operación del producto y los peligros involucrados.
- Utilice guantes y protección para los ojos en todo momento durante la instalación, el servicio o el mantenimiento de la luminaria, y evite la exposición directa de los ojos a la fuente de luz mientras está encendida.
- Para evitar daños o abrasiones en el cableado, no exponga el cableado a bordes de láminas de metal u otros objetos afilados.
- No instale un producto dañado. Inspeccione la luminaria en busca de daños que puedan haber ocurrido durante el tránsito. Si está dañado, comuníquese con el fabricante de inmediato.
- Estas instrucciones no pretenden cubrir todos los detalles o variaciones en el equipo ni proporcionar todas las posibles contingencias a cumplir en relación con la instalación, operación o mantenimiento. Si desea obtener más información o si surgen problemas particulares que no están suficientemente cubiertos para los propósitos del comprador o propietario, comuníquese con el fabricante.