

**DESCRIPTION**

Featuring selectable wattage that allow you to adjust the light output as needed, this LED wall pack has two rotatable LED panels that allow you to aim the light exactly where needed.

**FEATURES**

- Delivers up to 164 LPW depending on the wattage selected
- Optics rotate 350 degrees in each direction
- Replaces 400W metal halide fixtures
- Lumen output varies depending on the wattage selected; see Selectable Table for full breakdown
- 0-10V dimming; see Compatible Dimmers section for full list of compatible dimmers
- Wattage is adjusted via switch inside of fixture; see installation instructions for more information

**LISTINGS**

- IP65 Rated
- UL Listed for wet locations
- IK10
- DesignLights Consortium® 5.1 Premium - meets the requirements for the highest DLC qualification for efficacy and lumen maintenance; DLC PN - PLTSN551122

**PERFORMANCE**

- CRI: >70
- CCT: 5000K
- LED L70 Life Hours: 160,000 hours
- Bridgelux LEDs
- BUG: B4-U0-G1

**ELECTRICAL**

- THD: ≤ 20%
- Power Factor: ≥ 0.9
- Input Voltage: 120-277V
- Surge Protection: 6kV

**THERMAL**

- -40°F to 113°F (-40°C to 45°C) operating temperature

**CONSTRUCTION**

- Die-cast aluminum housing with bronze finish
- Non-yellowing PC lens

project name	type
catalog number	
comments	voltage
approved by	date



**WARRANTY**

- 5 year limited warranty; see [pltsolutions.com](http://pltsolutions.com) for warranty details

**APPLICATIONS**

- Security Lighting
- Entrance Lighting
- Landscape Lighting
- Up or Down Lighting
- Wall Washing

# PERFORMANCE SUMMARY

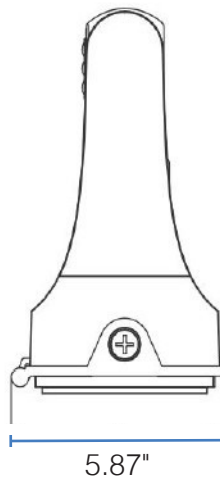
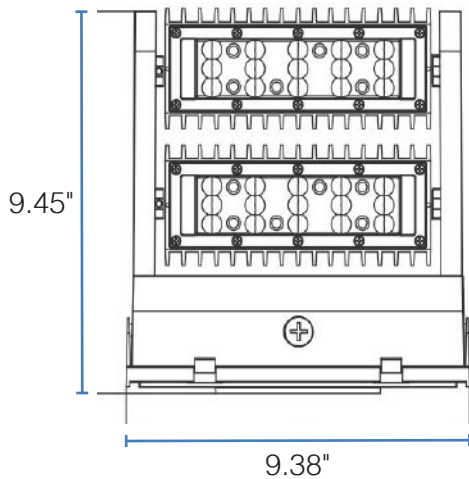
Item #	Watts*	CRI	CCT*	Lens	Dimming	Voltage	Replaces	DLC #	DLC Level
PLT-12490	80W/ 100W/ 120W	>70	5000K	PC	0-10V	120-277V	MH400	PLTSN551122	5.1 Premium

\* See Selectable Table for full breakdown

## SELECTABLE TABLE

Wattage	CCT	Lumen	Efficacy
40	5000K	6548	164
60	5000K	9668	161
80	5000K	12,411	155
100	5000K	14,865	149
120	5000K	16,526	138

## DIMENSIONS



### DIMENSIONS

Length: 9.45"

Height: 5.87"

Width: 9.38"

Weight: 6.9 lb

## PHOTOMETRICS

Luminous Intensity Distribution Curve

