

DESCRIPTION

Create direct and indirect lighting in a space with this LED high bay by PLT Solutions. The indirect light produced by this high-quality commercial fixture reduces eye strain and fatigue to establish a more comfortable environment. Rooms with enough indirect light avoid the cave effect that occurs when bulbs or fixtures direct light downward without reflecting enough light upward toward the ceiling.

FEATURES

- Up to 171 LPW depending on the color temperature and lighting type selected
- Provides over 39,000 combined lumens, with up to 9,066 lumens of indirect light to reduce cave effect; see Selectable Table for full breakdown
- Field installable motion sensor allows fixture to turn on or off automatically depending on the amount of activity detected in area; see Motion Sensor Specifications for more information
- Optional remote control available to adjust motion sensor settings; see PLTS-12281 for more information
- 6ft whip included
- Light output changes depending on the color temperature selected; see Selectable Table for full breakdown
- Switch between direct lighting only or direct and indirect lighting using switch on the bottom of the fixture; see installation instructions for more information
- Color temperature is adjusted via switch on the bottom of fixture; see installation instructions for more information

LISTINGS

- UL rated for wet locations
- IP65
- DesignLights Consortium® 5.1 Premium - meets the requirements for the highest DLC qualification for efficacy and lumen maintenance

PERFORMANCE

- CRI: >80
- CCT: 3000K, 4000K and 5000K
- Rated lifetime L70 LED life @ 25C ≥100,000 hours
- Philips Lumileds SMD LEDs

THERMAL

- -22°F to 122°F (-30°C to 50°C) operating temperature with motion sensor
- -40°F to 122°F (-40° to 50°C) operating temperature without motion sensor

ELECTRICAL

- THD: ≤20%
- Power Factor: ≥0.9
- Input Voltage: 120-277V

INSTALLATION

- Suspended mounting with included 10mm ring; see installation instructions for more information

CONSTRUCTION

- Slim, lightweight die-cast aluminum construction (8.16 lbs) allows for quick and easy installation
- PC lens protects LEDs while evenly distributing light
- Black or white finish

project name	type
catalog number	
comments	voltage
approved by	date



WARRANTY

- 3 year limited warranty; see pltsolutions.com for warranty details

APPLICATIONS

- Warehouses
- Manufacturing Plants
- Distribution Centers
- Grocery Stores
- Gymnasiums
- Indoor Recreational Facilities
- Cold Storage
- Big Box Retail
- Service Repair Centers

PERFORMANCE SUMMARY

Item #	Model	Watts*	CCT*	CRI	Dimming	Voltage	Replaces	Finish	DLC #	DLC Rating
PLT-12411	UFO	240	3000K/ 4000K/ 5000K	>80	0-10V	120-277V	MH1000	White	PLTSN1736151	5.1 Premium
PLT-12412	UFO	240	3000K/ 4000K/ 5000K	>80	0-10V	120-277V	MH1000	Black	PLTSN1736251	5.1 Premium

* See Selectable Table for full breakdown

SELECTABLE TABLE

Type of Lighting	Wattage	CCT	Lumens	Efficacy
Direct Lighting Only	180	3000K	28,311	157
		4000K	30,868	171
		5000K	30,821	171
Indirect Lighting Only	60	3000K	8031	134
		4000K	9066	151
		5000K	8787	146

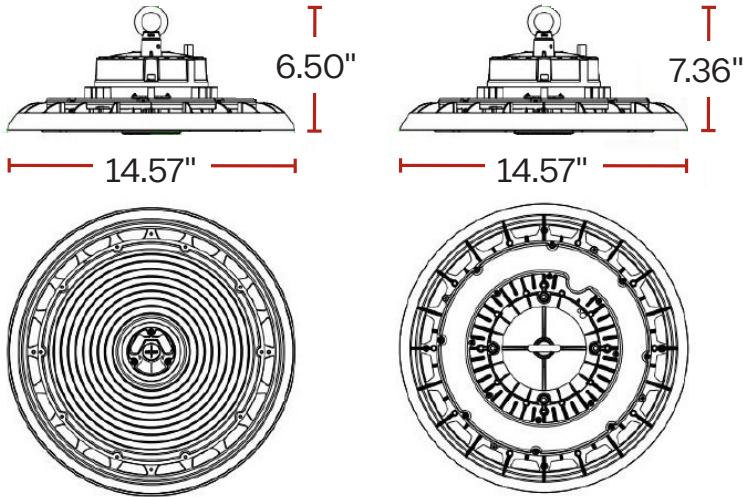
MOTION SENSOR SPECIFICATIONS

Operating Voltage	12V DC
Operating Current	30mA
Stand-by Power	<0.5W
Microwave Frequency	5.8GHz±75MHz
Microwave Power	<0.5mW
Standby Power	<0.5 Watt
Dimming	0-10V
Mounting Height	49.2' Max.
Detection Range	49.2' Max.
Detection Angle	360°
Operating Temperature	-30°F to 140°F (-30°C to 60°C)
IP Rating	IP65
Default Setting	<ul style="list-style-type: none"> Brightness: 100% Hold Time: 1 min Stand-by Dimming Level: 20% Stand-by Time: 1min Sensitivity: 100% Daylight: Disabled
Brightness**	0%-10% Quick Setting: 70%, 80%, 90%, 100%
Sensitivity**	20%, 50%, 75%, 100%
Hold Time**	10s, 1min, 5min, 10min, 30min
Stand-by Time**	1 min, 30 min, 60 min, +∞*
Stand-by Dimming Level**	10%, 20%, 30%, 50%
Certification	UL

*+∞ is unlimited stand-by time and the light control mode is the light control priority mode.

** Adjustable only with remote, see PLTS-12281 for more information

DIMENSIONS

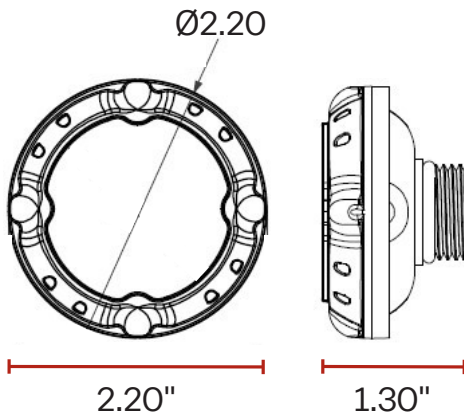


DIMENSIONS

Height with ring mount: 6.50"
 Height w/ ring mount & motion sensor: 7.36"
 Diameter: 14.57"
 Weight: 8.16 lbs

Ring Mount Thread Size: 10MM

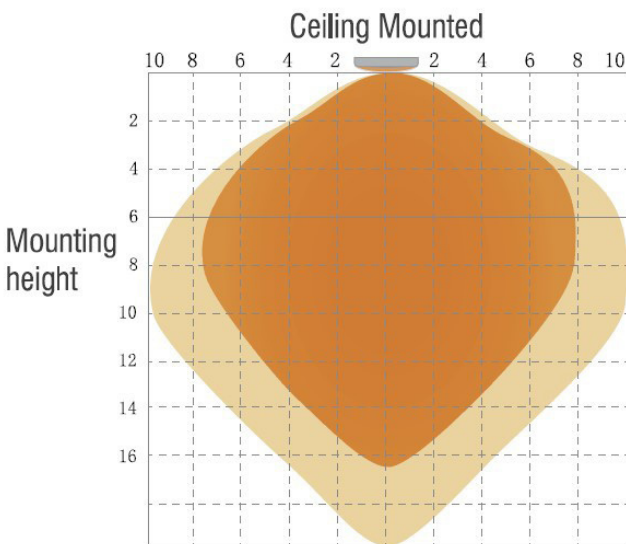
MOTION SENSOR DIMENSIONS



DIMENSIONS

Height: 1.30"
 Diameter: 2.20"

MOTION SENSOR COVERAGE



PHOTOMETRICS

