

**DESCRIPTION**

Create direct and indirect lighting in a space with this LED high bay by PLT Solutions. The indirect light produced by this high-quality commercial fixture reduces eye strain and fatigue to establish a more comfortable environment. Rooms with enough indirect light avoid the cave effect that occurs when bulbs or fixtures direct light downward without reflecting enough light upward toward the ceiling.

**FEATURES**

- Up to 171 LPW depending on the color temperature and lighting type selected
- Provides over 39,000 combined lumens, with up to 9,066 lumens of indirect light to reduce cave effect; see Selectable Table for full breakdown
- Field installable motion sensor allows fixture to turn on or off automatically depending on the amount of activity detected in area; see Motion Sensor Specifications for more information
- Optional remote control available to adjust motion sensor settings; see PLTS-12281 for more information
- 6ft whip included
- Light output changes depending on the color temperature selected; see Selectable Table for full breakdown
- Switch between direct lighting only or direct and indirect lighting using switch on the bottom of the fixture; see installation instructions for more information
- Color temperature is adjusted via switch on the bottom of fixture; see installation instructions for more information

**LISTINGS**

- UL rated for wet locations
- IP65
- DesignLights Consortium® 5.1 Premium - meets the requirements for the highest DLC qualification for efficacy and lumen maintenance

**PERFORMANCE**

- CRI: >80
- CCT: 3000K, 4000K and 5000K
- Rated lifetime L70 LED life @ 25C ≥100,000 hours
- Philips Lumileds SMD LEDs

**THERMAL**

- -22°F to 122°F (-30°C to 50°C) operating temperature with motion sensor
- -40°F to 122°F (-40° to 50°C) operating temperature without motion sensor

**ELECTRICAL**

- THD: ≤20%
- Power Factor: ≥0.9
- Input Voltage: 120-277V

**INSTALLATION**

- Suspended mounting with included 10mm ring; see installation instructions for more information

**CONSTRUCTION**

- Slim, lightweight die-cast aluminum construction (8.16 lbs) allows for quick and easy installation
- PC lens protects LEDs while evenly distributing light
- Black or white finish

project name	type
catalog number	
comments	voltage
approved by	date



**WARRANTY**

- 3 year limited warranty; see pltsolutions.com for warranty details

**APPLICATIONS**

- Warehouses
- Manufacturing Plants
- Distribution Centers
- Grocery Stores
- Gymnasiums
- Indoor Recreational Facilities
- Cold Storage
- Big Box Retail
- Service Repair Centers

## PERFORMANCE SUMMARY

Item #	Model	Watts*	CCT*	CRI	Dimming	Voltage	Replaces	Finish	DLC #	DLC Rating
PLT-12411	UFO	240	3000K/ 4000K/ 5000K	>80	0-10V	120-277V	MH1000	White	PLTSN1736151	5.1 Premium
PLT-12412	UFO	240	3000K/ 4000K/ 5000K	>80	0-10V	120-277V	MH1000	Black	PLTSN1736251	5.1 Premium

\* See Selectable Table for full breakdown

## SELECTABLE TABLE

Type of Lighting	Wattage	CCT	Lumens	Efficacy
Direct Lighting Only	180	3000K	28,311	157
		4000K	30,868	171
		5000K	30,821	171
Indirect Lighting Only	60	3000K	8031	134
		4000K	9066	151
		5000K	8787	146

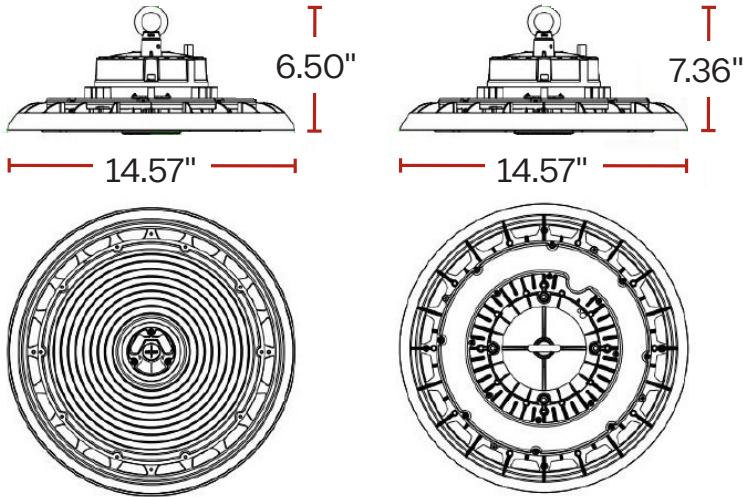
## MOTION SENSOR SPECIFICATIONS

<b>Operating Voltage</b>	12V DC
<b>Operating Current</b>	30mA
<b>Stand-by Power</b>	<0.5W
<b>Microwave Frequency</b>	5.8GHz±75MHz
<b>Microwave Power</b>	<0.5mW
<b>Standby Power</b>	<0.5 Watt
<b>Dimming</b>	0-10V
<b>Mounting Height</b>	49.2' Max.
<b>Detection Range</b>	49.2' Max.
<b>Detection Angle</b>	360°
<b>Operating Temperature</b>	-30°F to 140°F (-30°C to 60°C)
<b>IP Rating</b>	IP65
<b>Default Setting</b>	<ul style="list-style-type: none"> <li>Brightness: 100%</li> <li>Hold Time: 1 min</li> <li>Stand-by Dimming Level: 20%</li> <li>Stand-by Time: 1min</li> <li>Sensitivity: 100%</li> <li>Daylight: Disabled</li> </ul>
<b>Brightness**</b>	0%-10% Quick Setting: 70%, 80%, 90%, 100%
<b>Sensitivity**</b>	20%, 50%, 75%, 100%
<b>Hold Time**</b>	10s, 1min, 5min, 10min, 30min
<b>Stand-by Time**</b>	1 min, 30 min, 60 min, +∞*
<b>Stand-by Dimming Level**</b>	10%, 20%, 30%, 50%
<b>Certification</b>	UL

\*+∞ is unlimited stand-by time and the light control mode is the light control priority mode.

\*\* Adjustable only with remote, see PLTS-12281 for more information

## DIMENSIONS

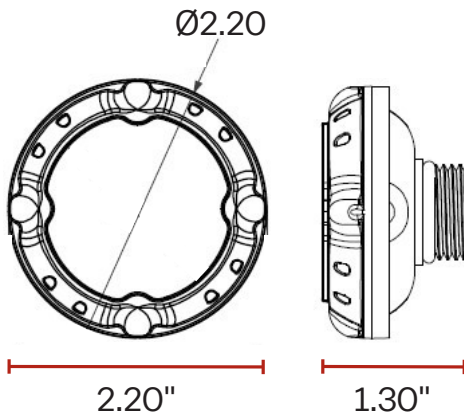


## DIMENSIONS

Height with ring mount: 6.50"  
 Height w/ ring mount & motion sensor: 7.36"  
 Diameter: 14.57"  
 Weight: 8.16 lbs

Ring Mount Thread Size: 10MM

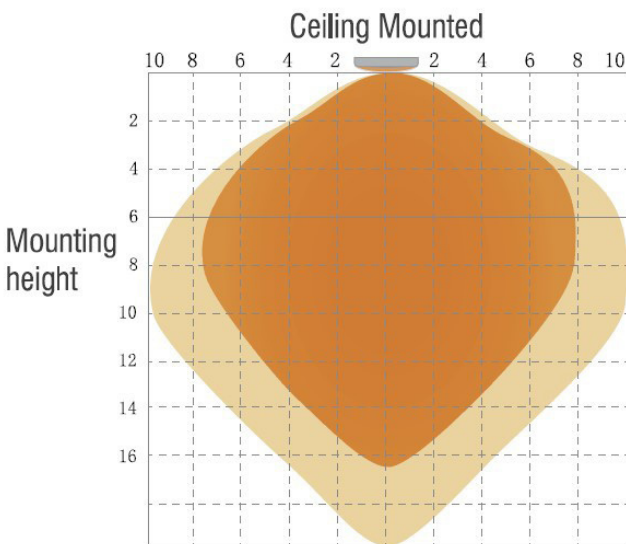
## MOTION SENSOR DIMENSIONS



## DIMENSIONS

Height: 1.30"  
 Diameter: 2.20"

## MOTION SENSOR COVERAGE



## PHOTOMETRICS

