

DESCRIPTION

Reduce energy and maintenance costs by replacing 400W metal halide bulbs with these more efficient 155W LED high bay retrofit bulbs.

FEATURES

- Delivers 130 LPW for highly efficient performance
- Mogul E39 base
- 0-10V dimming
- 4kV surge protection
- Safety cable included
- Ballasts, capacitors, and starters must be removed (bypassed) from fixture during installation; see installation instructions for more information

LISTINGS

- UL rated for dry locations
- Rated for use in enclosed fixtures
- CE
- RoHS
- FCC Part 15
- DesignLights Consortium® 5.1 Standard - meets the requirements for the highest DLC qualification for efficacy and lumen maintenance; DLC Part Number- PLTBH513

PERFORMANCE

- CRI: >80
- CCT: 4000K
- LED L70 Life Hours: ≥100,000 hours

THERMAL

- -40°F to 113°F (-40°C to 45°C) operating temperature

ELECTRICAL

- THD: <20%
- Power Factor: >0.9
- Input Voltage: 120-277V
- Surge Protection: 4kV
- Dimmable power supply (0-10V)

project name	type
catalog number	
comments	voltage
approved by	date



WARRANTY

- 3 year limited warranty; see pltsolutions.com for warranty details

APPLICATIONS

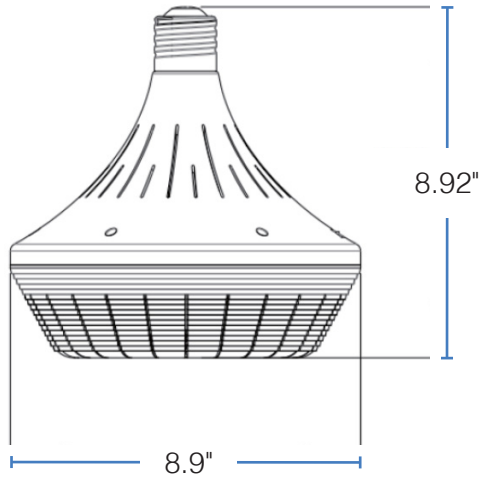
- Warehouses
- Factories
- Convention Centers
- Industrial Buildings

PERFORMANCE	Power Consumption	155 Watt
	Lumens	20150
	Efficacy (LPW)	130
	CRI	>80
	CCT	4000K
	LED L70 Life Hours	≥100,000
ELECTRICAL	Power Factor	>0.9
	THD	<20%
	Input Voltage	120-277V
CONSTRUCTION	Operating Temperature	-40°F to 113°F (-40°C to 45°C)
	Base	E39
LISTINGS	Certifications	UL Listed; DLC; CE; FCC
	Material Usage	RoHS - No mercury or lead
	Environment	Dry Location Rated; Enclosed Fixture Rated

PERFORMANCE SUMMARY

Item #	Watts	Lumens	LPW	Voltage	Replaces	CCT	CRI	Beam	LED L70 Life Hours	DLC Level	DLC #
PLTS-12073	155	20,150	130	120-277V	MH400	4000K	>80	120°	≥100,000	5.1 Standard	PLTBH513

DIMENSIONS

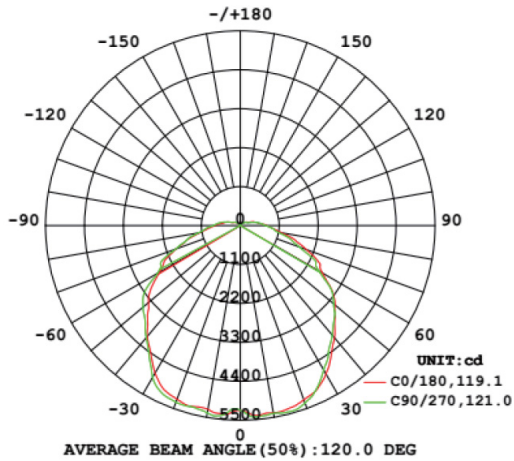


DIMENSIONS

Height: 8.92"

Width: 8.9"

PHOTOMETRICS



WARNINGS

- This lamp is not intended for use with emergency exits.
- This lamp is not intended for use with dimmers or remote controls.
- This lamp is suitable for fully enclosed luminaires with minimum lamp compartment dimensions of: 11.81" (L) x 11.81" (W) x 9.69" (H)