

DESCRIPTION

Providing one-for-one replacement of 250 Watt metal halide fixtures and 6 or 8 lamp fluorescent fixtures, this LED high bay features rotatable panels that allow you to direct the light output in the direction needed.

FEATURES

- Up to 134 LPW ultra-high efficiency delivers superior performance over older HID high bays
- LED panels rotate individually 135-degrees outwards
- 0-10V dimming; see Compatible Dimmers section for a full list of compatible dimmers.

LISTINGS

- UL rated for damp locations
- IP20

PERFORMANCE

- CRI: >80
- CCT: 5000K
- Rated lifetime L70: 50,000
- Philips Lumileds SMD LEDs

THERMAL

- -22°F to 122°F (-30°C to 50°C) operating temperature

ELECTRICAL

- THD: ≤20%
- Power Factor: ≥0.9
- Input Voltage: 120-277V
- Surge Protection: 6kV
- Dimmable power supply (0-10V)

INSTALLATION

- Designed for with suspended mounting with V-hooks and 3.28-foot chain included; see installation instructions for more information
- S/MH (C0/C180): 1.28
- S/MH (C90/C270): 1.28

CONSTRUCTION

- Iron housing with white finish
- PC matte lens protects LEDs while evenly distributing light

WARRANTY

- 5 year limited warranty; see pltsolutions.com for warranty details

project name	type
catalog number	
comments	voltage
approved by	date



APPLICATIONS

- Warehouses
- Manufacturing Plants
- Distribution Centers
- Grocery Stores
- Gymnasiums
- Indoor Recreational Facilities
- Cold Storage
- Big Box Retail
- Service Repair Centers

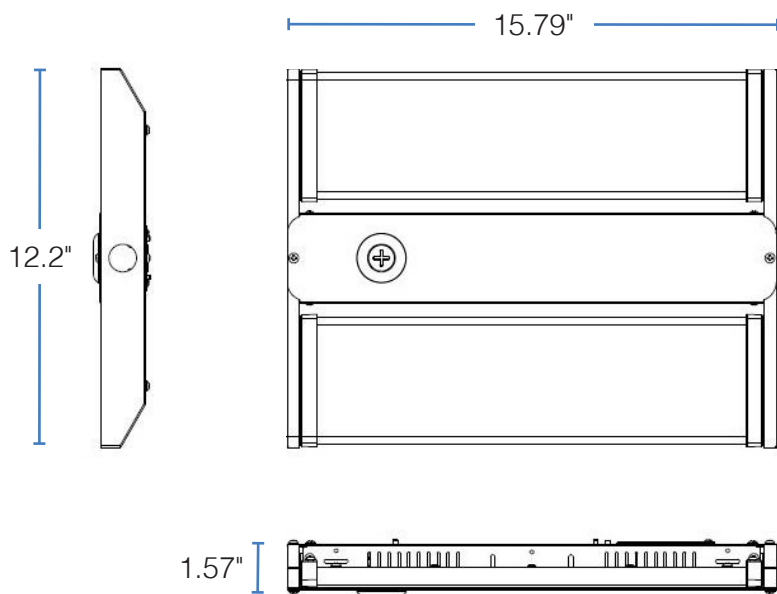
PERFORMANCE SUMMARY

Item #	Model	Watts	Lumens	LPW	CCT	CRI	Dimming	Voltage	Replaces
PLT-12414	Linear	110W	14,686	134	5000K	>80	0-10V	120-277V	MH250

COMPATIBLE DIMMERS

Brand	Model
Lutron	NTSTV-DV
Leviton	DS710-10Z / IP710
Legrand	RH4FBL3PW

DIMENSIONS



DIMENSIONS

Length: 15.79"
 Height: 1.57"
 Width: 12.20"
 Weight: 4.52 lb

PHOTOMETRICS

Luminous Intensity Distribution Curve

