

**DESCRIPTION**

Improve security lighting around building perimeters by replacing existing metal halide fixtures with these more efficient LED wall packs.

**FEATURES**

- Full cutoff design aims all light straight down, eliminating light pollution and reducing glare
- Replaces 175W metal halide fixtures
- 0-10V dimming

**LISTINGS**

- IP65 Rated
- UL Listed for wet locations

**PERFORMANCE**

- CRI: >80
- CCT: 2200K
- Rated Lifetime L70: 50,000 hours
- Philips Lumileds SMD LEDs
- BUG: B2-U3-G4

**ELECTRICAL**

- THD: ≤ 20%
- Power Factor: ≥ 0.9
- Input Voltage: 120-277V
- Surge Protection: 6kV
- Dimmable power supply (0-10V)

**THERMAL**

- -40°F to 122°F (-40°C to 50°C) operating temperature

**CONSTRUCTION**

- Die-cast aluminum housing with bronze finish
- Polycarbonate lens

**WARRANTY**

- 5 year prorated warranty; see [pltsolutions.com](http://pltsolutions.com) for warranty details

project name	type
catalog number	
comments	voltage
approved by	date



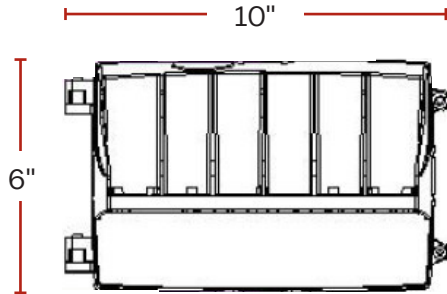
**APPLICATIONS**

- Security Lighting
- Pedestrian Lighting
- Parking Areas

# PERFORMANCE SUMMARY

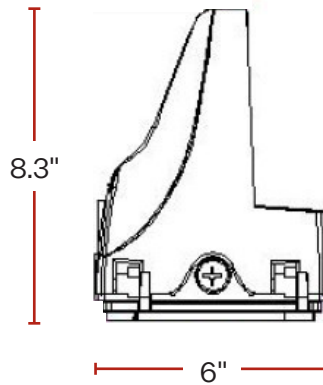
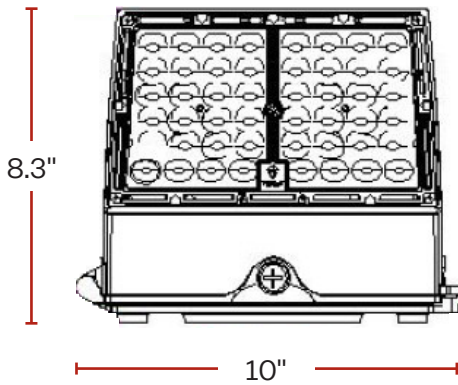
Item #	Watts	Lumens	LPW	CRI	CCT	Lens	Dimming	Voltage	Replaces
PLTS-12310	60	6000	100	>80	2200K	Polycarbonate	0-10V	120-277	MH175W

## DIMENSIONS



### DIMENSIONS

Height: 6"  
 Width: 10"  
 Depth: 8.3"  
 Weight: 5.07 lbs



## PHOTOMETRICS

